

FREE

Subscribers to Lancaster Farming will receive one advertisement free each month in our Mail Box Market. Subscribers using the Mail Box Market will be governed by the following rules:
 Limit your advertisement to 20 words, all advertisements must be in our hands by Thursday noon or same will be held over for next week's paper, no business advertisements accepted

For Sale - 1973 Plymouth Fury II, 4 dr., fully equipped, phone 717-665-6149.

For Sale - Four good Udered Holstein cows, averaging 65 lbs. of milk a day, 1 Reg. predicted 19,000 lbs. of milk, \$700, 3 grades 500, 550 & 650. All are sound. Arnold Acres, R2, Lebanon, phone 717-272-9973 or 717-272-8078.

For Sale - One pair of peacocks, phone 215-445-6947.

For Sale - Holstein bull, Dam at 3 yrs.; 25,578M, 4.8 test, 1,234 fat; Next Dam: records to 1,132 fat. Call collect 814-349-5846.

For Sale - 2,000 gal. tank; 8-hole Smidley hog feeder. Benuel M. Fisher, Peters Rd., R2, New Holland, Pa.

For Sale - 10 started bull calves, some castrated and

Mail Box Market

dehorned; Dry ear corn. 717-896-3504.

For Sale - 45 J.D. Square Back Combine, 12' header & 2-row Cornhead, good condition, \$5000. 717-225-3194.

For Sale - Int. No. 16 harvester, good condition. 717-687-6037.

For Sale - Five grade Holstein heifers, due to freshen in 4 to 6 weeks, blood tested and T.B. tested. 717-632-1246.

Wanted - Young, handy weight work horse or mule in sound condition, state approximate age and price. Apply to John M. Mark, R1, Denver, Pa. 17517.

For Sale - Fox Model BHA hopper blower, \$400. 717-656-7013.

For Sale - Angus bull, service age, blood tested. 215-269-3442.

Want to Buy - Used 24' elevator in good operating condition. Albert Oglesby, Colora, MD 301-658-6430 after 6 p.m.

For Sale - Two Hereford beef cows with calves. 717-367-2510.

For Sale - Four Hereford steers & two black white-face steers, approx. weight 500 lbs., \$160 ea.; Five Angus steers, approx. weight 400 lbs., \$120 ea. 717-354-7861.

For Sale - Five purebred Poland China December boars which have been penned together. Cutting information is available on sire. Locust Land Farm, David Coble, 717-367-3283.

Mail Box Market

For Sale - Belt pulley and assembly for Int. or Farnall M - 450 - 400 - 560. Christ B. Stoltzfus, 2 miles below Symrna.

For Sale - 2 Simmental-Holstein cross heifers, 6 mo. and 2 wks. or age. 814-667-2018 after 9 p.m.

For Sale - 17' x 40' Harvestore silo, \$3000. Isaac S. Zook, Gordonville, along Harvest Drive, 1/2 mile south of Intercourse.

For Sale - Pressure and open tanks; I beams; elevator; augers; caterpillar; greasers; metal pans; lumber; pipe; buckets; lavatory; and welder. 717-653-4264.

For Sale - 1974 Chevrolet custom deluxe 1/2 ton pickup truck. 717-354-0432.

For Sale - 45 gal. gas water heater, in good condition. Joseph K. Glick, R3, Quarryville, 1 mi. SW of Georgetown.

For Sale - Best offer, watermelon cooler; Ice cream freezer, 4 double doors, compressor, 6 ft. vegetable cooler with compressor. 717-665-7471.

For Sale - 16 ton ear corn \$75.00 per ton. River Hill Rd. near Pequea, 717-872-7679.

Wanted - Liquid mineral tank with 2 wheels. Write to Jonathan S. Esh, Ronks R1, Box 400, Pa.

For Sale - Poultry water medicator, auto. water troughs, plastic coated, egg baskets, priced to sell. 717-442-8317.

For Sale - Jamesway silo

classified ads

PHONE 717-394-3047 or 717-626-2191

Mail Box Market

unloader for 14 ft. silo. Also 50 gal. electric water heater, both in good condition. Elam F. King, 1/2 mile North of Gap, on Denlinger Road.

For Sale - 2 new round hay racks to be sold at David Good's Sale on Wed. Aug. 20 located 1/2 mile north of Route 23 on North Maple Ave. in Leola, Lancaster Co.

For Sale - 1000 lb. 2 year old Heifer, very good for beef, 30 cents per lb. 717-548-3196.

For Sale - Set of harvester knives for New Holland 717 Harvester. 717-733-8297.

Wanted - Good used Ashley or Rite-Way wood stove for shop. 215-445-6950.

Wanted - 200 ft. of used 1" galv. pipe. Reuben B. Fisher, Paradise R1, Box 371A, 17562.

For Sale - Morrill wheel rake \$215.; 1967 VW Square back \$300. Wanted - 3 pt. rotary hoe and 3 pt. post hole digger. 717-872-5712.

For Sale - Ford 10 ft. Flex-O hitch transport disc, 2 Reg. Holstein Heifers due to freshen this month. 215-593-6434.

For Sale - Rebuilt roller bearing handy weight spring wagon. Elmer F. Fisher, Pond Road, Ronks, Pa. 1 mile Northwest of Intercourse.

Mail Box Market

For Sale - 2A Bearcat Hammermill, also sawed Locust Posts. 717-354-7974.

For Sale - One Grove Deluxe 2 beater forage wagon, one Allis Chalmers blower. 717-548-2713 or 548-2462.

For Sale - 2 Speedy corn cribs with 1200 bushels capacity each. Also, a New Idea mounted corn picker. For information Call 717-354-5821.

For Sale - 69 Ford 250 pickup, dark green \$775. Gehl harvester, 2 row head, International 549 truck engine, road range transmission. 717-866-2091.

Wanted - Posthole digger, wheel rake, gravity box, used 2"x6"x16". Also for Sale 40" elec stove, 284-2424.

For Sale - Fully mounted one row Ford corn picker. In working order \$400. 215-756-6554.

For Sale - Even Flo center fill gooseneck for 14'-16' silo to fit on your blower pipe. P. Bittner, R1, Germansville, Pa. 215-767-7140.

For Sale - Calhoun 8 Ton front and rear unload forage wagon. Int. 2 pr. pull type husker. 215-756-6150.

For Sale - 1966 Int. CO4000, Cab over sleeper 238 Detroit, 10 speed, full screw, new paint, excellent condition, price \$4500. 717-437-2721.

Mail Box Market

For Sale - Acetylene generator with gauges and carbide, best offer. Wanted - Small lot, one to ten shares of Blue Ball National Bank stock. 717-467-3628.

Wanted - 10 or 12 can top loading milk cooler, must be in good condition. Prefer coils in water front and back. Write John H. Miller, R1, Box 428, Wyoming, Del. 19934.

For Sale - 30 Big Dutchman 10 hole front roll-away nests for belt collector. 717-626-7675.

For Sale - 5000 tobacco lath, 2 sets 20 ft. single tobacco ladders. Phone 717-367-3821.

Wanted to Buy - Stove top dryer in good condition. 215-445-5688 or write S. Hartman, R1, Narvon, Pa. 17555.

Wanted - M.F. 165 or 175 Diesel tractor with independent PTO For Sale International 3 bottom plow \$135, rear axle weights for Ford or Ferg. tractor \$40. 215-767-6048.

For Sale - Mobile Home, 35 ft. x 8 ft., with wheels, \$800. Also rustic barn lumber. Call 215-469-6439.

For Sale - 5 H.P. Electric motor single phase, totally enclosed \$150. good for unloader or barn cleaner. Dave Hallow, R2, Jersey Shore, Pa. 717-745-7407.

Call Dick Bomberger

CALL US - COULD BE WE HAVE IT

PICK UP YOUR . . .

- ★ TOBACCO SHEARS \$10.95 ea.
- ★ TOBACCO SPEARS \$6.49 ea.
- ★ CORN KNIVES \$2.75 ea.

THE GIANT DESTROYER

Kills Groundhogs ONLY \$1.49
 ALSO GOPHERS - MOLES - RATS, ETC.

USED EQUIPMENT

650 Forage Harvester w-2 Row Wide Head
 315 Combine w-Grain Head & Corn Head
 J.D. 105 Combine w-Corn Head & Grain Platform.

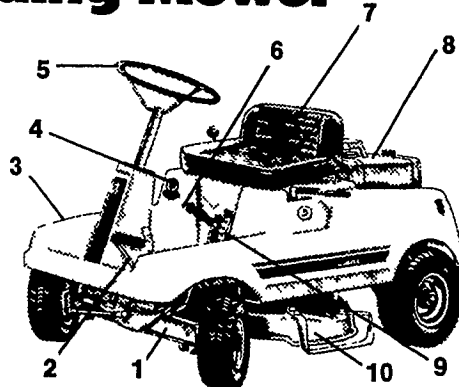
Lawn and Garden Headquarters

August Clearance Sale

Extra 10% Off Old Price

While They Last

10 things to look for before you buy a Riding Mower

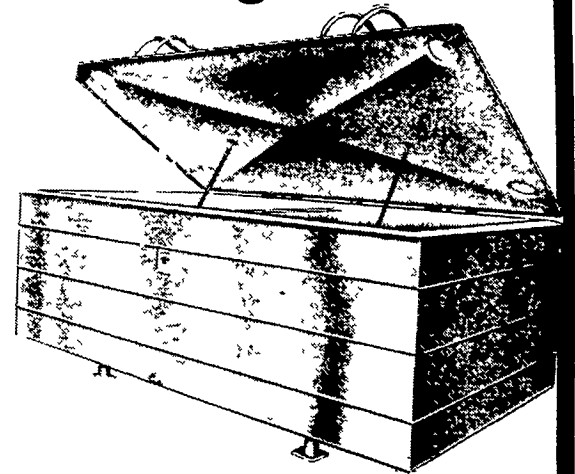


- 1 Tough automotive-type steel frame
 - 2 Easy stop-and-go pedal driving
 - 3 Rustproof molded fiberglass body
 - 4 Fast, dependable starts
 - 5 Shorter turning radius
 - 6 Stable center of gravity
 - 7 Comfort contoured seat
 - 8 Powerful high-torque engine
 - 9 Easy on-the-go blade height adjustment
 - 10 Meets safety approved standards
- To find all these features in one machine, look over all the International Harvester Cadet® Riding Mowers today

INTERNATIONAL HARVESTER



GIRTON Farm Milk Cooling Tanks



PRICED TO SELL GOOD USED BULK MILK TANKS

- (2) 300 Gal. Esco - Ea. \$400.
- (1) 350 Gal. Esco - \$425.
- (1) 425 Gal. Esco - \$300.
- (1) 425 Gal. Esco - \$500.
- (2) 400 Gal. Esco - Ea. \$350.
- 16-Can Can Cooler (like new) \$600.

RADIO CONTROLLED TRUCKS FOR BETTER SERVICE



C. B. HOOBER & SON

INTERCOURSE, PENNA.

768-8231

WE ARE NOW AN AUTHORIZED UPS STATION

