

# Boots & Saddles Horse Show Winners Announced

The Boots & Saddles Horse & Pony 4-H Club held a gymkhana on June 22 at the Fellenbaum farm. Dick & Sue McCoy were the judges for the day. Thirty nine members showed their horses and ponies. These members are now eligible for the County Roundup to be held on July 19 at the Lancaster Riding Club. The winners are as follows:

showing Archie B; 2nd - Brenda Blaxland showing Velvetation; 3rd - Karen Hinerdeer showing Kresge's Carnation.

**Sr. Grooming & Showmanship**  
1st - Mary Proctor showing Prissy Torero; 2nd - Dan Fellenbaum Jr. showing Jay's Rainy Day; 3rd - Lashon Bussell showing Jet's Miss Sandy.

**Pony Driving**  
1st - Karen Hinerdeer driving Kresge's Carnation.

**Dollar Bareback**  
1st - Kathy Van Aulen - riding Queen of Sheba; 2nd - Linda Ehrgood riding Leo's Best Buddy.

**Jr. Western Equitation**  
1st - George Metzler riding Diamond Bar Step; 2nd - Mike Rhineer riding Kara.

**Sr. Western Equitation**  
1st - Lashon Bussell riding Jet's Miss Sandy; 2nd - Dan Fellenbaum Jr. riding Jay's Rainy Day.

**Pony Pole Bending**  
1st - Lori Sammons riding Stardust; 2nd - Kathy Van Aulen riding Queen of Sheba.

**Horse Pole Bending**  
1st - Ray Carmean riding Ton of Trouble; 2nd - Sandy Hamilton riding Blue Shanadow.

**Egg & Spoon**  
1st - Elyse Wells riding Bills Squeekum; 2nd - Kathy Van Aulen riding Queen of Sheba.

**Pony Western Pleasure**

1st - Donna Sammons riding Archie B; 2nd - Doug Fellenbaum riding Sparky.

**Horse Western Pleasure**  
1st - George Metzler riding Diamond Bar Step; 2nd - Brenda Blaxland riding Velvetation.

**Pony Barrel Race**  
1st - Doug Fellenbaum riding Sparky; 2nd - Lori Sammons riding Stardust.

**Horse Barrel Race**  
1st - Ray Carmean riding Ton of Trouble; 2nd - Deb Carmean riding Trey's Baby.

**Pony Keyhole**  
1st - Doug Fellenbaum riding Sparky; 2nd - Lori Sammons riding Stardust.

**Horse Keyhole**  
1st - Deb Carmean riding Trey's Baby; 2nd - Sandy Hamilton riding Blue Shanadow.

**Hunter under Saddle**  
1st - Brenda Blaxland riding Velvetation; 2nd - Lashon Bussell riding Jet's Miss Sandy.

**Pony Scurry**  
1st - Lori Sammons riding Stardust; 2nd - Doug Fellenbaum riding Sparky.

**Hunt Seat Equitation**  
1st - Julie Schmook riding Gypsy Rose Supreme; 2nd - Lisa Emes riding Dustie Road.

**Crawl thru Barrel**  
1st - Ray Carmean riding Ton of Trouble; 2nd - Doug Fellenbaum riding Sparky.

**Break & Out**  
1st - Phil Young riding April Frost; 2nd - George Metzler riding Diamond Bar Step.

**Western Riding**  
1st - Sandy Hamilton riding Blue Shanadow; 2nd - Pam Sammons riding Trinket.

**Horse Scurry**  
1st - Sandy Hamilton riding Blue Shanadow; 2nd - Jessie Eaby riding Brandy.

**Pair Class**  
1st - Lori Sammons riding Stardust & Doug Fellenbaum riding Sparky; 2nd - Rosalind Falk riding Crossities Roper & Sharon Gernert riding King Bay Jr.

**Pony Trail**  
1st - Kathy Van Aulen riding Queen of Sheba; 2nd - Sharon Slein riding Brandy.

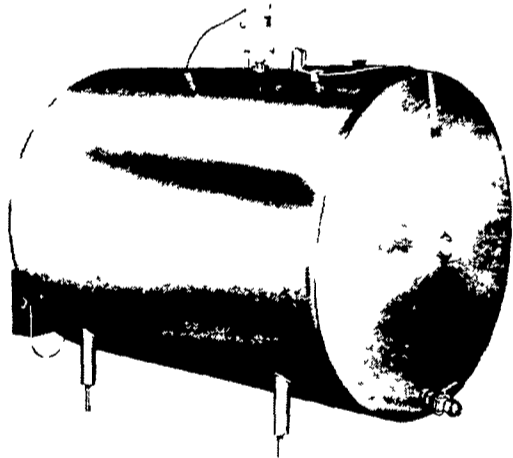
**Horse Trail**  
1st - George Metzler riding Diamond Bar Step; 2nd - Sharon Gernert riding King Bay Jr.

# AGWAY

# QUICK ACTION COOLING

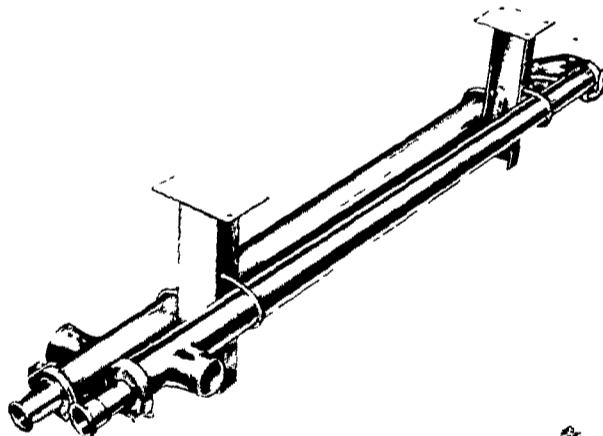
## YOUR PROFIT SAFEGUARD

Protect the quality and fresh flavor of your milk with modern cooling systems engineered, installed and serviced by Agway.



**SUNSET BULK COOLER**

The stainless steel evaporator welded directly to the inner liner puts maximum refrigerant flow in direct contact with milk cooling surface for fast cooling action and efficient compressor use. The Sunset is a chore saver too. Simply attach the automatic tank washer to the built-in clean-in-place spray ball and everything from pre-rinse to final sanitizing is handled with the flick of a switch. These enclosed atmospheric models come in capacities from 300 to 3000 gallons. All are constructed of nickel-bearing stainless steel for a lifetime of heavy use.



**FELDMEIER MULTI-TUBE PRE-COOLER**

Chills milk to 34°F before it hits the bulk tank. So you never chance the rancidity that can develop as warm milk is dumped into a cold tank. And you eliminate the need for continuous agitation, a contributing factor to rancidity and bacteria buildup. You'll save on electricity too. Agway can engineer a Feldmeier installation to fit any milk-house setup, using well water or even pond water for partial cooling. And for even more efficiency there's a Feldmeier Ice Builder or Chiller to fit your system.

For complete information and estimates on Sunset and Feldmeier installations engineered to fit your milkhouse, call Agway and ask for the Farm Systems Engineer to stop by.



See this equipment in operation at the Amos Rutt Farm, RD2, Quarryville. Call Agway Supply Center, Lancaster 717-397-4761 for further information.

## SUPPLY CENTER

1027 Dillerville Rd  
Lancaster, Pa  
717-397-4761

Open Friday Eve til 8 p m  
Mon thru Thurs 8 to 5  
Sat 8 to Noon

5th Street Highway  
Temple, Pa  
215-929-5794

Open Mon thru Fri 8 to 5  
Sat 8 to Noon



## Berks Grange Scores Leaders in Washington

by Florence A. Riegel  
Secretary,  
Pomona Grange No. 43

The President's veto of a recent agricultural act was vehemently criticized by members of the Berks County Pomona Grange at their quarterly meeting in the Shartlesville Grange Hall. The Grange passed a resolution expressing its extreme disappointment in the President and Congress for upholding the veto on the act that would have established a price floor for farm products. The act also would have set a parity price of 80 per cent. The secretary was instructed to send copies of the resolution to Congressman Gus Yatron of Reading and the National Grange Headquarters in Washington, D.C.

Fighting to keep the 53-year-old Capper-Volstead Act in its present form, the Grange wants Congressmen to consider the merits of the act and to ask their constituents as to their feelings about the act. While some members of Congress believe that the act can create a harmful monopoly, the Grange believes that its demise would abolish

cooperatives and would have serious effects on marketing farm products.

On the state level, the Berks Grange passed a resolution asking the legislature to enact legislation that would change a recent state supreme court ruling which makes lower courts consider a person's intoxication on alcohol or drugs when determining his degree of guilt. The Grange believes that a person's degree of guilt should not be influenced just because he would be drunk or on drugs.

The Pennsylvania Game Commission will be asked by the Grange to prohibit hunting on all unharvested corn, soybean, and sorghum fields without the advance permission of the owner or lessee.

The Grange wishes to take a stand on malpractice, but it must contact proper authorities before an opinion can be voiced.

A memorial service was held for C. Paul Leid and George Ruth, Past Pomona Masters and all other members who passed away during the past year.

## Markets are Focus For PennAg Meeting

Discussing the factors which influence the marketing of grain have been the main topics of PennAg Industries Association's Annual Grain Meetings for 97 years. The 98th to be held June 30 is no exception. "This year's meeting," states Phillip M. Spalding, York, PennAg President, "focuses on conditions of domestic and foreign markets plus information updates on this year's crops."

George Blankley, Jr., Bunge Corporation, Wayne, Penn. will discuss the outlook for this year's United

States grain exports. William J. Poorbaugh, President, Poorbaugh Grain, Inc., Lancaster will discuss what lies ahead in this year's domestic market.

The Grain Meeting which starts at 6:30 P.M. at the Sheraton - Conestoga Motor Inn, Lancaster will also include industry update reports from Mr. Spalding who is also President of York Flour Mills, and Donald W. Parke, Lancaster, Executive Vice President of PennAg.

One hundred fifty members of Pennsylvania's Grain industry are expected to attend.