

Strasburg Bank Forms Agri Loan Subsidiary

The First National Bank of Strasburg has formed an Agri-Loan Subsidiary. The Friendly First Farm Loan Corporation is a wholly owned subsidiary of the bank. Through the formation of this subsidiary the bank can obtain funds to loan to agri-businessmen from the Federal Intermediate Land Bank.

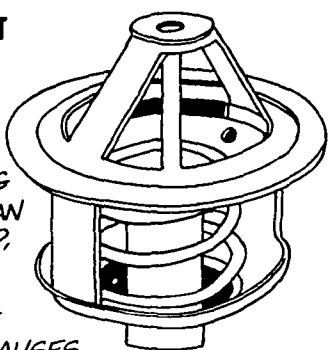
The president of The Friendly First Farm Loan Corporation is Robert L. Badger, a vice president of the bank. The Secretary-Treasurer is Darwin L. Mowery, vice president and cashier of the bank. The

Board of Directors of the new corporation in addition to Badger and Mowery are J. Lloyd Harnish, Chairman of the Board of the Bank, J. Robert Hess, Director of the bank and Donald H. Hofecker, Director and Executive Vice President of the bank.

Badger stated, "It is our feeling that the farmer is an essential person to our community and our country, and we must do our best to see that he gets the necessary financing to help him grow and prosper. The Friendly First Farm Loan Corporation is being formed to do just that."

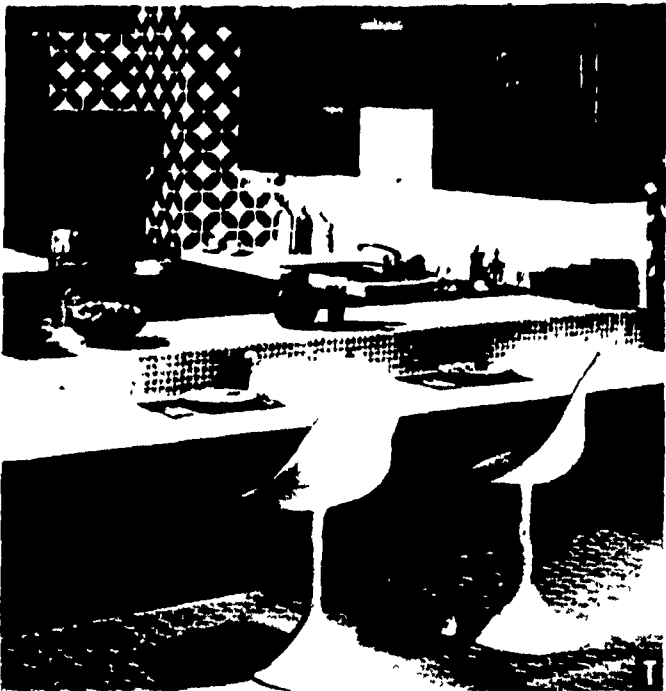
ENGINE THERMOSTAT

MAINTAINS PROPER TEMPERATURE OF THE COOLANT SHOULD BE CHECKED EACH FALL AND SPRING FOR OPENING AND CLOSING. DEFECT CAN RESULT IN SLOW WARMUP, DECREASE ENGINE EFFICIENCY, AND NOT ENOUGH INTERIOR HEAT. A NON-OPENING UNIT CAUSES ENGINE TO OVERHEAT



IDEAS AT HOME

TIPS ON REMODELING YOUR KITCHEN



One of the big trends on the home decorating scene today is kitchen remodeling. But the kitchen presents very special problems. Here, as in no other room of the home, practicality is every bit as important as good looks. As a result, all types of ceramic tiles are becoming increasingly popular. For in them beauty, usefulness and durability coexist.

When using ceramic tile don't think you have to stick to just one style of tile or color. An imaginative mix of sizes and shapes, colors and textures, can add great decorative appeal as well as practicality.

In this kitchen remodeled to accommodate a family snack bar for casual dining, four types of tiles were used. A prism patterned wall tile in terra cotta on white provides a decorative backdrop...plus an easy-to-clean grease and heat-proof shield...for the stove and elevated oven.

In keeping with the practicality, but in size contrast, work counters are surfaced with small mosaic tiles in bright orange. The snack counter in front is made of sparkling white square tiles which on the adjoining wall take a twist to form a diamond design. And the floor is honey-combed with hexagonal tiles which happily never need waxing.

Any kitchen so completely covered with a durable material like tile can keep its simple, subtle, stylish chic just about forever—a pretty hot idea when cooking up a great kitchen.

TRY A CLASSIFIED AD
PHONE
626-2191 or 394-3047

ARE HIGH
SUPPLEMENT PRICES
GETTING
YOU
DOWN



Switch to Mol-Mix liquid supplements. . .the money-saving way to insure maximum feed efficiency. Puts low-cost gains on your beef cattle and sheep, gets top production from your dairy herd.

Mol-Mix is a cane molasses-based supplement . . . a powerhouse of energy, protein, vitamins, and trace minerals. . . all in liquid form for quicker digestion and use. Mol-Mix is easier to handle, too. . . saves you trouble, time, and labor costs.

NOW FORTIFIED
with a new combination
of power-packed ingredients.

Distillers Solubles Phosphoric Acid
Condensed Fermented Corn Extractives
Ammonium Polyphosphate

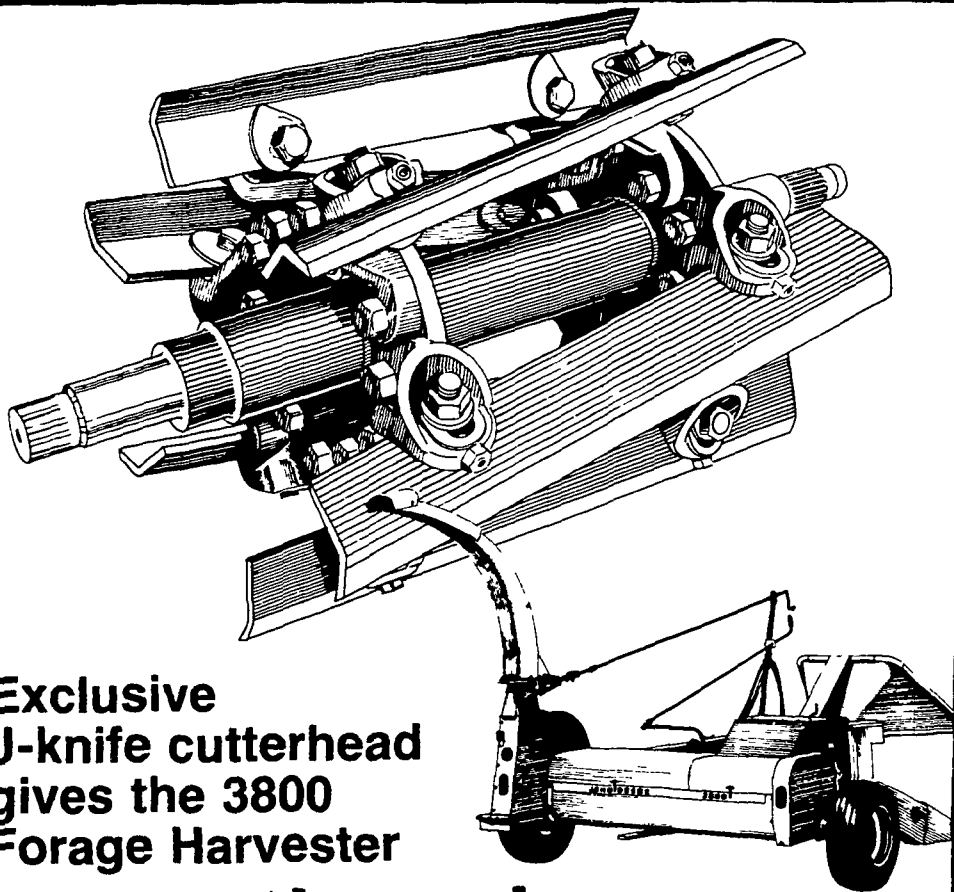
Join the crowd. Join the trend. Join
the growing number of satisfied
Mol-Mix customers.
For more information see us today.

JOHN Z. MARTIN

New Holland R#1

Phone 717-354-5848

Mol-Mix the
liquid supplements leader



Exclusive J-knife cutterhead gives the 3800 Forage Harvester the cutting edge

Built to match the bigger horsepower of today's tractors that's the heavy-duty John Deere 3800

J-knives propel chopped material out of the cutterhead like a paddle wheel . . . faster than conventional knives Result greater chopping efficiency

These exclusive J-knives are like those on John Deere Self-Propelled Harvesters So is

the slip-clutch-protected feed-roll drive and numerous other components

The 3800 has heavier drives to and from the gearcase, greater frame strength, and larger fan shaft and bearings (oil-enclosed drive) than other John Deere Pull-Types

Stop in soon for details on the 3800 and practical JDFF financing

M. S. YEARSLEY & SONS
West Chester 696-2990

SHOTZBERGER'S
Elm 665 2141



**ADAMSTOWN
EQUIPMENT INC.**
1101
[near Adamstown]
Phone |215| 484 4391

A. B. C. GROFF, INC.
New Holland 354 4191

LANDIS BROS. INC.
Lancaster 393-3906

NORTHCO SERV-O-MATIC DAIRY FEEDER

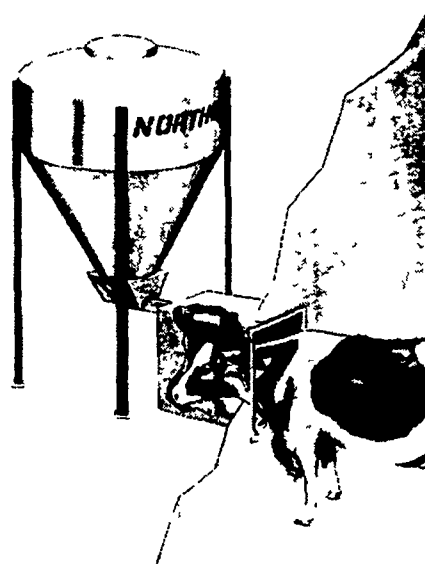
The "Magnet Feeder" That Feeds
Only Your TOP Producers

— BUNK FEEDERS —
 ACORN ROLL A TRAY Feeders
 ACORN Overhead Traveling Feeders
 ACORN 7' and 12' Auger Feeders
 ROTO FEEDERS (Lezy Susan)
 NORTHCO Rate Tube Feeders

— SILAGE & GRAIN HANDLING —
 ACORN Double Auger Silo Unloaders
 ACORN 10' Single Chain Conveyers
 ACORN 12' Single Chain Conveyers
 NORTHCO U Trough — Conveyers
 CARDINAL Elevators
 Big 56 Forage Blowers
 Multi Flo Silage Spreaders
 Vinyl and Steel Blower Pipe
 NORTHCO Silo Chute Heppers

— WATERBURY — FEEDERS —
 RITCHIE Livestock Waterers
 NORTHCO Serv-O-Matic w/Magnets
 WEAVERLINE Powered Silage Carts
 SILAGE FEED CARTS (Not Powered)
 ROLL A BOUT Hay Feeders
 IDEAL Round Cattle Feeders
 IDEAL Calf Creep Feeders
 IDEAL Hog Feeders
 TROJAN Hog Waterers
 Mineral & Salt Feeders
 IDEAL Storage Bins

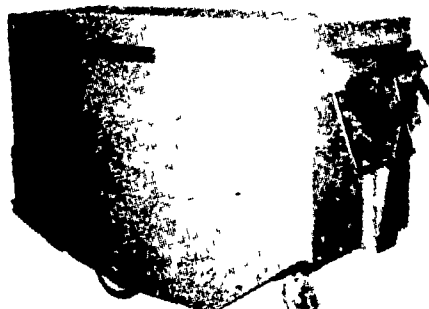
— MANURE HANDLING —
 S S Cable Barn Cleaners
 S S Cable Free Stall Cleaners
 S S Cable Cross Conveyers
 H D Chain Cross Conveyers
 Super 600 Chain Barn Cleaners
 H D Replacement Chain
 Nixeth Manure Pumps



— ELECTRIC POWER PLANTS —
\$50 to 150,000 watt
 PINCOR PTO Alternators
 Engine Driven (Portable)
 Garden Tractor Alternators
 KATOLIGHT PTO Alternators
 Automatic Power Packages

— ACORN BARN EQUIPMENT —
 Triple Reinforced Free Stalls
 Lever Stalls & Stanchions
 Comfort Stalls (4 types)
 Cow, Calf & Bull Pens
 KOZY KOMFORT Calf Pens
 H D Water Bowls
 Electric Cow Trainers
 Malleable Clamps
 Clamps On Tees (Vacuum — Water)
 BONITA Rubber Cow Mats
 AMERICAN WAY Ventilation Fans

— SPECIALTIES —
 MAC High Pressure Washers
 Goose-neck Trailers
 Portable Loading Chutes & Cereals
 Bells (dinner farm patio church)
 Ornamental Windmills
 Livestock Scales
 Pickup Truck Racks
 Cattle Head Gates
 Cattle Oilers
 Roller Mills
 Kemlite Glassboard



WEAVERLINE SELF-UNLOADING
SILAGE CART

RYDER SUPPLY CO.
P. O. Box 219, R.R. 8 (Falling Spring Rd.)
Chambersburg, Pa. 17201 Ph: 717-283-8111

Name _____
Address _____
Phone _____
 Have My Friendly Ryder Man Phone Me
 Send Literature Checked Above