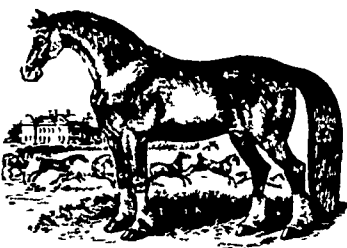




AUG. 5-11, 1974

The butterfly cruises the drowsy air.

Hay fever season begins this week . . . Robb Sagendorph started Yankee Magazine Aug. 5, 1935 . . . Third quarter of the Moon Aug. 10 . . . If the 10th is fine, expect a good autumn . . . Average length of days for week, 14 hours, 16 minutes . . . Ecuador earthquake, 6,000 dead, Aug. 5, 1949 . . . Most often it's the August weed that seeds the ground . . . "Small" present-size paper money issued Aug. 7, 1928 . . . First steam locomotive Aug. 9, 1831 . . . For fighting, men are praised, but children are punished.



**Home Hint:** Retain more meat juices and flavor by removing meat from the store wrappings as soon as possible. The wrapping absorbs juices and flavor and slows down cooling . . . *Riddle answer:* In the dictionary.

**OLD FARMER'S WEATHER FORECASTS**

**New England:** Intermittent rain and becoming cooler all week.  
**Greater New York-New Jersey:** Partly cloudy to start, then heavy rain; cloudy and becoming cooler latter part.  
**Middle Atlantic Coastal:** Week begins partly cloudy and hot, then light rain and cooler to end of week.  
**Southeast Coastal-Piedmont:** First part of week generally clear and hot; end of week rainy, light inland and heavy along coast.  
**Florida:** Steady rain all week in central and intermittent rain all week in north and south.  
**Upstate & Western N.Y.-Toronto & Montreal:** Light rain and warm to start, then fairly sunny and pleasant; heavy rain latter part.  
**Greater Ohio Valley:** Early week partly sunny and very hot; end of week rainy.  
**Deep South:** Scattered light rain for most of week; clear and hot by week's end.  
**Chicago and Southern Great Lakes:** Rain all week throughout region, heavy to start and again at midweek.  
**Northern Great Plains-Great Lakes:** Partly sunny and hot to midweek, then rain to end of week.  
**Central Great Plains:** Mostly sunny and hot at first, then showers in east; end of week cloudy and cooler.  
**Texas-Oklahoma:** Cloudy with rain along Gulf to start, then clear and hot; late week rain in north.  
**Rocky Mountain Region:** Rain all week except partly cloudy in north.  
**Southwest Desert:** Rain to start, then clearing; end of week clear with highs in low 100s.  
**Pacific Northwest:** Showers in north at first, then intermittent clouds; rain starting by week's end.  
**California:** Partly sunny and warm most of week; rain and cooler in north by weekend.

(All Rights Reserved, Yankee, Inc., Dublin, N.H. 05444)

**TRY A CLASSIFIED AD**

**VAN DALE**

**SCF - 1400 TRAVELING BUNK FEEDER**



The SCF-1400 traveling bunk feeder puts you on track to faster, more profitable operation. Delivers up to 40 tons per hour. Exclusive "snap-together" galvanized construction reduces erection time as much as 50 per cent. Adapts to any feeding need in barn or out-of-doors. Heavy-duty chain and construction means longer life. Large 14" troughs gives more capacity. See us today for all the facts.

**CALEB M. WENGER, INC.**

DRUMORE CENTER, RD1 Quarryville, Pa.  
PHONE 548-2116

**Leesport Livestock Auction**

July 31, 1974

**CATTLE 349.** Compared with last Wednesday's market, slaughter steers \$1 to \$3 lower. Slaughter cows \$2 to \$5 lower. Slaughter bullocks \$1.25 to \$2.75 lower. Slaughter heifers \$3 to \$5 lower. Choice 850-1000 lbs. slaughter steers 40.00-43.25, 960-1200 lbs. 42.75-46.00, individual at 46.75, Good 36.00-40.00, Standard 32.85-36.60, Utility 30.00-32.85. Choice slaughter heifers 36.75-39.85, Good 33.50-35.00, few Standard 30.25-33.25. Few High Cutter & Utility slaughter cows 29.00-30.35, Utility & Cutter 25.75-28.25, few Utility & Commercial 22.00-25.35, Canners 24.10-26.35, Shells down to 22.25. Few Good & Choice slaughter bullocks 38.00, 40.25, Good 34.10-37.50, Standard 32.50-35.75, few Utility 32.00-33.10. Yield Grade 1-2 1050-1685 lbs. slaughter bulls 31.00-36.85, individual 2325 lbs. at 39.25. Good & Choice 360-580 lbs. feeder steers 41.00-44.50, Good 500-900 lbs. 34.25-37.25, one lot Medium 984 lbs. at 32.25; Good 500-700 lbs. feeder heifers 30.50-35.50; one lot Choice 500 lbs. feeder bulls 41.00, Medium 500-800 lbs. 28.75-32.50.

**CALVES 146.** Supply included 60 percent farm calves. Vealers \$1 to \$10 higher. Good & Choice vealers 54.00-64.00, Standard 45.00-50.00, Utility 90-120 lbs. 35.00-45.00, 70-85 lbs. 25.00-35.00. Farm calves, holstein bulls 90-120 lbs. 39.00-52.00, few 150-300 lbs. 35.00-77.00; holstein heifers 90-120 lbs. 40.00-57.00.

**HOGS 181.** Barrows & Gilts \$1.50 to \$2 higher. US No. 1-3 200-240 lbs. barrows & gilts 38.75-39.25, No. 2-3 190-210 lbs. 37.35-38.35, No. 2-4 145-175 lbs. 30.00-32.00. US No. 1-3 300-550 lbs. sows 21.50-24.00. Boars 21.50-24.10.

**FEEDER PIGS 149.** Slow US No. 1-3 20-35 lbs. feeder pigs 7.50-15.00 per head, No. 1-3 35-50 lbs. 16.00-20.00, No. 1-3 60-100 lbs. 23.50-25.00 per head.

**Pa. Auction Summary**

Weekly summary  
19 Livestock Markets  
Week Ending July 26, 1974

**CATTLE 7216.** Compared with 7634 head last week, and 5918 head a year ago. Compared with last week's market, slaughter steers mostly \$1 to \$3 higher. Slaughter heifers steady \$2 higher. Slaughter cows \$1 to \$2.50 higher, most increase from mid week on. Slaughter bullocks mostly steady to \$1 higher. Slaughter bulls strong to \$2.50 higher.

**STEERS:** High Choice & Prime 45.00-47.00, Choice 43.75-45.50, Good 37.50-43.00, Standard 34.00-37.50, Utility 29.50-24.00. **HEIFERS:** Choice 38.85-40.85, Good 34.00-38.00, few Standard 30.00-34.00, few Utility 27.00-30.00. **COWS:** Utility & High Dressing Cutter 26.00-28.50, few 33.50, Cutter 24.50-27.00, Canners 23.00-25.00, Shells down to 18.00. **BULLOCKS:** Choice 34.00-37.50, Good 33.00-37.00, Standard 33.00-36.50, few Utility 30.50-32.75. **BULLS:** 1-2 1000-2000 lbs. 32.50-37.00. **FEEDER CATTLE:** Good & Choice 300-600 pounds feeder steers 38.00-42.00, Medium & Good 300-800 lbs. 30.00-35.50; Good 350-600 lbs. feeder heifers 28.00-35.00; Medium & Good 300-900 lbs. feeder bulls 27.50-33.50.

**CALVES 3678.** Compared with 4153 head last week, and

3820 head a year ago. Vealers \$2 to \$4 higher.

**VEALERS:** Prime 60.00-68.00, Choice 52.00-58.00, Good 44.00-51.00, Standard 37.00-44.00, Utility 90-120 pounds 27.00-35.00, 70-85 22.00-28.00. Farm calves active, holstein bulls 80-130 34.00-47.00; Holstein heifers 80-140 35.00-46.00; beef cross bulls & heifers 70-130 40.00-57.00.

**HOGS 7451.** Compared with 7218 head last week, and 6173 head a year ago. Barrows & Gilts highly uneven, \$5 higher to \$1 lower.

**BARROWS & GILTS:** 1-2 200-230 pounds 37.25-38.00, few 39.00, 1-3 300-240 36.25-37.25, 2-3 190-250 35.00-36.25, 2-4 240-300 29.75-32.50, 2-4 135-180 30.50-33.00. **SOWS:** 1-3 300-550 pounds 24.50-27.00, 2-3 325-700 22.00-24.75. Boars 18.00-23.00.

**FEEDER PIGS 1655.** Compared with 1830 head last week, and 1030 head a year ago. 1-3 20-35 pounds feeders pigs 8.00-16.00 per head, 1-3 35-50 lbs. 15.00-22.00, 1-3 50-100 lbs. 22.00-25.00, Utility 20-25 lbs. 6.00-10.00 per head.

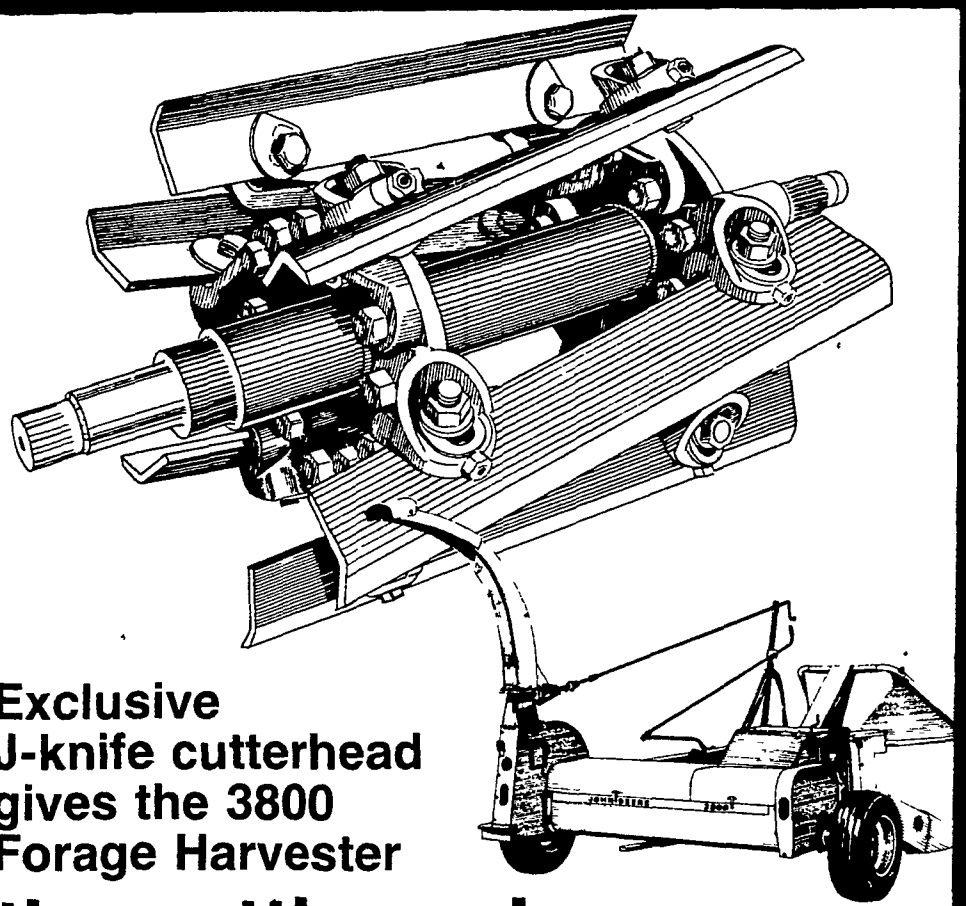
**SHEEP 1066.** Compared with 1119 head last week, and 1167 head a year ago. Spring slaughter lambs uneven, mostly \$1 to \$1.50 lower. Choice 70-100 pounds spring slaughter lambs 34.50-40.00, Good 60-100 30.00-37.00, Utility 40-80 lbs. 25.00-30.00. Slaughter ewes 7.00-14.00.

**MEMO HAY, STRAW and EAR CORN SALE EVERY MONDAY AT 11 A.M. New Holland Sales Stables, Inc. Phone 717-354-4341 Lloyd H. Kreider, Auct.**

Rugged Construction  
Solid Concrete Walls  
Steel Reinforced

**STAR SILOS**  
INTERNATIONAL  
STAR SILO ASSOCIATION, Inc.  
RD 1 MYERSTOWN PA 17067

DIAL (717)-866 5708 Write for FREE BOOKLET



**Exclusive J-knife cutterhead gives the 3800 Forage Harvester the cutting edge**

Built to match the bigger horsepower of today's tractors that's the heavy-duty John Deere 3800 J-knives propel chopped material out of the cutterhead like a paddle wheel . . . faster than conventional knives. Result greater chopping efficiency. These exclusive J-knives are like those on John Deere Self-Propelled Harvesters So is

the slip-clutch-protected feed-roll drive and numerous other components. The 3800 has heavier drives to and from the gearcase, greater frame strength, and larger fan shaft and bearings (oil-enclosed drive) than other John Deere Pull-Types. Stop in soon for details on the 3800 and practical JDFF financing.

**M. S. YEARSLEY & SONS** West Chester 696-2990  
**SHOTZBERGER'S** Elm 665 2141  
**ADAMSTOWN EQUIPMENT INC.** Mohnton, RD2 Pa 19540 (near Adamstown) Phone (215) 484 4391

**LANDIS BROS. INC.** Lancaster 393 3906  
**A. B. C. GROFF, INC.** New Holland 354-4191