

# Record Corn, Soybean Crops Predicted in '73

The USDA said Tuesday that farmers will harvest 9 percent more acres of corn next fall than in 1972 and 22 per cent more soybeans.

The crops, as livestock feed, are chief building blocks for the nation's supply of meat, milk and

eggs. Larger crops also will help replenish reserves to help meet growing export demands.

A record wheat crop, up 13 per cent from last year, was forecast. Exports have reduced reserves to the lowest level since 1967.

Based on the acreage inventory

as of July 1 and using average trends in yields, the department's Crop Reporting Board gave this outlook:

**Corn** — A total of 62,548,000 acres to be harvested for grain this year, with a possible record production of 5.9 billion bushels. That would compare with 57.3 million acres for grain in 1972 and a production of 5.553 billion bushels: The previous record was 5.641 billion bushels in 1971. The administration had sought at least 6.0 billion bushels from this year's crop.

**Soybeans** — A Total of 55,731,000 acres for harvest and a projected output of 1.588 billion bushels, compared with 45.8 million acres and a production of 1.283 billion bushels in 1972. The administration wanted at least 1.5 billion this year.

**Wheat** — A total of 53,588,000 acres for harvest and an officially estimated production of 1.749 billion bushels, compared with 34.9 million acres and a harvest of 1,544 billion bushels last year. The previous high was 1,617 billion bushels in 1971.

The report said that farmers planted 72.5 million acres of corn for all purposes this year, including grain and forage uses, an increase of 9 per cent from 1972.

Department officials had expected total corn plantings to be around 74 million acres. Although the production goal was set at 6.0 billion bushels the mark was calculated prior to planting delays caused by severe weather over much of the nation during April and May.

## Soybean Official Urges Extreme Care in Dealing With Foreign Markets

"The U.S. must adopt an agricultural policy that is fair to overseas customers and the domestic consumer and that will never again fail to deliver on commitments to overseas customers", declared Seymour Johnson, American Soybean Assn. (ASA) secretary and soybean producer from Indianola, Miss., in testimony before the Senate Subcommittee on Foreign Agricultural Policy in Washington this week.

"Today's farmer is a well-trained, highly educated businessman who operates the most efficient industry in the U.S. He will not tolerate producing more only to see 50 percent of the market he has worked 17 years to develop removed by the government. Nor will our foreign customers rely on the U.S. as a

dependable source unless the government allows the present contracts to be fulfilled.

"All the 145 million bushels of soybeans reserved for domestic crush will not be used. Domestic processors would have to operate at maximum capacity to crush this amount by late August. Instead, plants are closing down or reducing production because of the price freeze, not because of the high price of soybeans," he said.

ASA feels that as many as possible of the 145 million bushels of soybeans not reserved for domestic use be released for foreign trade in an effort to fulfill previously made foreign contracts and to restore confidence in the United States as a dependable source of supply

## Local 4-H'ers Win at Regional Competition

Members of 4-H Clubs from Lancaster County were among winners in the Regional 4-H Demonstration and Public Speaking Contest which was held July 17, 1973 at Owen J. Roberts, High School in Chester County.

Bringing home top honors for the county were Donna Bare, Witmer, with a demonstration entitled "Basic Hunt-Seat Equitation" and Jeff Martin, New Holland, RD1, with a speech entitled "The Agriculture Situation."

These winners will compete with top demonstrators from four other regions at State 4-H Days August 6-8 on The Pennsylvania State University campus. They will take part in the statewide event along with county agricultural and home economics judging teams.

Blue ribbons were awarded to individuals scoring 90 to 100. Those winning county blue ribbon awards were: Trudy Nissley and Laren McIntyre, Junior Demonstration: "Components of Effective Photography"; June Grube, Junior - Public Speaker County agents, Extension home

economists, and local leaders from the various counties supervised the regional educational event under rules established by 4-H officials. Extension staff members and local leaders from the county who assisted were Mr and Mrs Harold Grube, Elm-Penryn Community Club, Mrs Robert Gregory, Clay-Brickerville Cooking, Mrs Kathleen Fisher, Manheim Community Club, Lynda Lueck, Nutrition Assistant, Anne Hinkel, Assistant Home Economist and Jay Irwin, Associate County Agent.

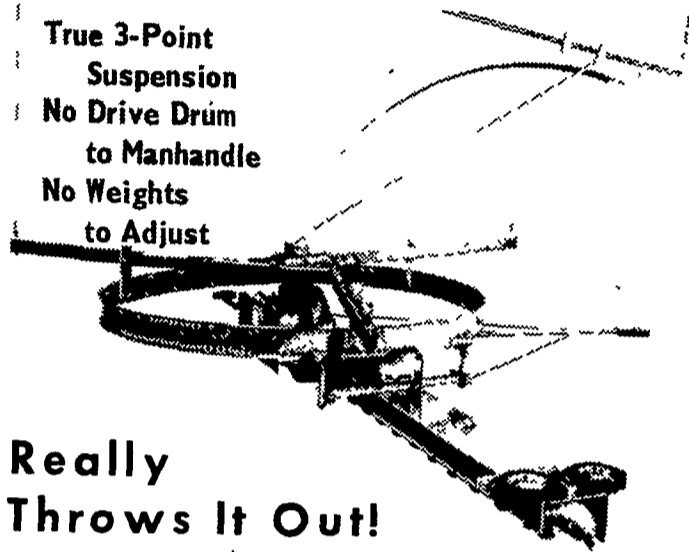
Three teen 4-H'ers from Lancaster County served as chairmen for demonstration rooms. They are Christine Erb, Mt Joy; Joseph LeFever, Manheim; and Debra Gregory, Lititz.

XXXX

Each farmer in America today, produces enough food for himself and 51 other people. Twenty years ago, he was raising enough to feed just 15 other people.

### JAMESWAY VOLUMATIC Silage Distributor-Unloader

- True 3-Point Suspension
- No Drive Drum to Manhandle
- No Weights to Adjust



Really Throws It Out!

- \* Gives You Faster Feeding
  - \* Two Machines in One
  - \* Can't Tip, Can't Tilt
- Stop In Today for Free Catalog.

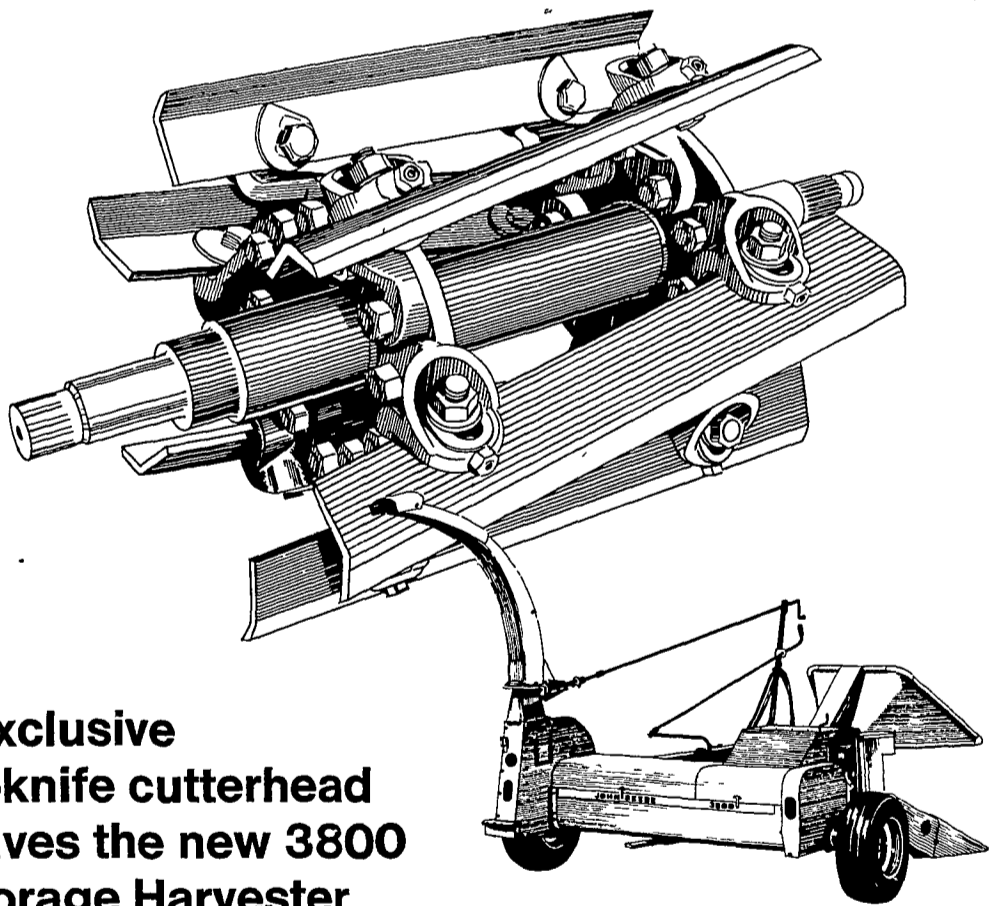
YOU CAN COUNT ON US

LANDIS BROS., INC.

Phone 393-3906

1305 Manheim Pike

Lancaster, Pa. 17601



### Exclusive J-knife cutterhead gives the new 3800 Forage Harvester the cutting edge

The heavier-duty 3800 is built to match the bigger horsepower of today's tractors.

J-knives propel chopped material out of the cutterhead like a paddle wheel... faster than conventional knives. The result is greater efficiency and more capacity.

J-knives are field-proven on

John Deere Self-Propelleds. So is the heavy-duty feed-roll drive with slip-clutch protection.

The new 3800 has heavier drives to and from the gearcase, greater frame strength, and larger fan shaft and bearings than other John Deere pull-types.

Stop in soon for full details.



EDWIN HURST INC.  
Adamstown, Pa 215-484-4391

WENGER IMPLEMENT, INC.  
The Buck 284-4141

LANDIS BROS. INC.  
Lancaster 393-3906

A. B. C. GROFF, INC.  
New Holland 354-4191

M. S. YEARSLEY & SONS  
West Chester 696-2990

SHOTZBERGER'S  
Elm 665-2141

## YOUR FARM IS DIFFERENT!

SEPKO-FARMWAY know cleaning-sanitizing needs, water analysis and milking equipment vary from farm to farm. No one cleaning program fits all needs.

Arrange now for a FREE custom tailored cleaning program designed to your water and equipment  
For details return this coupon - receive 10 percent off your purchase

Please send me details on how to save 10 percent

Name .....

Address .....

Phone .....

FARMWAY

R.D.2, Lititz, Pa. 17543  
626-2457 or 626-8909