



This was the scene as 45 industry people from 11 states and Japan studied egg quality last week at the 42nd annual NEPPCO Egg Quality School held in the Quality Inn at Towson, Maryland. Dr. C. E. Howes, head of the Poultry Dept. at VPI&SU, is director of the school. He is assisted by Carl H. Watts, director of the Division of Markets, Maine Dept. of Agriculture, and a faculty of some 15 in-

dustry, college, state and federal egg experts.

Shown above in the center foreground is Mrs. Joanne Sweigart of L. M. Sheaffer Co., Ephrata. Other local "students" included John Hatzis of Hess Bros. Farms, Inc., Ephrata; Lynn Kime of Sunny Slope Poultry Farms, Gardners; Dominic and Anthony Genuardi of Genuardi Supermarkets, Norristown; and Mrs. Nancy Wolf of Wolf Farms, Inc., Stewartstown.

County Council Preparing to Entertain Michigan 4-H'ers

The second meeting of the Lancaster 4-H County Council and Home Center. It was reported that the Michigan Exchange Committee was held last week at the Farm

decided to hold a square dance, a picnic and a county tour as the main activities during the one-week stay of the Michigan 4-H Exchange group.

The Michigan 4-H'ers will arrive in the county on Sunday, July 8. They will be staying with families of local 4-H'ers until Saturday, July 14. More families are needed to host these 4-H'ers during their stay.

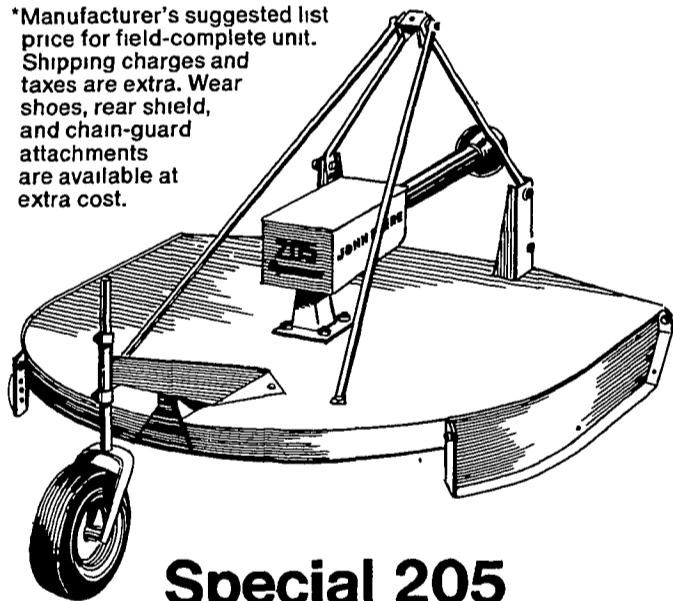
A committee was appointed to take care of the Council's fund raising activities.

Judy Longenecker gave a slide presentation on her visit to the United Kingdom with the IFYE program in 1970. After her presentation she showed some of the articles she collected in the United Kingdom.

Judy Risser
Corres. Secretary

Only \$360.00*

*Manufacturer's suggested list price for field-complete unit. Shipping charges and taxes are extra. Wear shoes, rear shield, and chain-guard attachments are available at extra cost.



Special 205 Integral Gyramor gives you John Deere quality for the price of an ordinary rotary cutter

Economy priced, you bet! But not at the expense of sacrificed quality. The 3-point-hitch-mounted 205 "Special" comes with an adjustable disk-type slip clutch, hardened and reversible blades, and a fully-shielded powershaft that runs on long-wearing needle bearings. It also has a malleable gearbox with precision-cut, case-hardened gears running in oil. Put a 5-foot-cut 205 "Special" to work now.

LANDIS BROS. INC.
Lancaster 393-3906

EDWIN HURST INC.
Adamstown, Pa 215-484-4391

A. B. C. GROFF, INC.
New Holland 354-4191

M. S. YEARSLEY & SONS
West Chester 696-2990

WENGER IMPLEMENT, INC.
The Buck 284-4141

SHOTZBERGER'S
Elm 665-2141



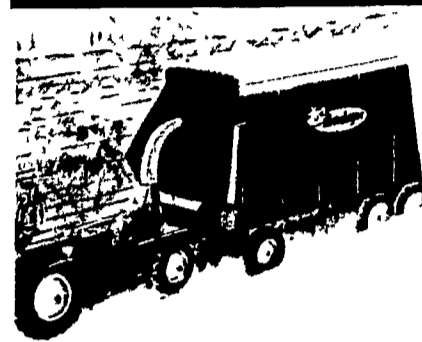
Oberholtzer Named Public Relations Director

Gary L. Oberholtzer, 15 Bradford Drive, Leola, has been named director of public relations for Goodwill Industries of Lancaster County, according to Norman L. Schell, new executive director of Goodwill. Oberholtzer is a graduate of

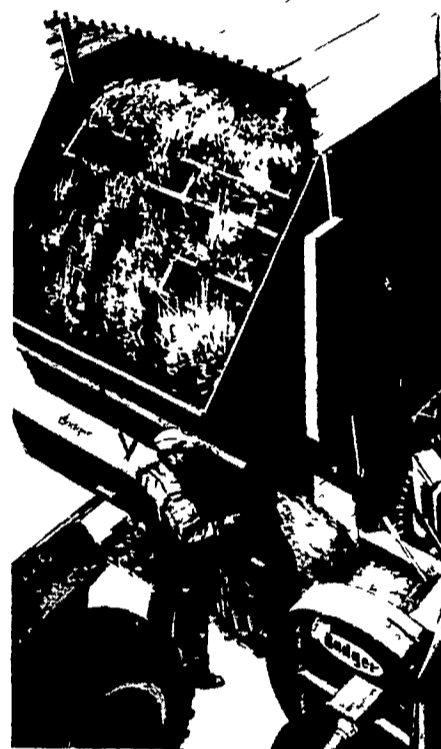
Millersville State College majoring in English.

Previous to assuming his new position, Oberholtzer served as assistant director of operations and transportation supervisor for the Lancaster Goodwill.

TRY A CLASSIFIED AD
PHONE 394-3047 or 626-2191



New Forage Box - Big & Rugged Steel-Flex Frame



Badger's new high capacity Forage Boxes and big 54-inch Forage Blower are engineered for extra years of dependable service. Badger is built to last longer than any other leading Forage Box. It has a rugged all steel frame, and the plywood floor and side walls won't warp or buckle. Cupped paddles on the 54-inch Forage Blower and a louvered air vent mean more "blowpower per horsepower." See your Badger dealer for more details.

SHOW-EASE STALL CO.

523 Willow Rd., Lancaster

Ph. 299-2536

"Yours for Better Dairying"



John E. Kreider

Bold Ideas That Work!

SOUTHEASTERN PENNA. TRACTOR PULL ASSOCIATION

Announces THEIR 2nd GARDEN TRACTOR PULL

FOR THE 1973 SEASON

To be held on Wednesday July 4

From 10:00 A.M. till all Pulls Completed

Registration Starts at 8:00 A.M.

AT THE ROUGH AND TUMBLE HISTORICAL ASSOC.

Grounds Route 30 (13 miles East of Lancaster) Kinzer, Pa.

Will Feature

800 lb. Stock Class

1400 lb. Modified Class

1000 lb. Stock Class

1600 lb. Modified Class

1200 lb. Stock Class

ALL ENTRIES WILL OPERATE UNDER THE NATIONAL TRACTOR PULL ASSOCIATION RULES

SOUTHEASTERN PENNA. TRACTOR PULL ASSOCIATION

Promotional Committee Box 142

Kinzer, Pa.

Ph. 717-354-9793