

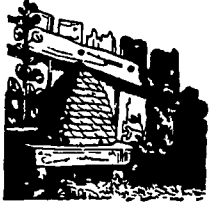


JUNE 4-10, 1973

To a cow now, its just a matter of getting fatter.

Be after horned pouts at night now; they're the sweetest this month . . . Daily thunderstorms begin in Florida, through August . . . First quarter of the Moon June 7 . . . Babies conceived in June outlive October ones by 456 moons . . . Average length of days for week, 15 hours, 14 minutes . . . Boston Red Sox 29, St. Louis Browns 4, June 8, 1950 . . . Income Tax Withholding Act June 8, 1943 . . . Radio networks born June 7, 1923 . . . He who wishes to thrive, let spiders go alive.

Old Farmer's Riddle: What turns without stirring? (Answer below.)



Ask the Old Farmer: Can you tell me why it is that horseback riders of the East and Europe manage to get along with a minimum of trappings, while our Western riders and their horses are encumbered by heavy bulky accouterments? B.L., Springfield, Ill.

Almost every detail of the Westerner's riding outfit has a practical use — high boot heels so his foot won't slide through the stirrup; hoods or "tapaderos" on the stirrups to keep his boots from being torn by briars and to keep his feet from freezing in cold weather; chaps for warmth and protection, and so-on. The only thing that is strictly decorative that we know of are the conchos or metal discs on some of the gear.

Home Hints: Mosquitos like wet clothes and the color blue . . . Vinegar set in an open dish absorbs odor of smoke . . . Riddle answer Milk.

OLD FARMER'S WEATHER FORECASTS

**New England:** Cloudy and warm to start, then scattered showers by midweek; rain, heavy in north, later part.  
**Greater New York-New Jersey:** Week begins Clear and hot, then rain; heavy rain latter part, then clear on weekend.  
**Middle Atlantic Coastal:** Clear and hot at first, then rain and cooler by midweek; end of week clear and very warm.  
**Southeast Coastal-Piedmont:** Clear and warm to start, then cooler with rain; clear latter part, then coastal rain on weekend.  
**Florida:** Cloudy early week, then scattered showers; rain end of week but clear on weekend.  
**Upstate & Western N.Y.-Toronto & Montreal:** Showers at first, then partial clearing and warm at midweek; variable cloudiness and intermittent rain latter part.  
**Greater Ohio Valley:** First part of week partly cloudy and warm with rain in the east; end of week cloudy and hot.  
**Deep South:** Heavy rain and cool to start, then light rain and hot at midweek; clear and hot latter part.  
**Chicago and Southern Great Lakes:** Partly cloudy and cool through midweek; remainder of week showery and warmer.  
**Northern Great Plains-Great Lakes:** Most of week cloudy and cool; rain latter part, but very warm.  
**Central Great Plains:** Rain at first, then clear by midweek; showers end of week.  
**Texas-Oklahoma:** Rain, heavy to start, and cool through midweek; end of week clear and hot.  
**Rocky Mountain Region:** Cloudy with intermittent rain and very warm all week.  
**Southwest Desert:** Clear and hot to start, then increasing cloudiness and cooler; light rain on weekend.  
**Pacific Northwest:** Light rain and cool temperatures to midweek; clear and warm latter part.  
**California:** Cloudy to start, then clear at midweek; end of week clear and warm.

(All Rights Reserved, Yankee, Inc., Dublin, N.H. 03444)

# Lebanon Co. Dairy Princess Festival

June 16th is the date to circle on your calendar if you live in Lebanon or surrounding counties. A Dairy Festival will be held at the Lebanon Expo Fair Grounds starting at 6:30 p.m. The prime feature will be the final selection of the new Lebanon Dairy Princess for 1973.

The Dairy Princess will be selected from a field of five contestants: Cheryl Blatt, Jonestown RD1; Lucille Berger, Fredericksburg RD1; Natalie Geesaman, Fredericksburg RD1; Sharon Zeigler, Myerstown RD2, and Donna Lu Bennetch, Newmanstown RD1, are among the first entrants in the contest. Miss Patricia Krall, Lebanon RD1, is the present Princess and will crown the newly chosen Princess, who will then take over her duties

will offer a host of attractions for people of all ages and interests. The festivities will begin with a milking demonstration and contest between Lebanon City Mayor Walter Swanger and County Commissioner Thomas Behney. Supplied with a gentle cow, a milk stool and a pail, they have vowed to show the world just where milk comes from and

Rug Buying

The cost of a rug or carpet depends on the basic fiber content, amount of surface yarn, style and method of construction. Choose the best quality carpet or rug that your budget will allow, advise Extension home furnishings specialists at The Pennsylvania State University. A densely packed pile will look better and give longer wear than one with sparse surface pile of the same fiber.

how easy it can be obtained!!

The June 16th Dairy Festival at the Expo Grounds will feature the winners of a Cow Coloring Contest for children in kindergarten through fourth grades. Nearly a thousand entries have been submitted. The winners will receive cash prizes and gift certificates. Most of the "Daisy The Cow" contest pictures will be displayed in the Expo Building.

Cash prizes and certificates will be awarded to the four winners in a Dairy Poster Contest for children in the fifth through eighth grades. Several hundred picture posters have already been submitted. They contain an original slogan or picture designed to promote the use of milk in the daily diet. Winners will be selected on the basis of

originality, neatness and effectiveness.

The Dairy Foods Recipe Contest will again be a highlight of this year's pageant. Rules for the contest can be obtained from the Extension home economist, Mrs. Alletta Schadler, or any member of the committee. The committee members are Mrs. Ray Sattazahn, Mrs. Irvin Horst, Mrs. Albert Moyer, Mrs. Sandy Klingler and Miss Patricia Krall.

Judges for the Dairy Princess Contest will be Rynell Sorensen, Miss Lebanon Valley; N. Alan Bair, assistant Lancaster County Agent; and Mrs. Robert Kauffman.

Master of ceremonies will be Carl Brown, fieldman of the Pennsylvania Holstein Association.



## ATTENTION MEDICARE PATIENTS

Medicare equipment provided for your home care needs.

WE BILL MEDICARE FOR:

- \* OXYGEN
- \* WALKERS
- \* COMMODES
- \* IPPB
- \* HOSPITAL BEDS
- \* WHEEL CHAIRS

... Or other equipment covered by Medicare

To obtain services or information  
 CALL COLLECT IF NECESSARY  
 (717) 299-2855

## MEDICARE

Equipment Center, Inc.  
 A Full surgical supply at Park City

## BEFORE YOU BUY ANY SILO OR SILO EQUIPMENT....

CHECK WITH YOUR LOCAL REPRESENTATIVE

- C. B. HOOBER
- JOHN KREIDER
- J. SAMUEL SHERER
- EUGENE HELLER

New and 1 demonstrator Starline roller-mulls, used 24' rebuilt Jamesway Unloader and used 20' rebuilt Jamesway Unloader, both with 5 HP motors

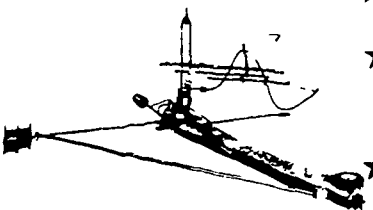
1 used Patz unloader, used 2 years, will fit 16, 18 or 20 ft. silo.

NEW ROLL-ABOUT HAY RACKS.  
 We will install.

★ STARLINE UNLOADER

★ AUTOMATIC BELT FEEDERS

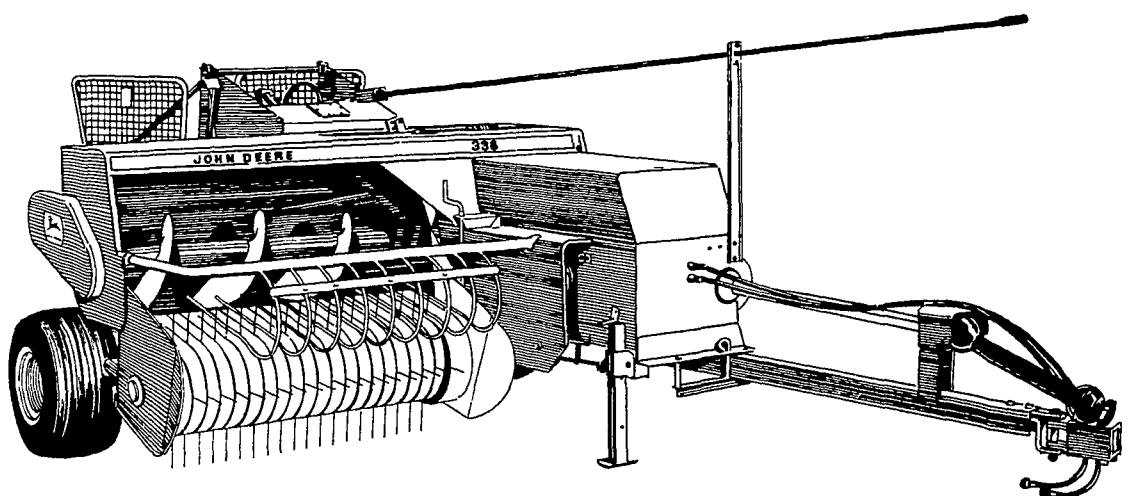
★ WE SERVICE WHAT WE SELL.



## LANCASTER SILO CO., INC.

2436 Creek Hill Road or  
 2008 Horseshoe Road, Lancaster, Pa.

# Strong, Silent 336 Baler makes less noise while it bales more hay



A quick glance reveals clean, uncluttered styling. But good looks of the 336 Baler goes much more than skin deep.

The striking absence of chain spells quiet operation and low maintenance. The exclusive equal-angle hitch (optional) reduces powerline vibration and chatter and smooths out corners. The V-belt-

driven pickup and feeding auger, roller-mounted plungerhead, and gear-driven knotter run quietly and require minimum maintenance.

The 61-inch-wide pickup with 80 teeth, giant 289-square-inch feed opening, and 80 30-inch-long plungerhead strokes per minute set today's capacity standards.

Stop in and see the 336 now.

EDWIN HURST INC.  
 Adamstown, Pa. 215-484-4391

WENGER IMPLEMENT, INC.  
 The Buck 284-4141

LANDIS BROS. INC.  
 Lancaster 393-3906

SHOTZBERGER'S  
 Elm 665-2141

A. B. C. GROFF, INC.  
 New Holland 354-4191

M. S. YEARSLEY & SONS  
 West Chester 696-2990

