



Ivan Yost, (left), Christiana R.D.1, who recently took part in a public affairs international study tour of several European countries, presents plaque to Brice Meeker, agricultural attache, American Embassy, The Netherlands, in appreciation of his assistance in coordinating aspects of

the tour. Thirty-five young Commonwealth leaders participated in the tour, a part of The Pennsylvania State University's Kellogg Leadership Program. In Europe the group studied rural and community development projects.

'73 Meat Imports Set at 1450 mil. lbs.

Secretary of Agriculture, Earl L. Butz, announced recently that calendar 1973 imports of meat subject to the Meat Import Law are estimated at 1,450 million pounds—unchanged from the first 1973 quarterly estimate.

Restraints on imports of meat subject to the Law (P L 88-482) were first removed by President Nixon in June 1972. Then on January 29, 1973, the President issued a proclamation to continue this suspension for calendar 1973.

Imports of meat subject to the Law for the first two months of this year were 22 percent above the year-earlier level. Part of this increase resulted from drought induced slaughter and larger exports by some supplying countries. The rate of increase in imports is expected to be lower for the remainder of this year because of increased demand in other areas, especially Western Europe and Japan.

Even though prices in the United States are higher than they were a year ago, prices in other markets have advanced even more. Despite the attractiveness of other markets,

When you're on the porch enjoying the newness of a spring evening, snuggle up to a Lime Milk Cozy. Just pour two cups milk over two scoops of softened lime sherbet. Add a few drops of green food color and you're set to sip away into the night.

SPECIAL PRICE
ON
CASE and
NEW IDEA
WINDROWERS

Last Years Demonstrators
and Rental Machines
For Sale at Big Savings

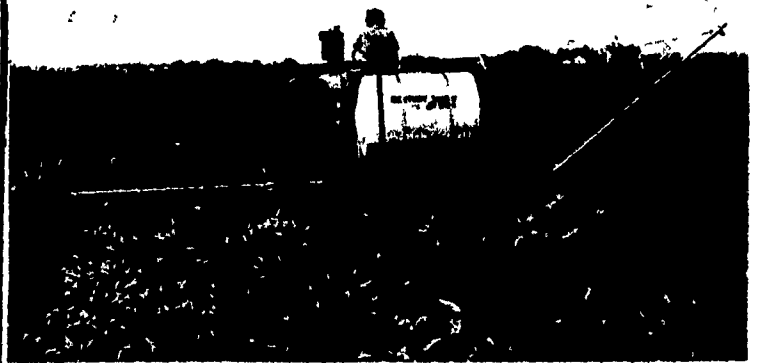
A. L. Herr & Bros.

312 Park Ave
Quarryville, Pa
Ph. 786-3521

imports into the United States of 1,450 million pounds will be a record level and about 8 percent over 1972.

TRY A CLASSIFIED AD

CENTURY SPRAYERS



"SCOTTY" SPRAYERS

TRACTOR OR TRAILER MOUNTED—55 TO 200-GALLONS—6 OR 8 ROWS (40-INCH)

Accurate Spraying at Lowest Price.

This sprayer includes all of the essentials to do a good, accurate spraying job but, to keep the price as low as possible, some of the convenience features have been eliminated. 20-inch nozzle spacing. Available with either 6 or 8 roller nylon pump.

BINKLEY & HURST BROS.

David Binkley - Amos & Leonard Hurst
Formerly Walter Binkley & Son

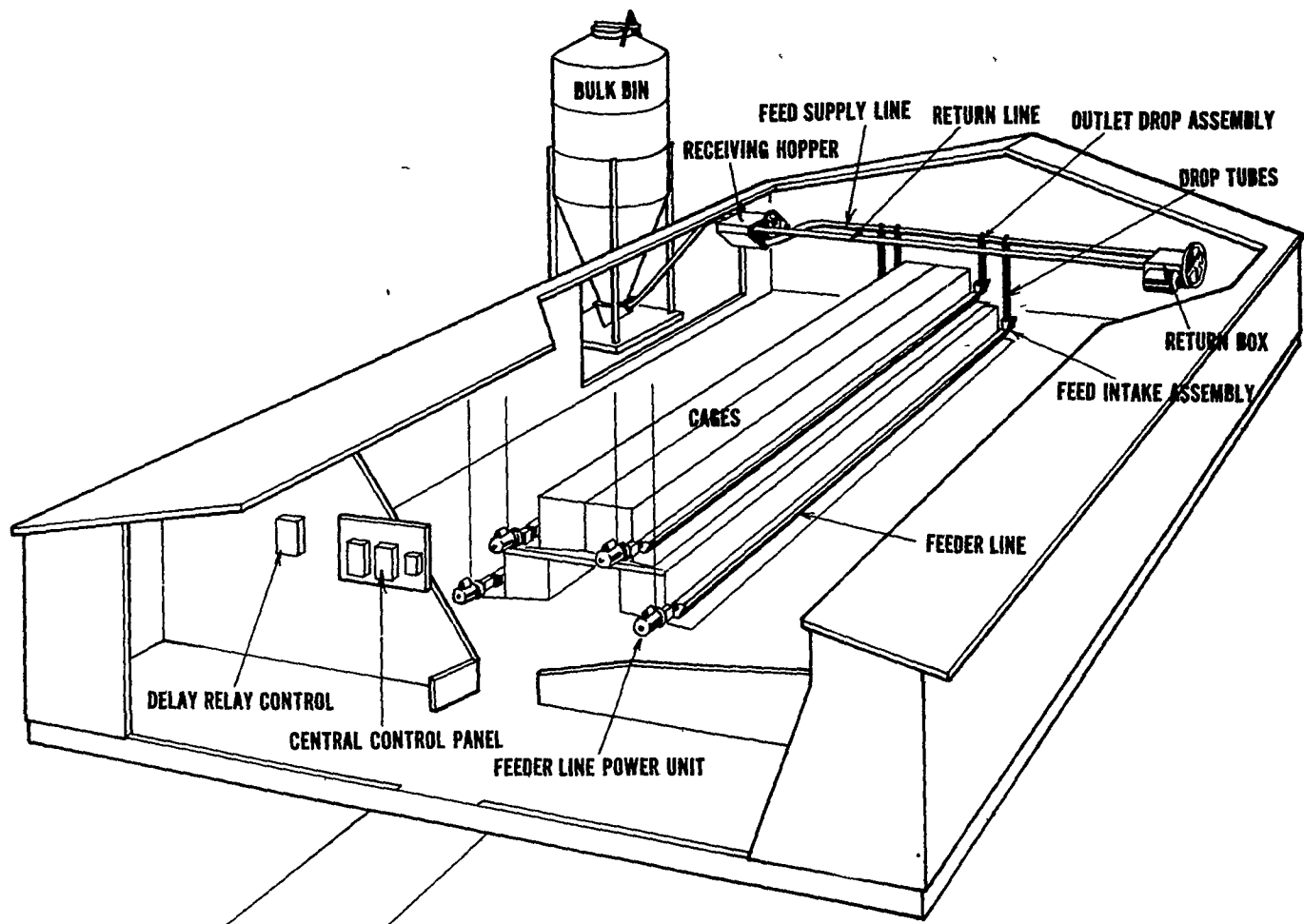
Lititz R.D.4, Pa.

Ph. 626-4705

Rothsville Station Road

CHORE-TIME

New Cage Feeding System



WE SELL, SERVICE AND INSTALL

E. M. HERR EQUIPMENT, INC.

R. D. 1, Willow Street

717-464-3321

