

Vets Meet At Quentin

The Veterinary Nutrition Forum met at the Quentin Riding Club, Quentin, Pa. with 25 members present. Dr. Len R. Harrison, of the Bureau of Animal Industries Diagnostic Laboratory, discussed "Calf Problems, with Particular Emphasis on Salmonellosis".

In 1972, over 100 cases of calf Salmonellosis were reported and all were confirmed by isolating the pathogenic agent. Some 70 percent of the isolates were *Salmonella* *tiphimurium*. This organism is ubiquitous and stubborn and it can persist in the environment for long periods of time. It was isolated from nearly all calves with peracute "sudden death" disease. These cases usually do not respond to common antibiotics and other chemotherapeutic agents. From 20 to 40 percent mortality among the calves is not uncommon. Salmonellosis at times is accompanied by respiratory complications (pneumoenteritis) with more severe mortalities.

Dr. Harrison said that a number of recoveries were noted with application of ampicillin but the drug of choice is gentamycin. The penicillins, streptomycins, sulfonamides and tetracyclines were invariably ineffective. The activity of nitrofurans was found to be erratic and it was the speaker's opinion that in very young calves these agents may be toxic with severe adverse side effects.

A number of calves died showing respiratory phenomena. These calves had a non-productive cough, dyspnoea, they were breathing with open mouth. At necropsy, pneumonia lesions were observed and *Mycoplasma* and *Pasteurella* were isolated from primary cultures. The drug of choice in Dr. Harrison's experience was tetracycline.

Starvation is another major calf killer. Calves should be properly fed, especially during the first few days of their existence.

The March meeting will be held

U.S. Agricultural Office In Moscow To Expand

The U.S. Department of Agriculture announced the expansion of the office of the U.S. agricultural attache in Moscow, U.S.S.R. with the addition of an assistant agricultural attache. With the new assistant agricultural attache, the agricultural attache office will consist of three U.S. professional staffers.

Agricultural trade between the United States and the Soviet Union has risen sharply in the past two years. Following President Nixon's relaxation of shipping requirements of U.S. agricultural commodities in 1971, Soviet purchases of U.S. food products have been on the upswing.

Since July, 1972, the Soviet Union has purchased about \$1.1 billion of U.S. feedgrains, wheat and soybeans. With these sales, the U.S. became the largest grain and soybean supplier to the U.S.S.R. The U.S.S.R. is expected to continue as an important market for U.S. feedgrains, soybeans and soybean products. Serving in the newly created

position will be A. Paul Danyluk, presently a member of the Program Development Staff of the Foreign Agricultural Service. Danyluk previously served as assistant agricultural attache in Rome, Italy from 1967 to 1971, and as acting attache in Warsaw, Poland on two temporary assignments.

He joined the Department of Agriculture in 1962, after working as an editor-compiler for the

Hart President Of Rough Riders Club

The Rough Riders 4-H Club met March 14 to elect new officers following a movie on horsemanship.

The new president is Lynn Hart. Frances Tice is vice-president; Hope Bailey, treasurer; Heidi Bailey, secretary; Kim Bradley, news reporter; Elizabeth Abel, game chairman.

County Council representative is the ex-president, Nancy Henkel.

There was an age limit of over 14 years of age on the officers, except news reporter and game chairman. After the election refreshments were served and the meeting was adjourned.

News Reporter,
Kim Bradley

National Geographic Society from 1954 to 1962. Danyluk holds a bachelor's degree from Syracuse University at Syracuse, New York, and a master's degree

from Oregon State College at Corvallis.

Mr. Danyluk and his wife are expected to arrive in Moscow in April.

FOR 200 BU. CHAMPION CORN YIELDS PLANT MUNCY-CHIEF HYBRIDS

Join Muncy Chief 1 Acre and 5 Acre contests . . . Ask about seed 1/2 Price Offer and Awards.

FREE CATALOG and CONTEST AWARDS BOOKLET

JUST SIGN AND RETURN

MUNCY-CHIEF HYBRIDS, Muncy, Pennsylvania

Date.....

Please send FREE seed catalog & price list

Please send wholesale price list, I am a dealer

I am interested in dealership if my area is open

Please send seed corn contest blanks and award booklet and further information on seed corn at 1/2 price for contestants

Name.....

Address.....

Rd..... Phone.....

Acre(s) Farmed..... Acre to Corn.....

MUNCY-CHIEF HYBRIDS

Muncy, Pa.



at the Stockyard Inn, Lancaster, Pa. The speaker will be Dr. Fredrick W. Oehme, Associate Professor of Toxicology and Medicine and Director of the Comparative Toxicology Laboratory, College of Veterinary Medicine, Kansas State University. Dr. Oehme will speak on "Toxic Hazards in Animal Feeds".

Special Special Special
The only low-priced
chain saw with
high-priced features!



\$114.95

(Exclusive
2 year warranty
and Automatic Trigger Oiling)

NEW REMINGTON
MIGHTY MITE-BANTAM CHAIN SAW

- 6 1/2 lbs. less bar and chain
 - Cuts trees 20 inches thick
 - Powerful 2.1 cu in engine
 - Perfectly balanced
 - Cushioned hand grip
 - Quiet low-tone muffler
 - Safe Foot-brace starting
- All These Features PLUS

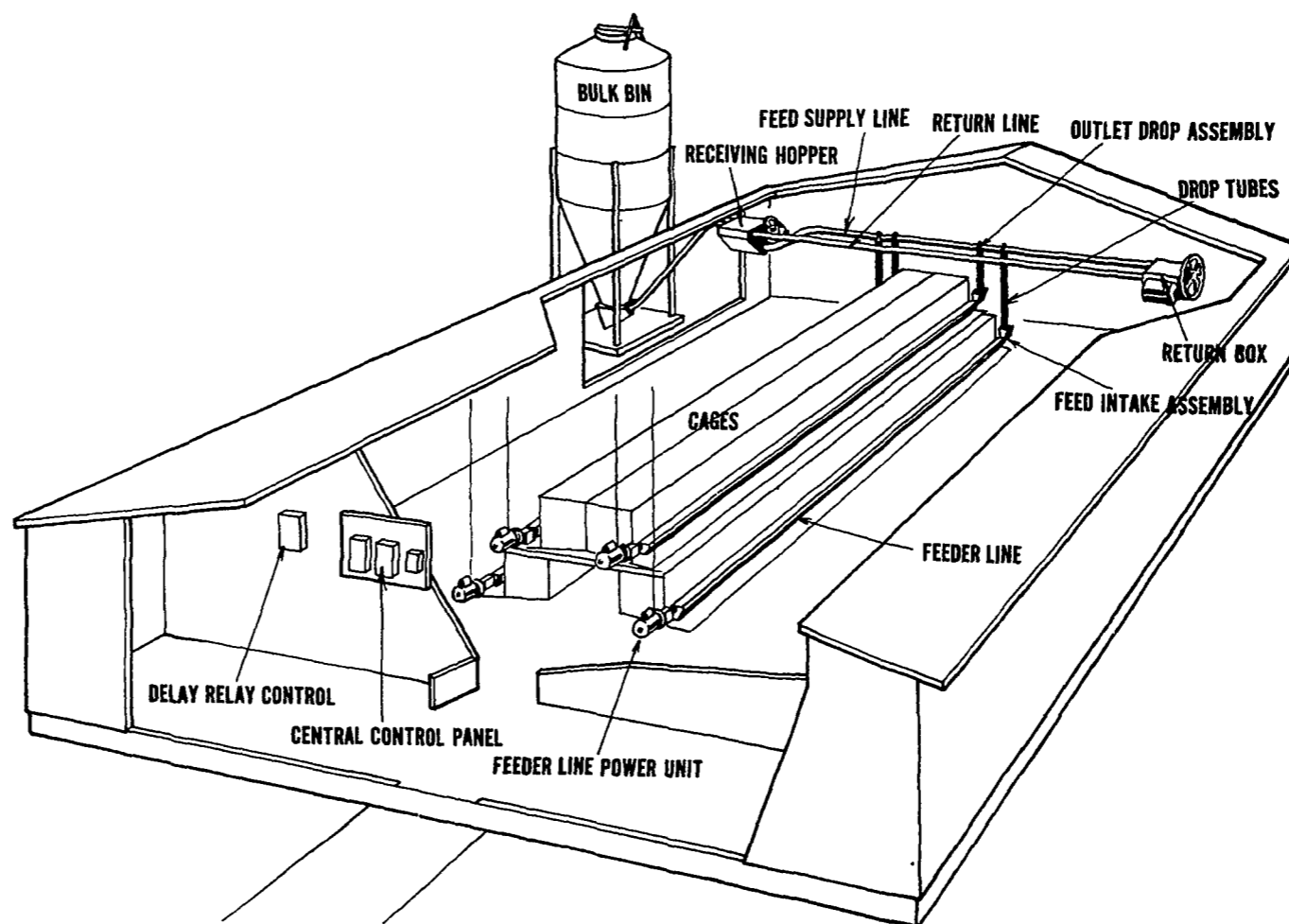
FREE \$19.95
WITH CHAIN SAW CARRYING
PURCHASE CASE

GEHMAN BROS.

1 Mile North of Terre Hill
on Route 897
EAST EARL R.D.1
PHONE 445-6272

CHORE-TIME

New Cage Feeding System



WE SELL, SERVICE AND INSTALL

E. M. HERR EQUIPMENT, INC.

R. D. 1, Willow Street

717-464-3321