

Awards Presented At Area Annual FFA Banquets

Manheim Chapter

Two local FFA Chapters held annual Parent-Member banquets last Friday night in the home-school cafeterias. Honored were FFA members, parents, friends and guests of the FFA.

The Manheim Chapter held its 21st annual banquet with Dick Kauffman, Chapter president, serving as toastmaster. The program began with the official FFA Opening Ceremonies. Bob Hershey, chaplain, offered the Invocation.

Kevin Rohrer introduced guests of the FFA. Chapter Sweetheart Tina Haldeman, daughter of Mr. and Mrs. Jay Haldeman of Manheim, gave her retiring address and presented the 1973 Sweetheart Julia Garber, daughter of Mr. and Mrs. James Garber.

State FFA president Nelson Martin brought greetings to the group from the State Association. Dale Hershey, representing the "big brother" organization of the FFA, the Manheim Young Farmers, gave comments.

Chapter Foundation awards were presented to the following members: Don Wenger, crop production; Dick Kauffman, farm mechanics; John Miller, dairy farming; Kevin Rohrer, poultry production; Bob Hershey, public speaking; Glenn Lehman, placement in agriculture production; Roy Sauder, livestock farming; Phil Newcomer, soil, water and air management; Gene Gehman, agri-business, and Doug Layton, farm safety.

For the first time in the history of the Manheim Chapter a female freshman student was named Star Greenhand. Ruby Ginder, daughter of Mr. & Mrs. Robert



Among the award-winners at the annual Manheim FFA Chapter Parent-Member banquet last Friday night were Dwight Martin and Ruby Ginder.

Ginder of Elizabethtown RD3, is currently involved in a dairy production project for her FFA project. This award is given to the most outstanding student in the freshman class.

Dwight Martin, son of Mr. and Mrs. Raymond Martin, Mount Joy RD1, was named the Star Chapter Farmer. Martin was selected as the most outstanding FFA member for his leadership in the Chapter and his swine fattening program on the home farm.

Prizes were awarded by treasurer Don Wenger to the highest salesmen in the Citrus Sale campaign. Receiving checks were Ron Kreider, first; Glenn Shelly, second, and Frank Greenly, third.

Joe Lefever, state FFA vice-president and a Manheim Chapter member, presented County and State project book

contest trophies to the following: Don Wenger, gold; Dwight Martin, gold; John Miller, gold; Phil Newcomer, silver; Bob Hershey, silver, and Glenn Ruhl, bronze.

The Chapter officers, in a special ceremony, received four Honorary Chapter members into the Manheim FFA Chapter. They are: Jack Detwiler, grounds superintendent at Manheim Central; Galen Weidman, Junior High School principal; Samuel Wenger, Chemistry teacher, and David Wood, personnel manager of Agway Inc. in Manheim.

Walter Newcomer presented special Citation Awards to Bond Foundry and Machine Company of Manheim and Murry Associates of Lititz.

National FFA vice-president Bruce Erath of New York presented an address in which he encouraged Chapter members to set their goals and strive with the necessary ambition and enthusiasm to achieve their goal. Chapter advisor Glenn Weber

and PP&L representative Gerry Shaffer presented awards to John Miller, Richard Kauffman and Donald Wenger who received the Keystone Farmer Degree in January, the highest degree in the State FFA.

A highlight of the program was the introduction of Miss Lancaster County, Miss Tina Thomas. She sang several gospel songs before the closing ceremonies by the Chapter FFA officers.

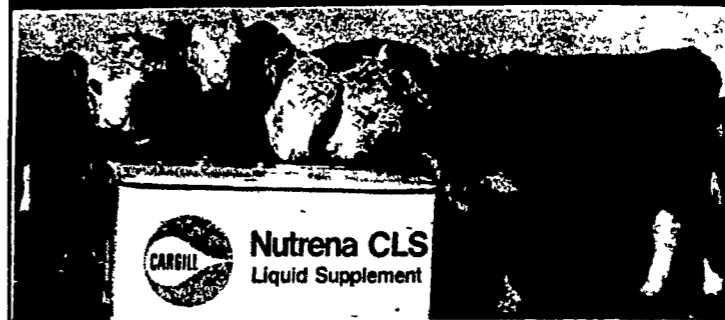
Cloister Chapter

Approximately 160 persons attended the 11th annual Parent-Son Banquet at Ephrata High School. Richard Groff was toastmaster. The banquet was planned by the junior class; home ec girls served as waitresses.

Foundation awards were awarded to: Eric Copenhaver,

(Continued On Page 13)

NEW LIQUID SUPPLEMENT DISCOVERY!



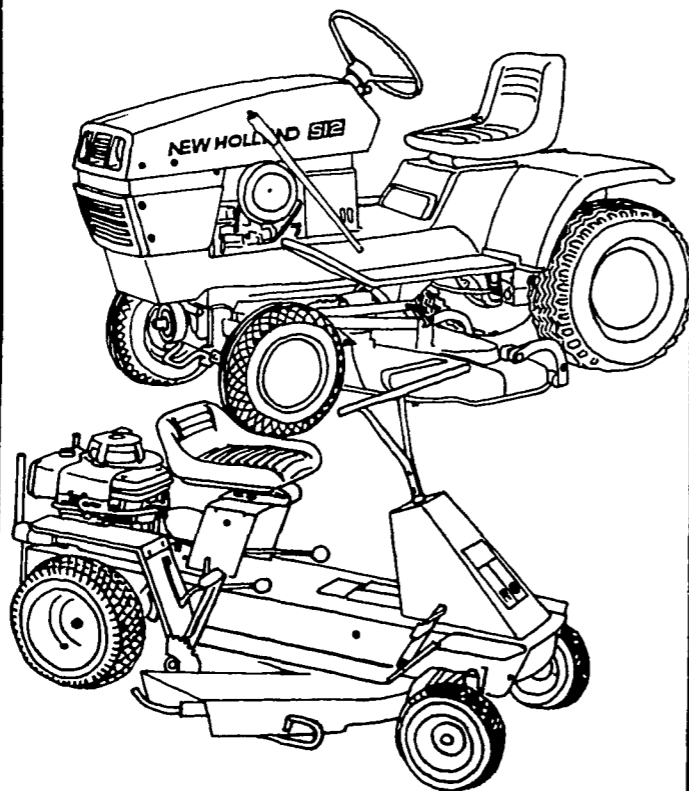
If you're wintering cattle or have cattle on stalks, here's a new way to supplement with low labor and at low cost. Patented Nutrena Controlled Release CLS gives you lock-wheel feeding convenience with the latest development in liquid supplements. Controlled release of protein-building nitrogen in the rumen helps cattle utilize the nitrogen. And it means extra safety from urea toxicity caused by overconsumption.

HALES HUNTER
RED COMB · PIONEER FEEDS

feeding programs
you can believe in

Palmyra, Pa.
Ph. 717-838-1338

We'll help you
to a "Better Buy",
You help yourself to a gift!



Buy a New Holland lawn and garden tractor or riding mower,

Choose from a dozen great gifts, depending on model purchased

LIMITED TIME OFFER APRIL 2 THRU JUNE 30, 1973

Come in today—see our New Holland "Better Buys" and see the exciting gift selection

C. E. Wiley & Son, Inc.
101 S. Lime St., Quarryville
786-2895

Roy A. Brubaker
700 Woodcrest Ave
Lititz, Pa
Tel. 626-7766

A.B.C. Groff, Inc.
110 S. Railroad Ave
New Holland
354-4191

LIMING PAYS and BAKER'S AG * LIMESTONE pays off best!

Liming pays off in healthier soil, better crops, stronger and more productive animals. In fact, it has been estimated that each \$1 invested in limestone returns from \$3 to \$10 in bigger and better yields.

Baker's agricultural limestone is your best choice because you can use the type that best fits the needs of your land. Choose high calcium to sweeten acid soil, raise pH and unlock vital plant nutrients. Use high magnesium to do all those jobs plus adding vital magnesium. Both types prepare your land to make full use of the fertilizers you apply. Call your dealer or Baker.

	Calcium Oxide	Magnesium Oxide
Conestoga Valley Hy Cal limestone from our Ephrata quarry	53.5%	5%
Prime Lime dolomite limestone from our Gap quarry	30%	20%
Hy Mag limestone from our Paradise quarry	30%	20%

CHEM GRO FERTILIZER
East Petersburg - 569-3296

GEHMAN FEED MILL
Denver - 267-5585

HEISTAND BROS.
Elizabethtown - 367-1504

HENRY B. HOOVER
Ephrata - 733-6593

HARRY FREESE
Oxford - 932-9762

POWL'S FEED SERVICE
Peach Bottom - 548-2376

Products of The J. E. Baker Co.
Call collect—(717) 354-4202

