

## Awards Given At 3 FFA Banquets

### BABCOCK

Was and Still  
is No. 1



1st Place Winner

in  
Pennsylvania  
Random Sample  
Egg Laying Test  
25c more income over  
closest competitor.

For more detailed  
figures contact



### BABCOCK FARMS, INC.

Telephone (717) 626-8257

Telephone (717) 626-8561

### Grassland FFA

Three local FFA chapters held their annual parent-son banquets in recent days. Many members and guests left laden with awards, and all present were well-fed. The first banquet, on Friday, March 9, was held at the Garden Spot High School cafeteria for members and guests of the Grassland Chapter.

The group heard messages from Nelson Martin, president of the Pennsylvania FFA, and Bruce Erath, northeast regional vice-president from Sullivan County, New York.

During the meeting, five chapter members were presented with Keystone Farmer degrees. They were Mike Martin, Delmar Weaver, Jim Zimmerman, Lynn Groff and Bob Burkhardt.

Lancaster County Red Rose degrees went to Ray Martin, Ken Groff, Dale Sensenig, Daryl Sensenig, Elvin Hursh, Dwight Ludwig, Garry Messner, Wayne Martin, Dennis Nolt and Ken Mull.

Cooperative seed sales for the chapter totaled over \$6000, with Jerry Long receiving the top salesman award.

Winners of the New Holland Jacee swine awards were Nelson Messner for Hampshires, Garry Messner for the Yorkshire breed, Brian Musser, crossbred, and Lloyd Hoover, Duroc.

Honor roll awards went to Wayne Martin, David Smeltz, Jim Zimmerman, Delmar Weaver, Lloyd Hoover, Bill Trupe, Scott Steffy, Lewis Good and Larry Weber.

Production agriculture award winners were Lloyd Hoover, first place; Ray Martin, second place; and Jeff Martin, third. Environmental agriculture honors went to Leonard Martin, first place; Dale Burkhardt, second; and Tom Wentzle, third.

### Solanco Banquet

The 27th annual Solanco parent-son FFA banquet was held Thursday evening at the Mechanics Grove Church of the Brethren. Keystone Farmer degrees were presented to William Hershey, Wayne Kreider, David Bitler, Tom Perry and Mike Roland. Certificates were also presented to these degree winners by Pennsylvania Power and Light.

The Star Greenhand Award for the chapter went to Gordon Herr. The star Chapter Farmer was Gary Akers, and the Star Red Rose Farmer prize was captured by Charles Coates.

Dairy club awards were presented to Wayne Kreider, David Bitler and Fred Lefever.

The Farm Women Society No. 20 presented an outstanding FFA student award to Robert Fite.

Honary chapter farmers inducted were the farm equipment firm of Cope and Weaver, and Steve Leiser, a vo-ag teacher at Solanco.

During the meeting, members showed slides of their activities during the past year, including trips to Kansas City, Penn State and Oklahoma.

### Tevoca FFA

One of the county's newest FFA Chapters, the Tevoca Chapter, met Thursday night at the Brownstown Vo-Tech School for its third annual Smorgasbord banquet. Randy Firestone served as toastmaster for the evening.

The Tevoca Chapter encompasses two areas, horticulture and floriculture. Major awards were presented to deserving students in each of these areas, where applicable.

Presentation of awards, including Foundation awards, to FFA members were made by Miss Judith Levine and James M. Kerr, Chapter advisors. Those receiving recognition were:

Star Greenhands - Al Lutz, John Frantz; Star Chapter Farmers - Randy Firestone, Deb Zimmerman, Star Agribusiness - Irene Frederick, Louis Roether.

Sales and Service - Barb Diefenderfer, Luke Weidler; Public

Speaking, Donna Anderson; Ornamental Horticulture, Tess Morrison, Randy Firestone.

Outdoor Recreation - Robert Shupp; Agribusiness - Paul Bewley, Louis Roether; Home Improvement - Steve Bucher; Placement in Ag Production - Jeff Risser.

Certificates of Appreciation were presented for assistance in various areas to the Chapter. Certificates were received by: Carl Bomberger and Paul Wenger, Wenger's Greenhouse; F. J. Hellberg, Hellbergs, Bird-in-Hand; Raymond Boltz, Erb Bros Nurseries; Lloyd Lapp, Huber's Nurseries; Leon Rabzak, guidance counselor, and Henry Givler, Area Vo-Tech Consultant.

The Tevoca Chapter participated in the county-wide FFA

Citrus Sale in December. Receipts from the sale were used to finance the annual banquet for the 140 guests present.

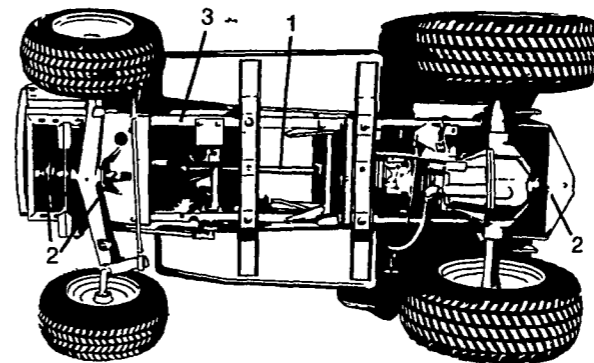
The two top saleswomen of the Citrus Sale were rewarded for their hard work. Elaine Wenger sold 60 cases of fruit. She chose a Tevoca FFA jacket as her prize. Irene Frederick, second high in sales with 40 cases, accepted a check for her accomplishment.

Honorary Chapter Farmer Degrees went to four Vo-Tech Administrators: Irwin J. Shelly, principal; J. Richards Wood, coordinator; Ralph Layman, director, and Henry Givler, consultant.

Nine Chapter members were awarded the Chapter Farmer Degree. They are: Tina Eisenhower, Irene Frederick, Barb Diefenderfer, Gerald Hartranft, Robert Shupp, Steve Bucher, Randy Firestone, Karl Martin, and Daryl Sweigart. These degrees were presented by Mr. Givler and Mr. Layman.

(Continued On Page 13)

LOOK at it  
this way,



and you'll see why the New Holland S-12, S-14 and S-16 garden tractor is a "Better Buy" for you

- 1 Direct drive to rear wheels—no belts!
- PTO connections for attachments—no belts!
- 2 Front, center and rear PTO locations
- 3 Rugged six-inch steel welded frame

Come in! We'll show you a dozen-plus more reasons why New Holland is a "Better Buy"

### ROY A. BRUBAKER

700 Woodcrest Ave. Lititz, Pa. 17543  
Tel: 626-7766

THE BIG

V

MEANS VORIS  
HIGH YIELD SEED CORN

**V2642** - 119 day maturity

A Champion. Short-stalked, upright leaf, with a really high yield and potential. Moderately high population

**V2592** - 118 day maturity

By demand. A special hybrid for the East, large-eared, excellent stalk, and fast drying.

**V2552** - 113 day maturity

This is a high population hybrid. Pour on the fertilizer, early tasseling and silking a high yielder.

**V2402** - 102 day maturity

The big yielder. Tough to beat anywhere. Indiana reports over 200 bushels yield. Early plant hybrid.

**V2332** - 94 day maturity

Tremendous yield potential. Early. Fast drying. High yielder. Picks and shells beautifully.

CONTACT

### REIST SEED CO.

Mt. Joy, Pa. Phone 653-4121

[SINCE 1925]

the  
improved  
AAtrex®

## Liquid AAtrex® 4L

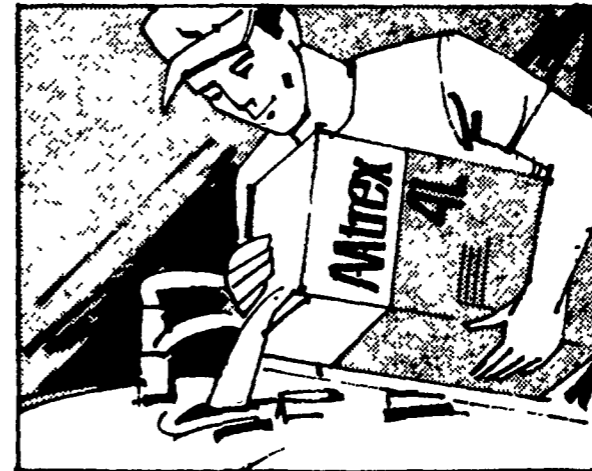
Half as many tanks to fill:

This AAtrex needs only half the water as wettable powder to treat an acre of corn.

Easier mixing:

No bags to open.  
No premixing.  
Pours right into the tank.

For performance plus convenience, use the improved AAtrex — Liquid AAtrex 4L herbicide.



SEE Your Local  
AGRICO DEALER

AAtrex® trademark of CIBA-GEIGY for atrazine

**Agrico**  
ONE OF THE WILLIAMS COMPANIES  
A good name to grow by