

READ LANCASTER FARMING  
FOR FULL MARKET REPORTS

## PSU Conference Will Tackle Feed Industry Problems

Need . . .

### HAY - STRAW - EAR CORN

Buy Now and Save!

More and more farmers are buying from us for better value and all around satisfaction

DELIVERED — ANY QUANTITY

Phone Area Code 717 687-7631

**Esbenshade Turkey Farm**

PARADISE PA.

A conference to analyze the problems related to profit, environment and final consumer product in the feed industry and other agribusiness in Pennsylvania has been slated for March 6 and 7 at Pennsylvania State University as a service to Pennsylvania agribusiness.

Dr. Theodore A. Long, Penn State Animal Science professor and conference chairman stated the meeting is open to everyone interested. The conference will begin at 6:30 P.M. Tuesday, March 6 and will adjourn 4:15 P.M. Wednesday, March 7.

#### Cardon Featured Speaker Tuesday

Dr. B. P. Cardon, President of Arizona Feeds, a Tucson-based agribusiness, will be the featured speaker Tuesday evening, March 6 following the opening banquet. Dr. Cardon will speak on "Grain Processing - Current Status".

Recently Cardon gained nationwide publicity by his advocacy of a "biological" versus a "chemical" zero concept in determining acceptable levels of residues in foods. With the ability to detect parts per trillion, it is next to impossible to have a zero chemical standard, according to Cardon.

The Wednesday, March 7 portion of the conference will feature the following presentations beginning at 9:00 AM: "Fertilizer and Grain Quality" - Dr. Dale Baker of Penn State; "Fertilizer and Forage Quality" - Dr. John Baylor of Penn State.

"The Quantitative Analysis of Aflatoxin" - Dr. C. W. Hesseltine, Chief of USDA's Fermentation Laboratory, Agricultural Research Service, Peoria, Illinois.

"Feed Quality and Supplements Needed for Poultry" - Dr. Roland Leach of Penn State; "Feed Quality and Supplements for Dairy Cattle" - Dr. Richard Adams of Penn State; "Grain Standards and Grain Quality" - Dr. Robert Pfeifer of Penn State.

A panel discussion entitled "Emergency Feed Programs - Past, Present and Future" will follow, featuring Edward D. Hews, Director, Commodity Loan and Service Division, USDA, Washington, representing government; Clarence Gummo, Dairyman from Port Matilda, Pennsylvania, representing farmers; and Donald W. Parke

Executive Vice President, PennAg Industries Association, representing industry.

In addition to Dr. Long the conference committee was composed from Penn State faculty Dr. Owen Keene, Dr. Erskin Cash, Dr. Robert Pfeifer, Dr. David Kradel and Dr. Earl Partenheimer; from PennAg Industries Association, Dr. Thomas Zeigler, Robert Osmon, Samuel Wilson, Jr., Dr. E. I. Robertson, Harry Stambaugh and Donald W. Parke.

The conference is open to all who have interest. For reservations contact: Ag Conference Coordinator, 410 J.O. Keller Conference Center, Penn State University, University Park, Pennsylvania 16802. Cost is \$6.00 for the banquet on March 6 and \$12.00 for the session March 7 which will include conference materials and luncheon.

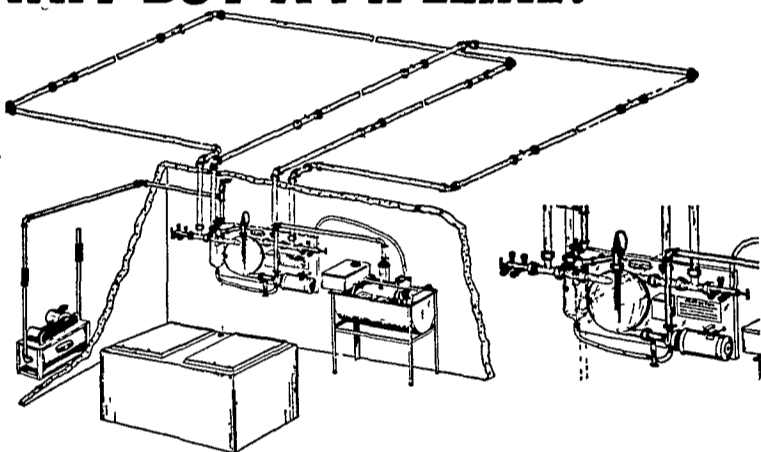
# AGWAY

## STA-RITE CAN PUT A PIPELINE IN ANY BARN WHY BUY A PIPELINE?

For An Average  
40 Cow Herd

You Can . . .

1. Save walking 100 miles a year.
2. Save carrying 292 tons of milk a year.
3. Save 200 hours per year on an average herd.
4. Produce higher quality milk.
5. Increase your milk production.



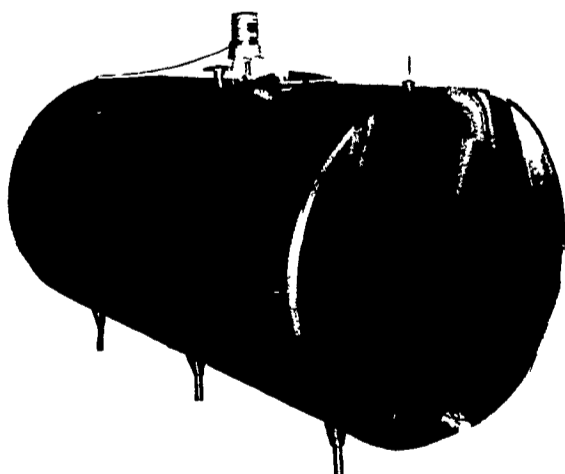
## WHY BUY A STA-RITE PIPELINE?

1. Engineered for the modern dairy farm of today as well as the dairy farm of tomorrow. Around the barn pipelines and milking parlors.
2. The only milkhouse control unit that is assembled at our modern new factory on a stainless steel panel. Pretested for trouble free operation, self-draining with patented washing features.
3. Built and guaranteed by Sta-Rite Industries, Inc., of Delavan, Wisconsin, a recognized leader in home water systems and agricultural components.

— 24 Hour Milking Equipment Service  
— Installation and Service

CALL TODAY AND ASK FOR AN APPOINTMENT

## MOVE UP TO THE NEW SUNSET "SPACE SAVER"



Move up in convenience as you add capacity. The "SPACE SAVER'S" shape, with its single positive-closing cover makes it ideal for automatic Sunset Spin-Clean washing. It's easier, more thorough, more economical, with no overspray.

The Latest Development in  
Stainless Steel Milk Coolers  
for the Expanding Dairyman.

Move up in capacity without adding space. This efficient atmospheric cooler with the modern, elliptical shape gives up to 50 per cent more capacity in the same floor space.

Move up in versatility. "SPACE SAVERS" are "Advanced Evaporator" models which can be installed with one or two compressors, controlled from a dual refrigeration system. These "AE" designed coolers permit buying for your present production needs and allow future expansion at lowest cost.

Four "SPACE SAVER" sizes: 600, 800, 1,000 and 1,500 gallons.



## SUPPLY CENTER

1027 Dillerville Road, Lancaster  
24 Hour Service Daily — Ph: 717-397-4761

## Fix-It Tip

You can have light switches that are silent, that glow in the dark, that dim or brighten the light and even switches that consist of a single large button which you can hit with your elbow when your hands are full.

They are all installed just like the old push-button switches probably still in use in many homes.

When replacing the switches, make sure the electricity is turned off. Remove the two screws holding the outer plate. Next remove the two screws holding the switch in the metal wall box. Remove the wire from the switch. Attach the wire to the new switch, making sure the wires go around the screw clockwise.

Put the switch in the way you removed the old one



## Aim for Big Yields

Here's the 3-way that can make big yields under a wide range of populations and soil conditions. Produces a large ear that's packed with heavy, golden grain Plant XL-374 this year.

DEPEND ON  
DEKALB



**XL-374, and other XL's now in stock**

"DEKALB" is a registered brand name "XL" numbers are hybrid designations

**P. L. ROHRER & BRO., INC.**

Smoketown, Pa.

Ph. 397-3539