

## Mrs. Evelyn Hess . . .

(Continued From Page 24)

Dairy Co-op at Allentown where they ship their milk. The board meets every other Monday in nearly an all day session. Bob is a director of the First National Bank of Strasburg. This board meets every Tuesday morning. He is also a state director of DHIA. He was formerly a director of the county DHIA. He is on the planning commission for Strasburg Township and on the historical committee for Strasburg borough. He qualifies on this committee because he has land, a house and apartments in the borough.

Hesses have four children. Rob (Robert D.) graduated in 1972 from Lampeter-Strasburg High School. He works at Sangrey Furniture on route 896 north of Strasburg. He also works on the farm in the mornings before he goes to work at the store and on weekends. He does the farm work one weekend of the month when the hired man has off. Rob is president of the 4-H Holstein

Club. They had their banquet in November. He owns three cows and four heifers and has two of his animals as a 4-H project. He shows at Lampeter Fair and the district 4-H show. He won showmanship prize at the 1972 Lampeter Fair and often took first prize on a heifer which he sold. He likes to judge animals. In 1971 he was an alternate on the county 4-H dairy judging team. They won in the state so he was on the state team that went to Kansas City. The next year he was on the team judging at Pennsylvania State University for four days. They won first place again. He just completed a twelve weeks Dale Carnegie Sales course. January 26 he left Park City by bus to New York City where he flew to Zurich, Switzerland then by bus to Davos on a skiing trip. He will arrive home again February 4.

Debbie (Deborah) is 16 and a Junior at Lampeter-Strasburg High School. She was crowned 1972 Lampeter Fair Queen and is

reigning till the 1973 fair. She is a pom pom girl, a varsity cheer leader, plays varsity hockey and was appointed to the Governor's Safety Council to represent Lampeter-Strasburg High School. She won honorable mention at the county 4-H dress review for a sports outfit she made. Debbie has a cow and a heifer as a project in the 4-H Dairy Club. She owns four heifers and cows.

Kim is 15 and in tenth grade at Lampeter-Strasburg High School. She is vice president of her class. She is a varsity cheer leader and a football cheer leader. She is secretary of the Mennonite Youth Fellowship group at her church. She is in the 4-H sewing club and the 4-H dairy club. She had one cow as her 4-H project. She owns two cows and one heifer. In the summer both girls help drive tractors to rake and bale hay and take care of the lawn. All three children played instruments in elementary school.

Jack (John Mark) is 11 and in sixth grade at Martin Mylin Middle School. He plays an instrument at school. His main love is sports. He plays football on the Strasburg Community Midget football team and also on the baseball team. He has a heifer in the 4-H club. He has been in the club two years. He will get a new heifer this year. He has a mini bike and loves to tinker with it. He helps in the evenings at the barn. He feeds, sweeps, beds and carries milk.

Mrs. Hess and Debbie go with Bud Dean, Strasburg R.1, Fridays from May till October to help at his market stand at the Germantown Farmers' Market. He sells fresh vegetables. Debbie also helps Tuesdays.

Yes, the Hesses are busy people but still find time to enjoy life. Bob and Evelyn belong to the Conewago Ski Club. There are eleven couples from all over the

county in it. They ski locally sometimes but more often go to Denton Hill or Elk Mountain to ski. Evelyn says "I enjoy it, I enjoy the fellowship." Six of the sons of these members went with Rob to Switzerland this week to ski. Debbie skis also.

Bob belongs to a 13 member hunting club. They have a cabin on the Tioga-Potter County line near Galeton. Besides hunting the families go there in the summer and fall to fish. The club members also go to hockey games and go out to eat together.

The Hess family enjoys doing things together. They go to the high school basketball games Tuesday and Friday nights. They added a room to their house for Bob's office but made it large enough to house a full size pool table.

They enjoy traveling. In 1969 the family flew to Anaheim, California. They rented a car and drove home. They were traveling over two weeks. Last winter Mr. and Mrs. Hess combined a pleasure trip to Florida with attending a convention there. And last year they went to Puerto Rico once on a three day trip and another time for four days. The one was a pleasure trip and the other time a corporation Bob belongs to had a meeting there so it was partly a pleasure trip also. November 1972 they attended a realtors' convention in Hawaii. They toured Pearl Harbor by boat and thoroughly enjoyed the trip.

Evelyn has bowled on the "Tuesday Morning Swingers" league at Strasburg for two years. There are four on their team and there are several teams. She says "I enjoy it, I look forward to it."

Hesses have quite a few antiques that have come down through their family. One prized piece is a 125 year old bed that belonged to Bob's great grandmother.

Evelyn enjoys growing flowers in the summer. She plants cannas around the barn and grows many annuals. She also has tulips and daffodils in the springtime. Another of her hobbies is reading. She reads a lot of periodicals and magazines, gets books from a library and swaps books with

friends. She loves to bake, especially cookies. Here are some of her recipes.

**Chocolate Cup Cakes**  
2 cups light brown sugar  
½ cup cocoa  
½ cup shortening  
Cream these together well.

Add:  
2 eggs  
Mix well, add  
½ cup water  
½ cup milk  
1 teaspoon vanilla  
Mix again. Stir in:  
2 cups flour  
2 teaspoons baking soda  
Pour into cupcake papers.  
Bake at 350 degrees for 18 to 20 minutes. Makes about 30 large size cupcakes. Can also be baked in loaf pan.

**Scalloped Potatoes**  
Melt ½ cup butter. Add  
1 teaspoon parsley flakes.  
Also add:  
¼ cup chopped onions  
1 teaspoon dry or prepared mustard  
1 teaspoon salt  
¼ teaspoon pepper  
¼ cup milk  
¼ lb yellow American cheese  
6 medium boiled potatoes  
Dice potatoes and place in casserole. Pour sauce over and bake at 350 degrees for ¾ hour.

**French Dressing**  
1 can condensed tomato soup  
½ cup sugar  
2 teaspoons salt  
1½ teaspoons dry mustard  
½ teaspoon paprika  
1 cup salad oil  
¾ cup cider vinegar  
½ cup tarragon vinegar  
1 teaspoon Worcestershire sauce  
medium onion (grated)  
Beat or blend well until the sugar is well dissolved

**Strawberry Pudding**  
2 3 oz boxes strawberry jello  
2 cups hot water  
2 small boxes frozen strawberries (1 qt.)  
2 No. 2 can crushed pineapple (drained)  
1 cup cold water

**Topping**  
½ cup sugar  
3 tablespoons flour  
1 cup pineapple juice  
1 egg (beaten)  
Cook until thick. Add 2 tablespoons butter. When cool add 1 pkg Dream Whip.



### A NEW SERVICE FOR FARMERS

We'll wash your whale if you have one . . . and we can help you with your farm clean up chores too! We clean and sanitize poultry houses, milk parlors and cattle stalls quickly and thoroughly. We do paint stripping too!

Whale O Wash can tackle any cleaning problem you may have. For COMMERCIAL customers we clean heavy equipment - truck fleets, construction equipment, tractors, trailers - and even aluminum brightening. For INDUSTRY we clean signs, tanks (inside and out), interior and exterior walls and degrease floors and machinery. For MOBILE HOME OWNERS we can clean exterior surfaces, canopies and porches, fuel storage tanks and provide an exterior waxing service. For the HOME OWNER - we clean exterior surfaces, basement walls and floors and asphalt and cement flooring. If you have a cleaning problem we haven't mentioned CALL US. We'll work out a solution with you.

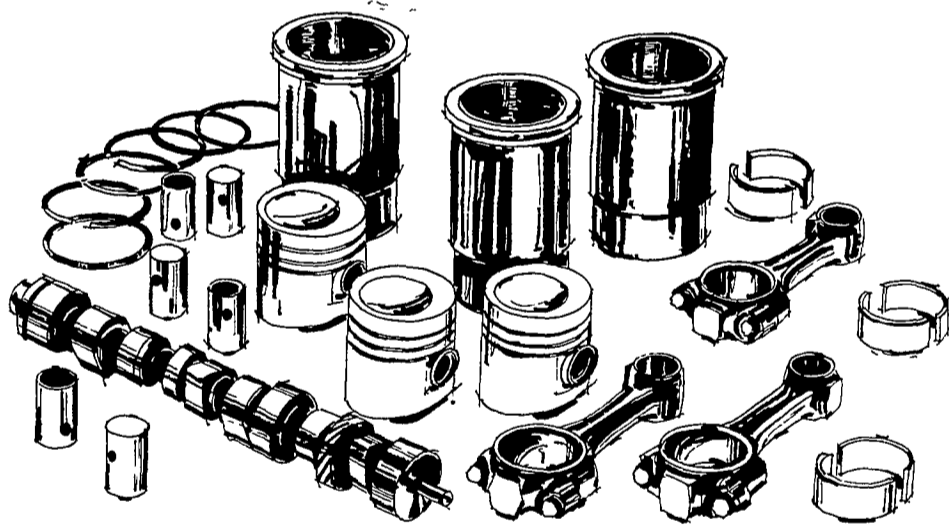
Telephone: (717) 393-3600

MOBILE HIGH PRESSURE WASHING SERVICE

## WHALE-O-WASH

20 East James Street Lancaster, Pa 17602





**These engine parts  
can tell the difference  
between new TORQ-GARD  
and the oil  
you're presently using**

Camshaft, cam followers, pistons, connecting-rod bearings — these and other vital engine parts get a longer lease on life with new John Deere Torq-Gard especially in tough, steady going. That's why John Deere created Torq-Gard, the first engine oil custom-made for long hours of grueling work. Thanks to its "Magnetic Formula," your tractors and similar power equipment get better protection — against valve-train wear and scuffing, high-temperature piston deposits, rust, and corrosion. For longer, more trouble-free engine life — see us for a Torq-Gard refill . . . now!



**TORQ-GARD  
Engine Oil**

**A. B. C. GROFF, INC.**  
New Holland 354-4191

**WENGER IMPLEMENT, INC.**  
The Buck 284-4141

**EDWIN HURST INC.**  
Adamstown, Pa. 215-484-4391

**LANDIS BROS. INC.**  
Lancaster 393-3906

**M. S. YEARSLEY & SONS**  
West Chester 696-2990

**SHOTZBERGER'S**  
Elm 665-2141

## HERE'S THE CORN

### V2642 - 119 day maturity

A Champion. Short-stalked, upright leaf, with a really high yield and potential. Moderately high population

### V2592 - 118 day maturity

By demand. A special hybrid for the East, large-eared, excellent stalk, and fast drying.

### V2552 - 113 day maturity

This is a high population hybrid. Pour on the fertilizer, early tasseling and silking a high yielder.

### V2402 - 102 day maturity

The big yielder. Tough to beat anywhere. Indiana reports over 200 bushels yield. Early plant hybrid.

### V2332 - 94 day maturity

Tremendous yield potential. Early. Fast drying. High yielder. Picks and shells beautifully.

CONTACT  
**REIST SEED CO.**  
Mt. Joy, Pa. Phone 653-4121  
[SINCE 1925]