

Contract Operations

(Continued From Page 8)

of our citrus production is vertically integrated—usually with processors owning their own groves.

The Future
ERS sees little reason to

believe there will be a rapid rush into these forms of closer coordination. The gain of 3 percentage points last decade reflects considerable stability. In many commodities there's little need for close coordination

between farmers and businessmen off the farm. For example markets and long established production technologies for food and feed grains make it unnecessary for producers—or marketers—to initiate production contracts or integrate vertically.

While tight supply situations or special economic needs may dictate occasional increases in closer coordination—as is happening now with cotton—these may well be offset by decreases in other crops as the special needs decline—witness the example of dry beans and peas.

Whatever occurs, though, ERS economists expect overall growth of closer coordination to be gradual.

Farmline SINGLE-PHASE

1 TO 10 H.P.

Motors



ELECTROMECH

34 NORTH READING ROAD
EPHRATA, PA 17522

717-733-7911



AGWAY

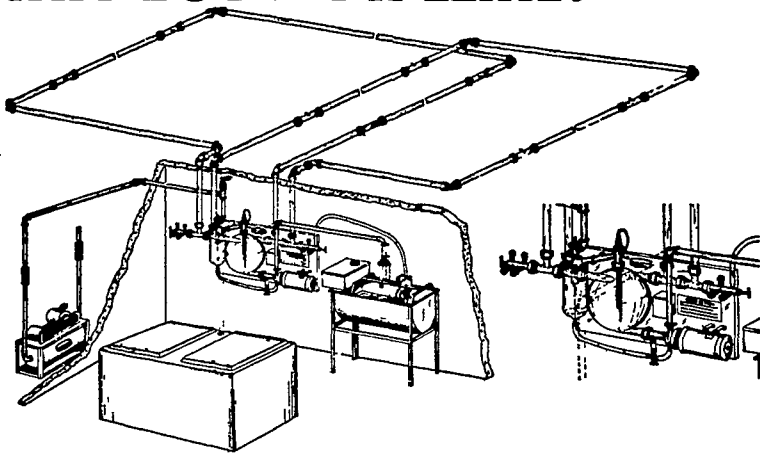
STA-RITE CAN PUT A PIPELINE IN ANY BARN

WHY BUY A PIPELINE?

For An Average
40 Cow Herd

You Can . . .

1. Save walking 100 miles a year.
2. Save carrying 292 tons of milk a year.
3. Save 200 hours per year on an average herd.
4. Produce higher quality milk.
5. Increase your milk production.



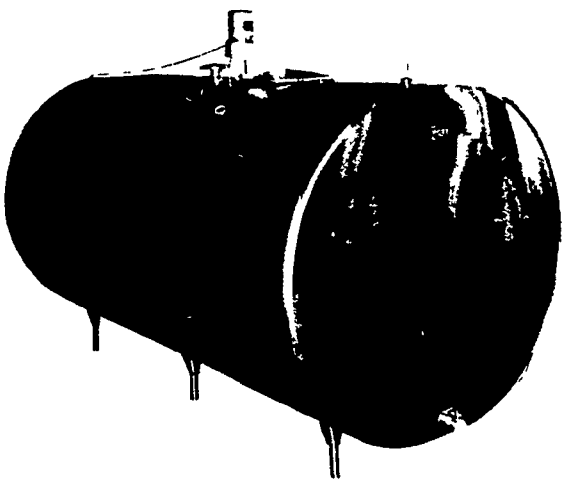
WHY BUY A STA-RITE PIPELINE?

1. Engineered for the modern dairy farm of today as well as the dairy farm of tomorrow. Around the barn pipelines and milking parlors.
2. The only milkhouse control unit that is assembled at our modern new factory on a stainless steel panel. Pretested for trouble free operation, self-draining with patented washing features.
3. Built and guaranteed by Sta-Rite Industries, Inc., of Delavan, Wisconsin, a recognized leader in home water systems and agricultural components.

— 24 Hour Milking Equipment Service
— Installation and Service

CALL TODAY AND ASK FOR AN APPOINTMENT

MOVE UP TO THE NEW SUNSET "SPACE SAVER"



Move up in convenience as you add capacity. The "SPACE SAVER'S" shape, with its single positive-closing cover makes it ideal for automatic Sunset Spin-Clean washing. It's easier, more thorough, more economical, with no overspray.

The Latest Development in
Stainless Steel Milk Coolers
for the Expanding Dairyman.

Move up in capacity without adding space. This efficient atmospheric cooler with the modern, elliptical shape gives up to 50 per cent more capacity in the same floor space.

Move up in versatility. "SPACE SAVERS" are "Advanced Evaporator" models which can be installed with one or two compressors, controlled from a dual refrigeration system. These "AE" designed coolers permit buying for your present production needs and allow future expansion at lowest cost.

Four "SPACE SAVER" sizes: 600, 800, 1,000 and 1,500 gallons.



SUPPLY CENTER

1027 Dillerville Road, Lancaster
24 Hour Service Daily — Ph: 717-397-4761



Warwick High School's Future Homemakers of America Club elected officers for the coming year at a recent meeting. Standing closest to the camera are, left, Sandy Beyer, historian, and Linda Kreider, treasurer. In the rear, from left to right, are Cindy Rhodes, vice-president, Connie Eberly, secretary, and Marlo Bollinger, president.

LANCO BEDDING

FOR POULTRY & LIVESTOCK

WOOD SHAVINGS & PEANUT HULLS

PEANUT HULLS NOW AVAILABLE.

CALL 299-3541



THIS CROP HUSTLER TRACTOR IS FOR YOU

... IF

You've got what it takes.

That is . . . the right type soil and conditions on your farm

plus . . .

The leadership to step out ahead of the crowd . . . to be your own man.

To accept new, exciting ideas in farming.

A desire to farm all your life, but not to spend all your life farming.

So . . .

Come in soon and let's talk about the 175 and 185 CROP HUSTLER tractor . . . a whole new concept in farming.

Nissley Farm Service
Washington Boro, Pa.

Grumelli Farm Service
Quarryville, Pa.

L. H. Brubaker
Lancaster, Pa.



ALLIS-CHALMERS

Roy H. Buch, Inc.
Ephrata, R. D. 2