

Farm Women Societies

(Continued From Page 24)

East Petersburg, assisted by Mrs. Harry Wieder, will be rescheduled in the 1973 calendar.

The next meeting of the Society is planned for 1:30 p.m. October 7 in the home of Mrs. John Esbenshade, 1740 New Holland Pike. A conversation meeting is planned with members moving about talking with each other. A conversation starter will be discussions of "What I Like About the Autumn Season." Each member is asked to bring an item to sell at a miscellaneous auction. Mrs. Loretta Shenk will be auctioneer.

Society 13

Farm women Society 13 met at the home of Mrs. Elsie Wilson,

729 N. Franklin St., Lancaster. Mrs. Earl Kendig, Ronks, served as cohostess and led the devotions.

For the program portion of the meeting, arts and crafts were demonstrated by the members who attended homemaker's camp.

Mrs. R. Eugene Hummel, president, presided over the meeting. She announced that tickets are now available for the County Convention to be held November 4 at the Lancaster School of the Bible. Mrs. William Schroeder volunteered to make two centerpieces for the convention.

Society 13 will be entertained by Society 30 at Stauffers of Kissel Hill, Lititz, on September 18 at 7:30.

Mrs. Isaac Koser gave a report

on the nominating committee. Candidates for officers are as follows: Mrs. Irwin Leaman, president; Mrs. Gordon Rietzal, vice-president; Mrs. Ervin Brown, secretary; Mrs. William Schroeder, corresponding secretary; Mrs. John Denlinger, treasurer. Voting will be held at the October meeting.

The next meeting will be held October 13 at 7:30 p.m. at the home of Mrs. Irwin Leaman, Ronks.

Society 19

Farm Women Society 19 met recently at the home of Mrs. Lloyd Rohrer, Lititz RD4. Mrs. Henry Martin served as cohostess. The opening song for the September meeting was "School Days."

Devotional thoughts on Psalm 119 were given by Mrs. Harold Saylor.

Twenty-one women responded to roll call, "What I do that I know is unsafe." Raymond Mullin, teacher of safety education at Millersville State College, discussed "Accidents are not Accidental." He stressed the importance of teaching safety in the home and school.

Society 19, which supports an orphan from Colombia, South America, voted to send \$25 as a Christmas gift to her. The ways and means committee urged candy sales for her benefit. Anyone interested contact Mrs. Daniel Rohrer, 8980 898-7797, for orders.

The newly elected vice-president is Mrs. A. Ross Weaver. Mrs. Charles Musser was reelected as treasurer.

The group will meet at 1:30 p.m. October 21 at the Lititz Church of the Brethren to entertain Society 2.

Society 23

Farm Women Society 23 donated \$100 to the Mennonite Mission in Salunga for flood relief at their recent supper meeting held at the home of Mrs. Ralph Kauffman, Lancaster RD2. Mrs. Ben Shenk led the devotions.

The Society entertained the members of Society 6.

Other donations and gifts approved by the members were: \$25 to the Flora Black Memorial Scholarship Fund of the Society of Farm Women of Pennsylvania; a \$15 birthday gift to the Korean orphan sponsored by the group and a birthday gift was sent to a boy at the Hamburg State School and Hospital.

The program entitled "Talking to Grandpa" was presented by Mrs. Esther Eby Glass, Bird-in-Hand.

Mrs. Howard Martin, president, announced the names of the nominating committee. They are Mrs. Jay Charles, Mrs. Lester Newcomer and Mrs. Paul Funk.

Plans were finalized for a refreshment stand at the sale of Jacob Shaub, Blue Rock Road, on Saturday, September 16 beginning at 10 a.m. Mrs. J. Clayton Charles is in charge of the stand. Members are asked to supply pies and cakes. Soup, sandwiches and beverages will also be served.

The next meeting of Farm Society 23 will be held at the home of Mrs. Edgar Funk, Anchor Rd., Washington Boro RD1 at 7:30 p.m. October 3.

Society 25

Farm Women Society 25 met last Saturday, September 9, at the Highville Fire Hall for the Anniversary Banquet. Wade Groff led the prayer.

Mrs. Chester Eshleman, vice-president, conducted the business meeting. Six members volunteered to fold Christmas Seals on October 12 between 1 and 4 p.m. at the Health and Welfare Center, Janet Avenue, Lancaster.

The group will entertain the patients in the psychiatric ward of Lancaster General Hospital

October 13. Members planning to go will meet at 6:30 p.m. at Mrs. Melvin Groff's, Lancaster RD6.

The Farm Women County Convention will be held Saturday, November 4. Each Society is to make two table centerpieces and these will be given as door prizes.

Guest speaker for the meeting was Mrs. Clayton Keener, Ref-ton. The talk, entitled "A Trip to Lancaster", and a book review on "How to Enjoy this Moment" by David Silverstone, was given.

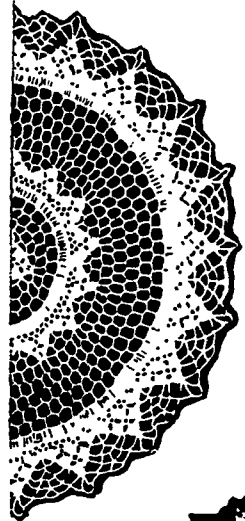
The next meeting will be a food sale at the home of Mrs. Glenn Nauman at 1:30 p.m. October 14.

Just saved three bucks on a haircut. One of the boys brought the latest copy of our favorite girlie magazine to work, and we ogled it here.

Diplomatic relations is what we have very few of.

Needle Arts

By NANCY SEWELL



5460

The Classic

This classic design adds a gleam to tabletops. Pattern No. 5460 has crochet directions for 33-in h centerpiece; stitch illustrations

TO ORDER, send 60 cents for each pattern with name, address with zip code, pattern number and size to NEEDLE ARTS, P O Box 5251, Chicago, Ill. 60680.

SPECIAL PRICE ON

- Silo Plastics by the roll and silo caps. All sizes.
- ACID CLEANERS
- MAES INFLATIONS
- Cattle Wormers

AARON S. GROFF

Farm & Dairy Store

RD3, Ephrata, Pa.

Phone 354-0744

17572 (Hinkletown)

Store Hours 7 A.M. to 9 P.M.
Closed Tue. & Sat. at 5:30 P.M.

NEW FARM MACHINERY

TRACTORS—JD 4320, 4020, with or without cab.

COMBINE—JD 7700

PLOWS—JD 4, 5 and 6 bottom

FORAGE HARVESTERS—JD 35 and 34, 16A Flail

ROTARY MOWERS—JD 727 and 307

GRAIN DRILLS—JD B, 217C, B207.

Waiver of finance charges until Mar. 1, 1973 on most of the above.

CECILTON FARM & HOME SUPPLY

Highway 282, Cecil Co.
Cecilton, Md. 21913
Phone 301-275-3601

★ ★ ★ ★ ★
MORE FROM
MORIARTY
SUBSIDIARY: WICKES CORP.
★ ★ ★ ★ ★

Clear-Span BUILDINGS

- Professionally engineered structures, wide clear spans.
- Rust-free aluminum or corrosion-resistant steel siding and roofing. Beautiful colors.
- Free planning service.

COMPARE OUR QUALITY.
CHECK OUR LOW PRICE

EPHRATA, PA.
(717) 733-2312

For local service, call
717-733-7750

HOME AND FARM IMPROVEMENTS

Improve the Value and appearance of your farm or home with a low cost surfacing material applied by S.M. McMinn, Inc.

FREE ESTIMATES

Oil and Chip Surfacing
FARM LANES
LONG DRIVES
PARKING AREAS

Driveway Sealing
DRIVEWAYS
PATIOS
WALKWAYS

S. M. McMinn, Inc.

POST OFFICE BOX 845
LINCOLN HIGHWAY EAST
LANCASTER, PENNSYLVANIA

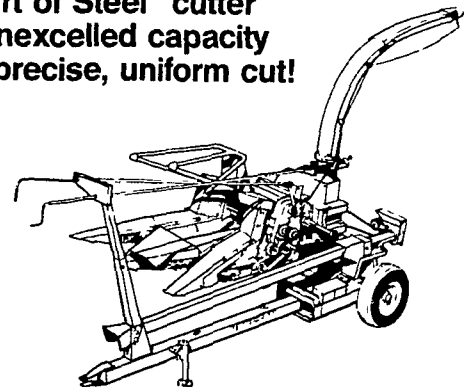
MR. RICHARDSON
MR. McMINN

Phone 299-2864

HESSTON

PULL-TYPE MODEL 2000 Forage Harvesters

"Heart of Steel" cutter for unexcelled capacity and precise, uniform cut!



The Hesston 2000 Forage Harvester is available in two models the 2000/150 with 150 hp drive train rating and the 2000/100 with 100 hp drive train rating. In most other respects the two models are identical so you can select the rating to match your crop and budget requirements. "Heart of steel" cutter has small diameter with spiral knives that permit proper angling of the blades in addition to a proper pitch on cutting edge. Get multi-crop versatility with a selection of corn headers, snapper headers or pick-up header. Come in and choose today!

STAUFFER DIESEL, INC.

312 W. Main St. New Holland, Pa.
Phone (717) 354-4181