

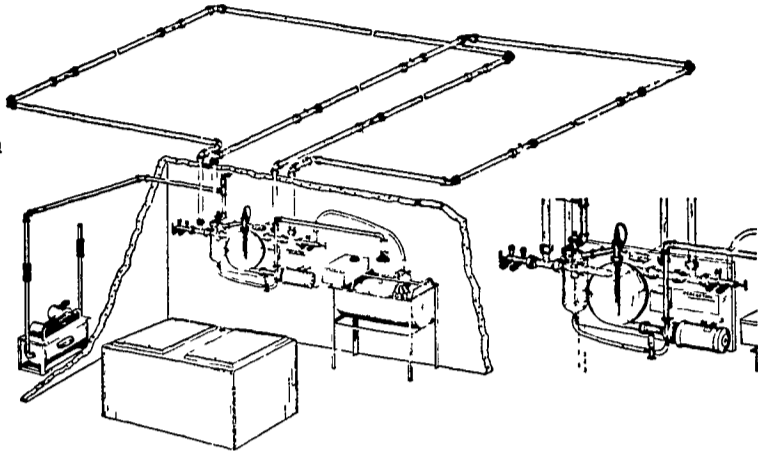
AGWAY

STA-RITE Can Put A Pipeline In Any Barn WHY BUY A PIPELINE?

For An Average
40 Cow Herd

You Can . . .

1. Save walking 100 miles a year.
2. Save carrying 292 tons of milk a year.
3. Save 200 hours per year on an average herd.
4. Produce higher quality milk.
5. Increase your milk production.



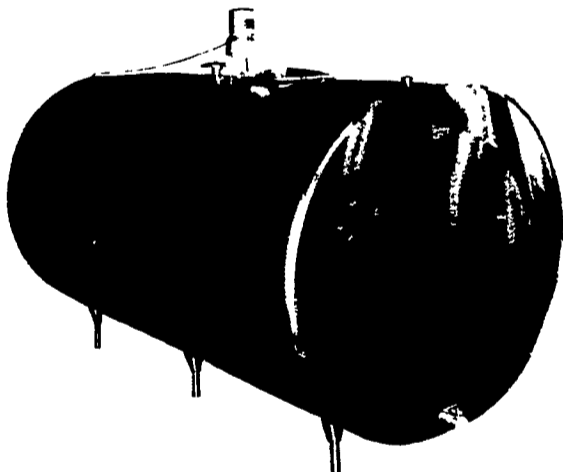
WHY BUY A STA-RITE PIPELINE?

1. Engineered for the modern dairy farm of today as well as the dairy farm of tomorrow. Around the barn pipelines and milking parlors.
2. The only milkhouse control unit that is assembled at our modern new factory on a stainless steel panel. Pretested for trouble free operation, self-draining with patented washing features.
3. Built and guaranteed by Sta-Rite Industries, Inc., of Delavan, Wisconsin, a recognized leader in home water systems and agricultural components.

- 24 Hour Milking Equipment Service
- Installation and Service

CALL TODAY AND ASK FOR AN APPOINTMENT

MOVE UP TO THE NEW SUNSET "SPACE SAVER"



Move up in convenience as you add capacity. The "SPACE SAVER'S" shape, with its single positive-closing cover makes it ideal for automatic Sunset Spin-Clean washing. It's easier, more thorough, more economical, with no overspray.

*The Latest Development in
Stainless Steel Milk Coolers
for the Expanding Dairyman.*

Move up in capacity without adding space. This efficient atmospheric cooler with the modern, elliptical shape gives up to 50 per cent more capacity in the same floor space.

Move up in versatility. "SPACE SAVERS" are "Advanced Evaporator" models which can be installed with one or two compressors, controlled from a dual refrigeration system. These "AE" designed coolers permit buying for your present production needs and allow future expansion at lowest cost.

Four "SPACE SAVER" sizes: 600, 800, 1,000 and 1,500 gallons

LABOR SAVING EQUIPMENT



- BARN CLEANERS
- SILO UNLOADERS
- CATTLE FEEDING SYSTEMS



SUPPLY CENTER

1027 DILLERVILLE ROAD, LANCASTER

24 HOUR SERVICE DAILY PH: 717-397-4761

Conestoga Valley 4-H Cooking Club Organizes

Conestoga Valley 4-H Cooking Club members and their mothers met recently at the Witmer Fire Hall. Miss Joan Lucas, assistant Lancaster County home economist, was present to help organize the Club and inform the girls of the projects.

"Tricks for Treats," a 4-H project book, will be used during the six weeks "Fun with Foods" program starting June 13 at the Conestoga Valley High School. The meeting will be held from 11 a.m. to 2:30 p.m.

The club elected the following

officers: Karen Esser, president; Sandy Myers, vice-president; Susan Pickell, secretary; Michele Forrest, news reporter; Mrs. Lewis Mengle is Club leader.

4-H Calendar

Wednesday, June 7

7:30 p.m. - 4-H Dairy Cattle meeting and practice session, Farm and Home Center.

Red Rose 4-H Baby Beef and Lamb Club, Farm and Home Center.

Thursday, June 8

7 p.m. - Elizabethtown-Donegal 4-H Club Ice Cream party, home of Darwin Nissley

Friday, June 9

Penn Willows 4-H Club talent show

Saturday, June 10

Saddle Cinches 4-H Club trip to Cowtown Rodeo.

Penryn Elm Club

The Penryn-Elm 4-H Sewing Club will hold its first meeting from 1 to 3 p.m. Tuesday, June 13, at the Manheim Central Junior High School in the home economics department.

Contact Mrs. Gerald Myer, 665-5916, or Mrs. Mark Nestleroth, 665-6220, Club leaders, for further information.

Storage Times for Meats

The United States Department of Agriculture says you can safely freeze beef and lamb roasts, steaks and chops for eight to twelve months, fresh pork for four to eight months, ground beef and lamb for three to four months, and pork sausage for one to three months.

ZIMMERMAN'S FARM EQUIPMENT

BALE ELEVATORS

724, 28, 32, 36 and 40 foot models.

FARM WAGON GEAR

7 ton & 10 ton sizes with or without Tires

FEED PROPORTIONER METER

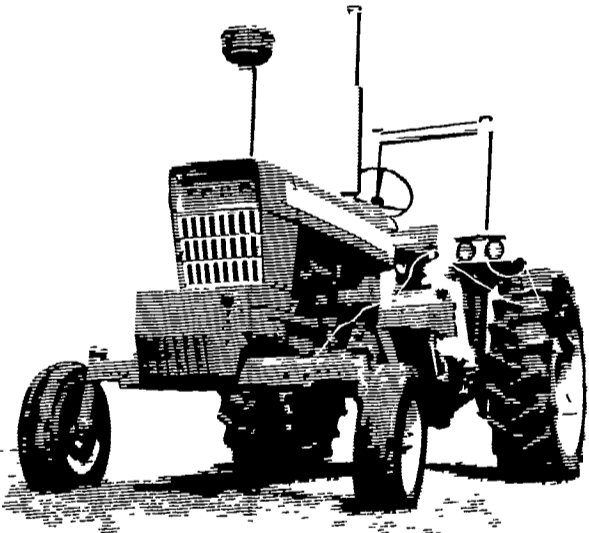
FEED CARTS
16 bushel capacity — Galvanized construction

We are the manufacturers of the Air-O-Matic ventilation equipment, egg carts and poultry house cleanout equipment. Call us for the name of the dealer in your area.

ZIMMERMAN MFG. CORP.

Voganville Road, R 1
New Holland, Pa. 17557
Phone 717-354-9611
George M. Zimmerman

NEW FORD 7000



83* turbocharged horses with amazing new Load Monitor

Come in and see this better 80 plus horsepower tractor in Ford Blue. Look over the many features that help you do more work with less effort.

Exclusive Ford Load Monitor gives you the most versatile draft control system ever. It regulates working depth of pull type, mounted and semi-mounted equipment with reaction so smooth you hardly notice it.

Power steering and single lever hydraulic control give you more complete command of your work. One lever controls 3 point hitch implements quickly and accurately.

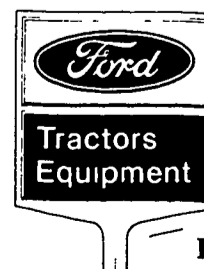
Differential lock keeps you going when fields are wet and slippery.

Deep-cushioned adjustable seat, convenient controls and roomy operator area ease those long days in the field.

Find out how easy it is to put more work behind you each day. Come in and get the feel of this powerful new Ford 7000.

*Maximum observed PTO hp, manufacturer's estimate.

See one now at



LANCASTER FORD TRACTOR INC.

2166 Willow Street Pike

Lancaster, Penna.

Ph. 464-2746