

Farmerette

(Continued from Page 26)

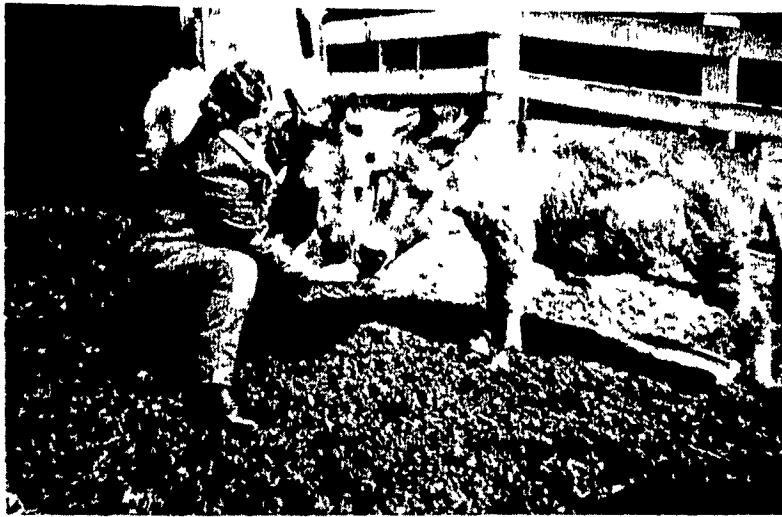
so she sold them and the pens. She raised dairy calves and fed them from the bucket. The calf starter is pretty expensive so she says she would like to get one dairy cow to nurse calves and to have for her own milk.

Shirley tried raising pigs. She had three sows and each had litters. She also fed and finished a good many pigs. She has gone out of the hog business.

She also had three horses. She had one mare and two of her colts. She used to ride the horse to herd her cattle and to check the fences. She sold the horses over a year ago and bought a trail bike. She says it's cheaper and quicker to check the fences and animals.

Shirley was born and raised in Lancaster. The family moved to Quaker Hills and she had the choice of going to McCaskey High School or Penn Manor. She took Penn Manor and graduated from there.

In school she played field



Shirley has "Bessie" and "Millie", her burros halter broken and feeds them from her hands.

hockey, basketball and took part in gymnastics. She and her brother used to do tumbling and flips together.

She started to work when she was 13. She worked at a grocery store evenings, week ends and holidays. Her parents bought her a typewriter when she was in school. When she was 16 she took a typing job. She was brought up to work for things and to take care of things.

Shirley was a practical nurse at St. Joseph's Hospital, Lancaster for seven years. She was in the first practical nursing class in Lancaster, in 1959. It was the first class to be licensed. It wasn't too well accepted the first couple years by registered nurses but later they appreciated their help.

She was the first practical nurse in the psychiatric ward and was in there two years. She was

also the first practical nurse in the emergency ward. She was there five years. She rode the ambulance and did just about everything there was to be done. She didn't like regular work on the floors but really enjoyed psychiatric and emergency ward work.

She drove to California and back twice. She lived at Long Beach one and a half years and at Long Island, N.Y. one year. She has been in just about every state. She likes traveling. She was at the New York World's Fair three times while she lived in New York.

Shirley enjoys all sports. She has taken part in skiing, horseback riding, tennis, ice skating, roller skating, sky diving and scuba diving.

She says "Of all the sports I've done, I think sky diving is the most enjoyable. It took two weeks, a couple times a week training, before I jumped. The highest I ever jumped was 12,000 feet." She sprained her right ankle on about her twenty eighth or thirtieth jump and on her forth-third jump she broke her left ankle in three places and had to have a pin put in it.

She went scuba diving in California. She took lessons and got her license. She has all the equipment except the tanks, which she rents.

Shirley has a 22 rifle and a shot

gun. She goes for groundhogs three or four times a year but says "Missy" gets twice as many as I do." She also hunts for pheasants.

She enjoys bowling, goes a few times a year. She also goes skating and swimming.

Miss Dickel is a good housekeeper and has a ten room house to keep in order. This winter she took wallpaper off the walls of three bedrooms and put two coats of paint on them.

She used to have a parakeet and wants to get another one. She also wants to get a 10 or 20 gallon aquarium and raise fish.

She bought a pool table this winter. Her family likes to shoot pool with her, especially her mother. Her brother also has a pool table.

She does some paint-by-number pictures. She collects old bottles. She likes antiques and likes to go to sales.

She likes to refinish furniture more than anything else. She did some tables, a desk and is doing a wardrobe now. She likes to do it in winter.

Now that spring is coming Shirley will be digging her garden by hand. She grows lettuce, onions, cabbage, and tomatoes, which she cans. It is also the calving season so she will be well entertained for awhile.

In comparing farming with nursing she says "It's less profitable than nursing but a lot more rewarding and exciting. I really enjoy being outside, and the animals. Cow symptoms are similar to humans, that's where nursing comes in handy." Her day starts at six or seven a.m., except earlier in calving season, but she goes to bed at 9 or 9:30 p.m.

Of cooking, she says "Yes, I enjoy cooking but don't have so much time to do it. I get the chance to do it in winter more than summer."

Her favorite vegetable is sugar peas and this is how she prepares them:

SUGAR PEAS

String the sugar peas. Boil with

Eastern Antique Show

Over 200,000 antiques from around the world, the largest in the East, will be on display and for sale during the Eastern National Antiques Show, which will be held April 5th through April 8th at the State Farm Show Building, Harrisburg.

Paul Deatrich, Pennsylvania State Antiques Dealers Association, estimated the value of antiques to be in excess of one and one-half million dollars.

Visitors to the show will have an opportunity to see a large variety of quality antique furniture of many different periods because the antique furniture division has been expanded.

Deatrich pointed out that unusual displays of glass, china, iron, pewter and earthenware will be arrayed. Collectors will be interested to see the many displays of rare paintings, coins, prints and books that make this antiques show one of the most well rounded and beautifully staged anywhere in the United States.

With 180 of the top antique dealers exhibiting their finest antiques, the four-day show is expected to draw antique enthusiasts from a 14-state area.

The show opens at 12 noon April 5, 6 and 7 and at 10 a.m., Saturday, April 8. Free parking for 10,000 cars will be available at the State Farm Show Building site.

potatoes till soft, about 1/2 hour to 45 minutes. Add salt, pepper, about 1/8 pound of butter. Cover with milk. Simmer about 10 minutes.

BEEF BARBECUE

Fry in butter:
1 medium onion
1 medium green pepper

Add:
1 whole stalk celery
1 pound ground beef
1 bottle ketchup
Simmer about one-half hour.

CRUMB CAKE

2 cups sugar
2 1/2 cups flour
Pinch Salt
1/2 cup butter
2 eggs
1 cup buttermilk
1 teaspoon baking soda
1 teaspoon vanilla
Mix flour, sugar, salt and butter. Then take 1 cup crumbs and set aside.

Mix remaining ingredients and put in pan. Sprinkle crumbs on top. Double recipe for three 9 inch cakes. Bake at 325 degrees.

BAKED BEANS

1/2 cup dark Karo syrup
1 tablespoon grated onion
1/2 cup brown sugar
1/4 pound bacon
2-1 pounds can pork and beans
Mix Karo, beans, onions and brown sugar in a two quart casserole. Arrange slices of bacon on top. Bake at 400 degrees about one hour.

GARBER OIL CO.
TEXACO HEATING OIL
BURNER SALES AND SERVICE
MOUNT JOY, PA.
Ph. 653-1821

BOLENS HUSKYS

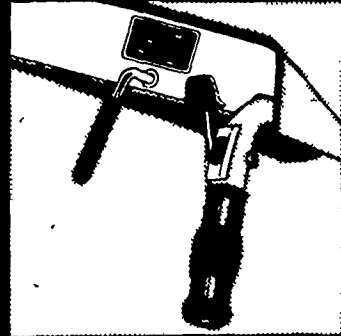
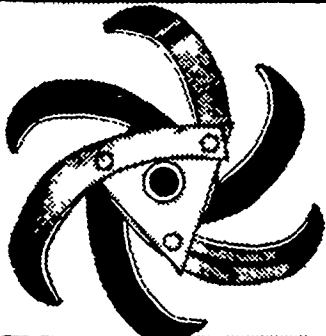
Break ground...
not your back!

not your back!



GUARANTEED TINES
(If tine should break, it will be replaced free of charge when sent to Bolens)

HANDLE CONTROLS



With this Mustang Tiller So tough we guarantee tines against breakage. Maximum tilling width is 46 1/2", digging depth is 6". Handle controls for safety, and better control. Stop by and see how tough a tiller can be. Available in 3 1/2, 4 & 5 h.p. models.

COMPLETE PARTS & SERVICE DEPT.

Farmersville Equipment Inc.

RD#2, Ephrata

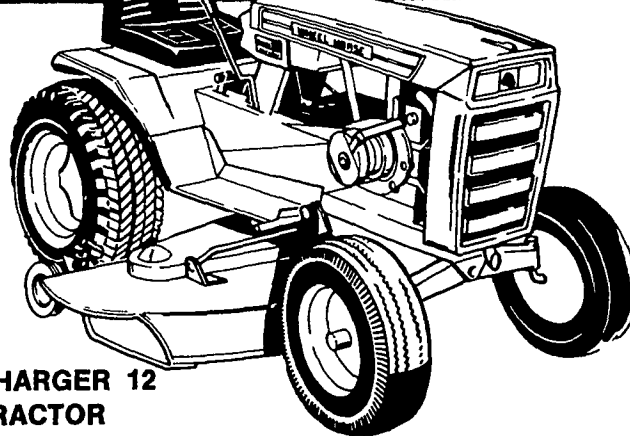
Located In Farmersville - Ph. 354-4271

MYER'S METERED GAS SERVICE, INC.

PIG BROODERS
CHICK BROODERS
GAS SPACE HEATERS & FURNACES

CHECK OUR PRICE ON
AUTOMATIC BULK DELIVERY OF L.P. GAS

P. O. BOX 71
MANHEIM, PA. 17545
Telephone (717) 665-3588



CHARGER 12
TRACTOR
Automatic/12 HP

METZLER MOWER SERVICE
Strasburg RD1, Pa. 17579 Phone 687-7995

SUPER SHOES

Self Service
2750 Columbia Ave.
Lancaster
Lanc. Co.'s Largest
Shoe Store
All 1st Quality
Super Low Prices