



Among 4-H'ers receiving top awards Thursday night at the annual Red Rose 4-H Baby Beef and Lamb Club banquet are: front, left to right, Elizabeth Herr, Farm Show grand champion pen of lambs; Robert Hess, Farm Show Shorthorn breed champion; Karen High, Farm Show reserve champion Shorthorn. Back row, Kenneth Brubaker, reserve grand champion steer at the district show, and both reserve

grand champion pen and individual sheep at the Farm Show; Elaine Herr, Reserve breed champion Charolais at the Farm Show, and Donnie Dorwart, grand champion Farm Show steer.

READ LANCASTER FARMING FOR FULL MARKET REPORTS

ARE HIGH SUPPLEMENT PRICES GETTING YOU DOWN



Switch to Mol-Mix liquid supplements. . . the money-saving way to insure maximum feed efficiency. Puts low-cost gains on your beef cattle and sheep, gets top production from your dairy herd.

Mol-Mix is a cane molasses-based supplement . . . a powerhouse of energy, protein, vitamins, and trace minerals. . . all in liquid form for quicker digestion and use. Mol-Mix is easier to handle, too. . . saves you trouble, time, and labor costs.

NOW FORTIFIED
with a new combination of power-packed ingredients.

**Distillers Solubles Phosphoric Acid
Condensed Fermented Corn Extractives
Ammonium Polyphosphate**

Join the crowd. Join the trend. Join the growing number of satisfied Mol-Mix customers. For more information see us today.

JOHN Z. MARTIN

New Holland R#1

Phone 717-354-5848

Mol-Mix the liquid leader
liquid supplements

TRY A CLASSIFIED AD-IT PAYS!



Business Man
MR. DAIRYMAN

BUILD YOUR MANAGEMENT-FOR-PROFIT PROGRAM AROUND PIONEER FEEDS...

Today's cows are capable of high level production — often as much as 2,000 lbs. more milk per cow per year than they are producing. PIONEER feeds and feeding programs can help you get those extra tons of milk from your cows. Challenge your herd. Feed the PIONEER way . . . find out how good your herd really is.

Stop in and see us. WE'LL help you develop an all around management for profit program that will put profit dollars in your pocket.



ELMER M. SHREINER

Trading as Good's Feed Mill
Specializing in DAIRY & HOG FEEDS
New Providence, Pa
Phone 786-2500

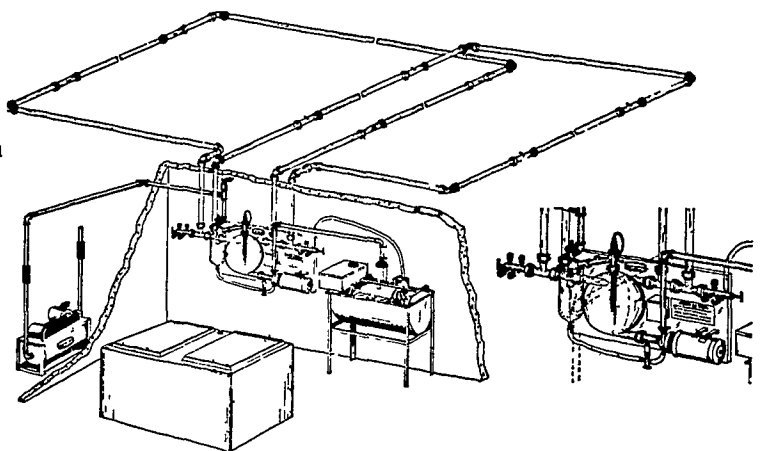
AGWAY

STA-RITE Can Put A Pipeline In Any Barn WHY BUY A PIPELINE?

For An Average 40 Cow Herd

You Can . . .

1. Save walking 100 miles a year.
2. Save carrying 292 tons of milk a year.
3. Save 200 hours per year on an average herd.
4. Produce higher quality milk.
5. Increase your milk production.



WHY BUY A STA-RITE PIPELINE?

1. Engineered for the modern dairy farm of today as well as the dairy farm of tomorrow. Around the barn pipelines and milking parlors.
2. The only milkhous control unit that is assembled at our modern new factory on a stainless steel panel. Pretested for trouble free operation, self-draining with patented washing features.
3. Built and guaranteed by Sta-Rite Industries, Inc., of Delavan, Wisconsin, a recognized leader in home water systems and agricultural components.

- 24 Hour Milking Equipment Service
- Installation and Service

CALL TODAY AND ASK FOR AN APPOINTMENT



SUPPLY CENTER

1027 Dillerville Road, Lancaster

24 Hour Service Daily

Ph: 717-397-4761