

Poultry Market Reports

Fogelsville

Tuesday, August 24

(Prices paid dock weights, cents per lb., except where noted)

HENS, heavy type 7-18½, mostly 10-15; PULLETS 15-35, M 25-32; ROASTERS 3-36, M 24-28; DUCKS 31-31½; DRACKES 8; GEESE 33½; RAB-BITS 13½-42, M 20-32; GUINEAS 1.41-1.60, M 1.60; PIGEONS (per pair) 50-3.05, M 50-65
TOTAL COOPS SOLD 532.

Delmarva

Wednesday, August 25

Ready-to-cook movement fair at best with offerings often reported freely made in effort to clear. Slaughter schedules about steady as plants attempting to keep live weights from becoming heavier than desired. Less than trucklot prices unchanged on both Plant and U.S. Grade A. Advance interest fairly good at generally unchanged levels with this week. Live supplies fully adequate. Undertone nervous but about steady. Negotiated trucklot prices 2-3 pound ready-to-cook broilers and fryers for delivery next week. U.S. Grade A —; Plant Grade 28-28½.

Pool trucklot prices for Thursday arrival in the New York area: U.S. Grade A 29-31 M 29-29½, Plant Grade 28-29 M 28-28½.

Special packs including 1¾, 2, 3½ pound sizes TFEWR

Eastern Pa. and N. J.

Wednesday, August 25

Prices held about steady on light type hens despite sharply increased offerings in some quarters as producers move flocks in face of sharply lower egg prices since first of the month. Demand fair. Offerings of heavy type hens barely adequate for a limited but fair demand. Prices paid at farm. Light type hens 4½-7 mostly 6½-7 in Pennsylvania mostly 6-6½ in New Jersey. Heavy type hens too few to report prices.

Weekly New York Egg Market

From Monday, August 23rd to Friday, August 27th

| | Mon. | Tues. | Wed. | Thurs. | Fri. |
|----------------|----------|-------|------|--------|------|
| WHITE | | | | | |
| Fcy. Ex. Large | 37 | 37 | 35 | 35 | 35 |
| Large | 32 | 32 | 31 | 31 | 31 |
| Mediums | 27 | 27 | 26 | 26 | 26 |
| Pullets | 22 | 22 | 22 | 22 | 20 |
| Peewees | 14 | 14 | 14 | 14 | 14 |
| BROWN | | | | | |
| Fcy. Large | 42 | 40 | 39 | 39 | 39 |
| Mediums | Unquoted | | | | |
| Pullets | Unquoted | | | | |
| Peewees | Unquoted | | | | |
| Standards | 28 | 28 | 27 | 27 | 26 |
| Checks | 18 | 18 | 18 | 18 | 17 |

Long Tone — Pullets and under grades easier. Large whites held a bit more confidentially. Supplies still ample.

Copyright 1971 by Urner Barry Publications

New York Eggs

Wednesday, August 25

Prices trended lower. Arrivals from the South are light with additional offerings readily available. Nearby receipts contain a heavy percentage of mediums, smalls and peewees. Street trading spotty, light in most quarters with slight improvement in others. Floor stocks of large ample, mediums plentiful, extra large and smalls fully adequate. Carton demand slow to just fair with spotty advanced interest developing for next weeks delivery at prices unchanged or lower than current sales.

Green Dragon Hay Market

Friday, August 20

Eight loads hay, including: Two loads Alfalfa, 39.50 and 51.00; few loads Timothy, 34.00-40.00; two loads Mixed hay, 35.00 and 41.50.

Seven loads straw, 32.00-34.50; one load 42.50.

Three loads ear corn, 46.00-48.00.

Hay Prices

For Southeastern and South Central Pennsylvania

Monday, August 23

(All hay No. 2 and better, prices paid by dealers at the farm, price per ton).

Hay and straw steady.

| | |
|-------------|-------------|
| Alfalfa | 30.00-40.00 |
| Timothy hay | 20.00-25.00 |
| Mixed hay | 24.00-35.00 |
| Straw | 18.00-25.00 |
| Mulch | 12.00-16.00 |

Reported by Bureau of Markets Pa. Dept. of Agriculture.

Sire Power Sale Held

The 1971 SIRE POWER Sale, held August 3 at Kutztown Fairgrounds, produced the highest averaging stud sponsored sale ever held in Pennsylvania.

In all, 69 head, along with 11 calves sold with dam, averaged \$1,219.

An enthusiastic crowd, estimated at more than 1,500, filled the made-to-order facilities at Kutztown to witness this spectacular sale. Heavy showers at times didn't dampen the bidding, as 38 head sold for \$1,000 or more. An additional three did so with the selling price of the calf.

As expected, the star of the day was the Reserve All-American two year old, a Kingpin consigned by Clair Cottrill of West Columbia, West Virginia. She brought \$8,300 on the bid of Kingstead Farms of Clarksburg, Md. The contending bidder was Jake Zook of Port Royal, Pa.

The second high at \$3,800 was another Kingpin, this one a beautifully uddered two year old consigned by Raymond Hackett of Harrisonville, New Jersey. She was purchased by Charles Myers, Lancaster, and Sam Acker of Chester Springs, Pa.

A pair of Transmitter daughters, both extremely well balanced with good udders, brought \$2,500 and \$1,425. They were consigned by William Beezley of Girard, Kansas, who was instrumental in developing their sire.

A total of 25 Kingpin daughters (plus seven calves sold with them) sold at an average price of \$1,590. Two Master A's brought \$2,500 and \$1,100 while three King Ivan's, two of them bred heifers, brought \$1,500, \$1,325, and \$1,300. A VG88 Image sold at \$1,600.

Oklahoma City

Thursday, August 26

Estimated receipts 10,500
Same day last week 8,587
Same day last year 8,377

Moderately active, compared to late last week, feeder steers over 650 lb. 50c to 1.00 lower; other weights steers and heifers weak to 50c lower; fleshy offerings under most pressure however thin fleshed offerings all weights and grades in broad demand and holding up best. Majority receipts Good to High Choice 400-750 lb. offerings; fairly large attendance buyers.

Sales As Of 12:30 P.M.

FEEDER STEERS — Choice, few Prime 350-500 lb. 37.50-42.75, small lot 339 lb. at 33.75; 500-650 lb. 33.75-38.00, two small lots 504-507 lb. at 39.75-40.00; 650-750 lb. 33.00-34.50; 750-860 lb. 32.00-33.35; Good and Choice 400-500 lb. 35.25-37.00; 500-650 lb. 32.50-34.50, load thin 597 lb. at 34.70; 650-750 lb. 31.00-33.25; few 750-870 lb. 31.00-32.00; Good 500-650 lb. 30.50-33.00; few 650-750 lb. 29.25-30.75; Standard and Low Good 550-860 lb. 26.00-30.00.

FEEDER HEIFERS — Choice 300-450 lb. 34.00-37.00; 450-700 lb. 30.00-35.00, part load 457 lb. at 35.90; Good and Choice 350-450 lb. 31.50-33.50; 450-700 lb. 29.50-31.00, small lot 753 lb. at 28.30.

OTHERS — Good and Choice bull calves 32.00-42.50.

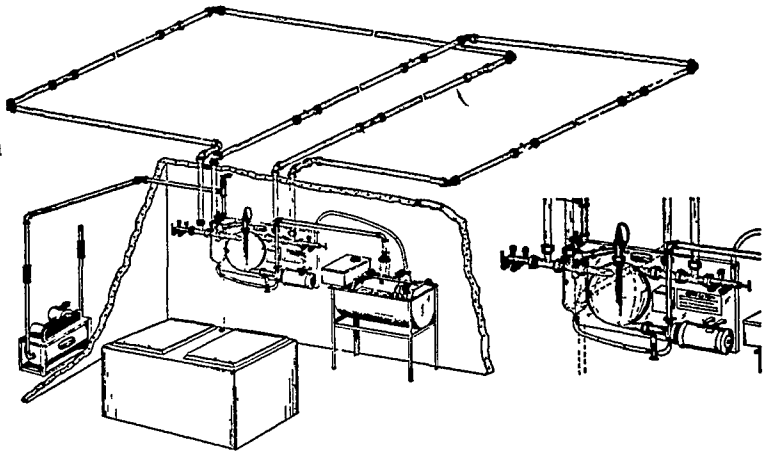
STA-RITE Can Put A Pipeline In Any Barn

WHY BUY A PIPELINE?

For An Average 40 Cow Herd

You Can . . .

1. Save walking 100 miles a year.
2. Save carrying 292 tons of milk a year.
3. Save 200 hours per year on an average herd.
4. Produce higher quality milk.
5. Increase your milk production.



WHY BUY A STA-RITE PIPELINE?

1. Engineered for the modern dairy farm of today as well as the dairy farm of tomorrow. Around the barn pipelines and milking parlors.
2. The only milkhouse control unit that is assembled at our modern new factory on a stainless steel panel. Pretested for trouble free operation, self-draining with patented washing features.
3. Built and guaranteed by Sta-Rite Industries, Inc., of Delavan, Wisconsin, a recognized leader in home water systems and agricultural components.

- 24 Hour Milking Equipment Service
- Installation and Service

CALL TODAY AND ASK FOR AN APPOINTMENT

Agway Bee Line's Local Commodity Technicians are:
FRED KERLIN — HAROLD KINSEY



BEE-LINE SUPPLY CENTER

1027 Dillerville Road, Lancaster
24 Hour Service Daily Ph: 717-397-4761

There are only 52 days a year you shouldn't fertilize pastures!

And they're all Sundays.

Sound management can make pasture your most profitable crop. And you can increase this profit by using Ortho Unipel 20-10-10 Fertilizer

- Extend the growing season by fertilizing now!
- Increase the number of cattle grazed
- Increase beef production to 600 pounds or more per acre

This can mean an extra \$200 gross profit per acre. See us today for all of the details.



ORTHO

P. L. ROHRER & BRO., INC.

Smoketown, Pa.

397-3539