



**PP&L Reddy Lite  
for  
Dusk-to-Dawn  
Safety, Security,  
Convenience**

**\$ 4.20**  
only **4.** a month\*

including fixture, installation,  
electricity and full maintenance



Let PP&L's Reddy Lite Service provide your home, farm, business or industry with extra protection and safety outdoors after dark. Reddy Lites can mean safer parking areas, safer nighttime working conditions, better visibility for farm chores, more yard enjoyment. And they'll discourage prowlers, vandals and pesky animals.

The deluxe white mercury vapor lamp, equivalent to the light output of 405 watts of incandescent lighting, will brighten an area approximately 100 feet in diameter. When an installation is made under normal conditions\* your cost for fixture, installation, maintenance, bulb replacement and electricity is only \$4.20 per month plus applicable Pa. State Sales Tax and tax surcharge.

The lamp is mounted approximately 25 feet above ground on a PP&L pole, or on the customer's own pole or structure, if, upon examination, they prove sound and satisfactory.

Let us tell you more about Reddy Lites. Call PP&L today or complete and mail the coupon below for a free survey of your outdoor lighting needs.

Here are some excellent locations for Reddy Lite services . . .

- |                |                   |              |
|----------------|-------------------|--------------|
| Farm Buildings | Schools           | Industry     |
| Lumber Yards   | Driveways         | Pools        |
| Alleys         | Garages           | Churches     |
| Clubs          | Advertising Signs | Yards        |
| Hospitals      | Drive-Ins         | Gardens      |
| Patios         | Auto Sales Lots   | Picnic Areas |
| Parking Lots   | Private Streets   |              |

Or wherever good outdoor lighting is needed!

Pennsylvania Power & Light Company  
 Sales Department  
 2 N. Queen Street  
 Lancaster, Pa. 17604

Please have a PP&L representative stop in and discuss the installation of Reddy Lite Service.

Name \_\_\_\_\_  
 Street \_\_\_\_\_  
 City \_\_\_\_\_ State \_\_\_\_\_ Zip Code \_\_\_\_\_

Farm  
 Home  
 Business  
 Industry  
 Other

PENNSYLVANIA POWER & LIGHT COMPANY

**Marketers  
Explore Eggs**

(Continued from Page 17)

celebration in Lancaster and at the Dutch Days in Hershey, the following results were reported at least 36 newspapers, including some of the large national dailies, carried articles, 31 in quotes about the Omelet King were received at the Hilton Inn, the Pennsylvania Poultry Federation received 27 written requests for information, the Hilton has made a preliminary request for a follow-up omelet seminar to train the firm's chefs.

In addition, Bickler said several dozen home economists for schools and private firms were involved and many were enthusiastic about the program.

He said one home economist told him she had just bought a heavy skillet and intends to put on her own demonstrations.

Noting that home economists are one of the most influential groups in the country in determining diet, Bickler termed this interest by the home economists "a real breakthrough for the egg industry."

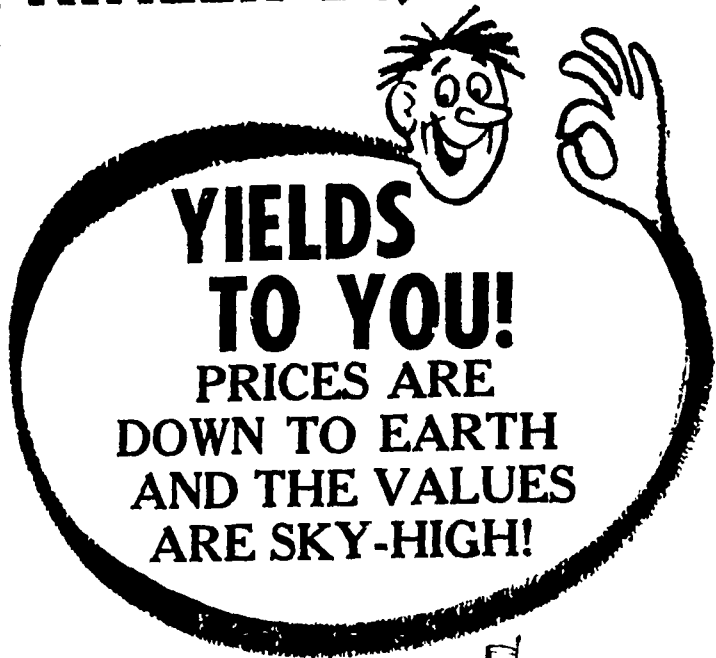
**National Standards**

An attempt by the USDA to develop nationwide egg standards was also discussed. It was reported that New York, New Jersey and Pennsylvania are major holdouts in adopting the national standards. But New Jersey appears to be yielding.

E. J. Lawless of the Pennsylvania bureau of marketing explained that Pennsylvania is unique in determining egg standards. In Pennsylvania, the standards are determined by the majority opinion in the egg industry, not by the state. He also noted that state and university officials feel the Pennsylvania standards would be lowered if the national standards are adopted.

**Try A Classified Ad It Pays!**

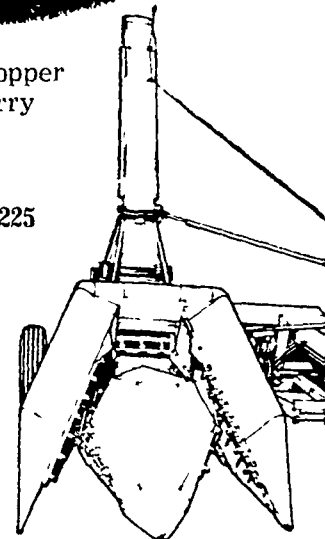
**KINZER EQUIP. CO.**



\$3600 — 2 Row Case Chopper  
Special Cash and Carry  
Price \$2500

Special Price on  
1 Row Chopper — \$2225

Use Our  
Financing Plan



**KINZER EQUIP. CO.**

Your Equipment Center in Lancaster County  
Box 23, Kinzer, Pa. Phone 442-4186  
Phone 768-8916

**Command Performance**

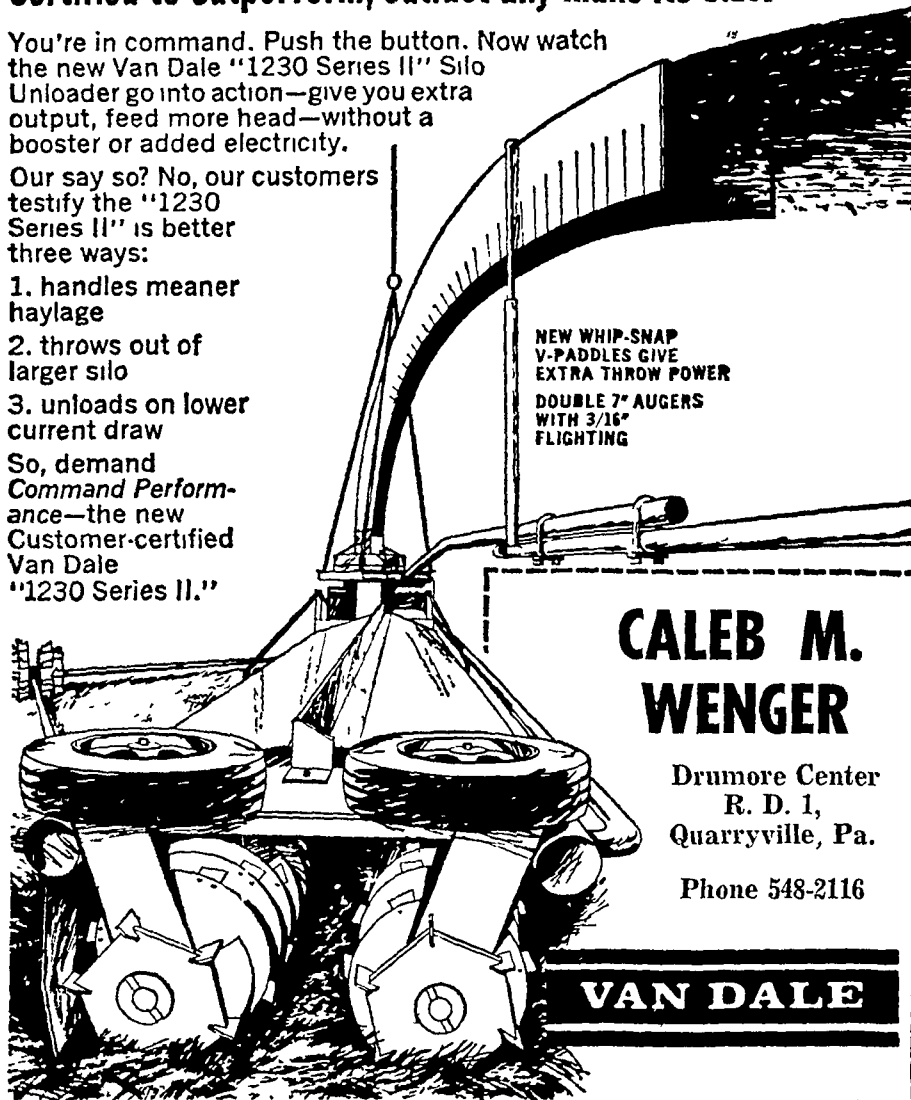
**New Van Dale "1230 Series II" Silo Unloader Customer-Certified to outperform, outlast any make its size.**

You're in command. Push the button. Now watch the new Van Dale "1230 Series II" Silo Unloader go into action—give you extra output, feed more head—without a booster or added electricity.

Our say so? No, our customers testify the "1230 Series II" is better three ways:

1. handles meaner haylage
2. throws out of larger silo
3. unloads on lower current draw

So, demand **Command Performance**—the new Customer-certified Van Dale "1230 Series II."



**CALEB M. WENGER**

Drumore Center  
R. D. 1,  
Quarryville, Pa.  
Phone 548-2116

**VAN DALE**