



THIRD SECTION

Annual Atlantic Meet March 18

The sixth Annual Meeting for Atlantic members will convene at 10.30 a.m. March 18, at Hostetter's Banquet Hall, 363 North Barbara St., Mount Joy, Pa. All members are invited to attend, but reservations for the noon meal must be received at headquarters by March 13.

Reports from the Board and Management will be heard in the morning business session, and District Directors elected last month will be officially seated on the Board.

Action will be taken on an (Continued on Page 36)

Milk Dealers Are Important To Dairymen, Eastern Says

"There are significant movements afoot in this milkshed designed to eliminate the proprietary milk companies who represent more than half of the milk received in the major markets of the Northeast," stated Freeburn Love, President of Eastern Milk Producers Co-operative Association, in his address to over 200 delegates at Eastern's annual spring policy meeting in the Association's

headquarters building in Syracuse, N.Y. recently.

Proprietary milk companies are also known as milk companies, milk dealers, or milk distributors.

He stated, "There is no alternative to proprietary milk companies regarding their value to the overall economy of the state, dairymen and general public."

"Dairying is the largest indus-

try in New York and Vermont and second only to the steel industry in Pennsylvania. The total value of milk received from dairy farmers in these three states represents \$1,175,000,000, and the property value, an additional \$5 billion.

"Eastern Milk Producers, the leading bargaining voice of dairy farmers in this area, is engaged in a larger scope of activities than ever before in its history. However, we should not engage in market practices that will undermine the financial structure of the proprietary milk companies or these companies will either walk away or turn over their milk distribu-

(Continued on Page 36)

41 New Meat Inspectors Training For State Job

Forty-one prospective meat inspectors begin training recently, the last group needed to bring Pennsylvania's complement of meat inspectors to required strength, State Agriculture Secretary Leland H. Bull announced. "This will bring our strength to 150 inspectors, the total number required at present under provisions of Pennsylvania's Wholesome Meat Act of 1968," Secretary Bull said.

Rural Health

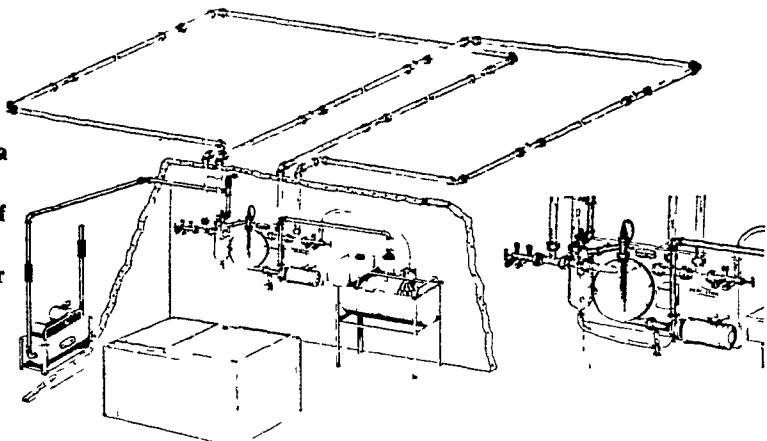
A report of the U.S. Department of Agriculture states that in rural poverty areas, health statistics often resemble those of less developed countries.

USDA's Economic Research Service study was concerned with what programs are now available and those that are needed to break the cycle between poverty, rurality, and poor health.

AGWAY Can Put A Pipeline In Any Barn
WHY BUY A PIPELINE?

For An Average 40 Cow Herd You Can . . .

1. Save walking 100 miles a year.
2. Save carrying 292 tons of milk a year.
3. Save 200 hours per year on an average herd.
4. Produce higher quality milk.
5. Increase your milk production.



WHY BUY A STA-RITE PIPELINE?

1. Engineered for the modern dairy farm of today as well as the dairy farm of tomorrow. Around the barn pipelines and milking parlors.
2. The only milkhouse control unit that is assembled at our modern new factory on a stainless steel panel. Pretested for trouble free operation, self-draining with patented washing features.
3. Built and guaranteed by Sta-Rite Industries, Inc., of Delavan, Wisconsin, a recognized leader in home water systems and agricultural components.

ANNUAL DAIRY CLINIC

Tuesday Evening, March 17th, 7:30 P.M. in our show room.

We planned this Clinic especially for the Dairyman who plans to grow, update and stay in the dairy business.

We will show and explain to you the latest in pipeline milking systems, vacuum pumps for milking machines, automatic washing systems plus many associated items for the dairyman.

We also plan to show an excellent film on Agway's Dairy buildings and Agway's complete automated equipment.

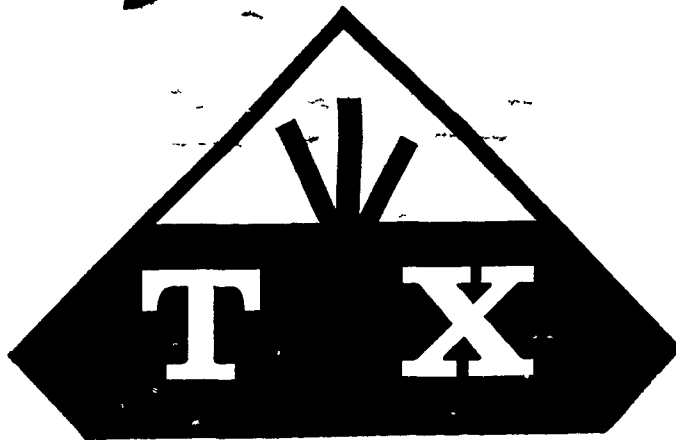
Refreshments will be served. Bring the Family. Door Prizes



BEE-LINE SUPPLY CENTER

1027 Dillerville Road, Lancaster
24 Hour Service Daily — Ph: 717-397-4761

TROJAN HYBRIDS



High-Powered Hybrids With "Ripe" Ears On Green Stalks

Test Weight — How would you like corn that makes over 60 lbs per bushel? Our best has hit 65 lbs. Solid proof of Trojan's high oil content and feeding qualities.

Shell-Out — Would you believe 85%? We've got "super shellers" for you right now — will have even more next year.

SEE YOUR DEALER NOW AND BE SURE

- | | |
|-----------------------|---------------------|
| TXS-85—Early Season | F-90—Early Season |
| TXS-108—Medium Season | F-105—Medium Season |
| TXS-115—Full Season | C/F-123—Full Season |
| All Single Cross | Regular Cross |

Ask For Pamphlet on Hy-Lysine Corn — We Have It!

TROJAN/CRIB-FILLER DEALERS

- | | |
|---|--|
| FARMERS SUPPLY CO.
Lancaster | ZIMMERMAN'S ANIMAL HEALTH SUPPLIES
R. D., Lititz |
| MUSSER'S MILL
The Buck | F. M. BROWN'S SONS, INC.
Sinking Spring |
| LANCASTER BONE FERT. CO.
Quarryville | BOMBERGER'S STORE
Elm |
| ANDERSON FEED & GRAIN
R. D., Oxford | GEHMAN FEED MILL
Denver |
| H. H. GOOD MILL
Fivepointville | MARTIN FEED MILL
Ephrata |
| E. H. KEEN & SON
Atglen | WEAVER FIX-IT SHOP
R. D., New Holland |

DISTRIBUTED BY

STANFORD SEED COMPANY
Plymouth Meeting, Pa. 19462