

**Sale Register**

EVERY FRIDAY—Stockers and Feeders—Sherandoah Valley Va. Cattle. Staunton Union Stock Yards, Inc. Staunton, Va.

MON. EVE. NOV. 3—Horse and

Pony Sale, Martin's Sale Stables U.S. Rt. No. 11, Woodstock, Virginia. Blue Ball, Pa. Ph. (717) 354-8871.

Terms by — Gene Shirk & Larry Martin.

MON. NOV. 3—7:00 P.M. 9th Special Feeder Sale, Feeder and Replacement Cattle by Wood-

stock Livestock Market, Inc. on

**SPECIALS**

PERMANENT ANTI-FREEZE  
ONLY \$1.62 GAL.

INTERNATIONAL w/Windshield  
WIND BREAKERS \$44.95  
SALE PRICE ONLY

With Cab \$260.00

NEW 12 CAN STAR  
MILK COOLERS

**Kendall Milk Filters**

FREE - With Your Purchase  
Mastitis Treatment Syringe

**C. B. HOOBER & SON**

Intercourse, Penna.

Phone 768-8231

THURS. NOV. 6—12 30 Noon Purebred Guernsey Sale at the Ass'n. Sales Pavilion, Lancaster, Pa. Sale Managed by Penna Guernsey Breeders' Ass'n.

THURS. NOV 6—6 PM Annual Round-up Stocker Sale by Rockingham Livestock Sales, Inc. just off Rt 81, Harrisonburg, Va.

THURS NOV 6—7 PM Sharp Public Sale of Antiques and Misc. Items located corner of Heishey Mill Road and Columbia Ave. 4 mi W of Lancaster, Pa Sale by W. C Abbott

FRI NOV. 7 — 1 PM Special Stocker & Feeder Sale at Lancaster Union Stock Yards in Sales Pavilion, Lancaster, Penna

FRI NOV 7—7 00 PM Fall Stocker & Feeder Sale at Vintage Sales Stables, Inc. 10 mi E of Lancaster on Rt 30

FRI NOV. 7—7 30 PM Stock Cattle and Calf Sale by South Branch Stock Yards, Inc Moorefield, W Va.

FRI NOV 7 & 8—10 30 A M Public Auction of complete Dispersal Sale of 200 Reg. and Grade Holstein Dairy Cattle located on Baldwin Mill Road (Md Rte. No. 165) 1 mi. S of Upper Cross Roads, 6 mi S of Jarrettsville in the SW section of Harford Co. Md. Terms by Ehrhardt Farms, Inc. Baldwin, Maryland.

SAT. NOV. 8—10 A.M. Martin's Sale Stables, Blue Ball, Pa. 100 head racing ponies. Dispersal and consigned. Equipment at 10 a.m. Ponies at 12 noon. Paul Z. Martin.

SAT NOV. 8—11 A.M. Public Sale of Valuable Farm Machinery and Personal Property at R.D. #1, Wrightsville, Pa., approx. 1/2 mi S. of East Prospect in Lower Windsor Twp, York County. Terms by Paul P. Sechrist.

**Lancaster Farming, Saturday, November 1, 1969—13**

SAT. NOV. 8—11:30 A.M. Public Sale of Household Items, Antiques, Farm Equipment located 1/2 mi. S. of Columbia Ave. 1 mi E. of Mountville, Pa along Heishey Mill Road. Sale by Abram R. Sheaffer, Columbia R2, Pa.

MON. NOV. 10 — Wayne Kennedy Angus Sale, Kimball, Nebraska.

TUES. NOV. 11—7:45 P.M. Penna. Hampshire Sheep Assn. Bred Ewe Sale sheep arena, Farm Show Building, Harrisburg, Pa

FRI. NOV 14—1 30 P.M. Feeder Cattle and Calves Sale by Blue Ridge Livestock Sales, Inc., Charles Town, W. Va.

**NOW!  
Plan Fall Plowing**

for 1970 corn — be sure to include:

**Phos & Potash**

Plow down this fall to your soil test recommendations.

**Anhydrous Ammonia**

It is one form of N that can be efficiently applied this fall after soil temps. reach 50° F.

ALSO:

follow our **Alfalfa Program**

0-18-36

Can include Boron and Chickweed control at your desired rate of application.

or 0-26-26

**TAKE ADVANTAGE OF WINTER DISCOUNTS**

Available on All Products — Effective November 1.

**ORGANIC PLANT FOOD CO.**

GROFFTOWN RD., NEXT TO WATERWORKS

Ph. 392-4963 or 392-0374

YOUR FULL SERVICE DEALER



**FREE SAMPLE COPIES**

Copies of LANCASTER FARMING are not always easy to find — they are not sold on newsstands — and perhaps some of your friends may not be acquainted with our weekly service.

We'll be glad to send, without charge, several copies of LANCASTER FARMING to your friends or business associates. Just write their names and addresses below — (You'll be doing both them and us a favor!)

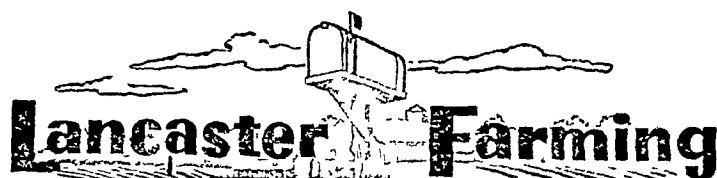
_____	To	_____	To
_____	Street Address & R. D.	_____	Street Address & R. D.
_____	City, State and Zip Code	_____	City, State and Zip Code

(You are not limited to two names. Use separate sheet for additional names.)

_____	Your Name	_____	Address
-------	-----------	-------	---------

CHECK here if you prefer to send a Year's (52 issues) GIFT subscription for \$2 each (\$3 each outside of Lancaster County) to your friends listed above. If so \$..... enclosed, or

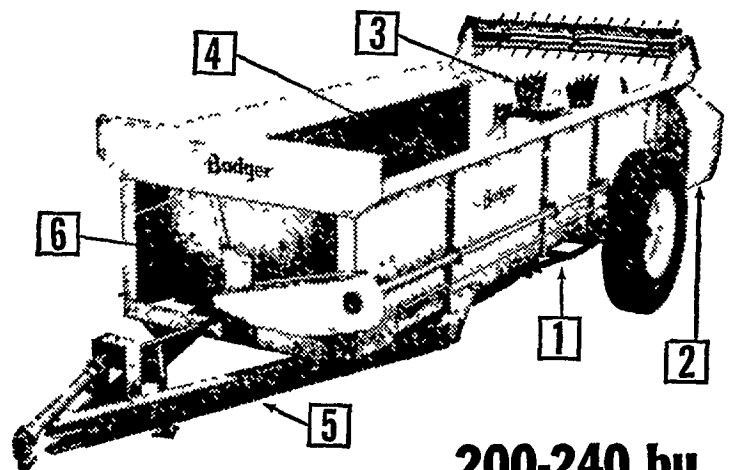
Bill me later.  
Please mail this form to:



P. O. BOX 266

LITITZ, PENNA.

**NEW** FROM **Badger**



**200-240 bu. MANURE SPREADERS**

Badger introduces two ruggedly constructed, big capacity Manure Spreaders that are built for today's modern livestock farmer. Lower priced, greater maneuverability and shorter length than competitive spreaders of comparable capacity. Many outstanding features. (1) Extra heavy chain is 50% stronger than most competitive units. (2) Trouble free, oil bath gear box transmission (3) Rugged rear beater has removable combs (4) Penta treated DFPA Plywood sides. (5) Heavy formed channel steel frame and tongue (6) Four unloading speeds plus rapid clean out control. Ask us about our **LOW PRICE**.

**Badger makes things move**

Show-Ease Stall Co.  
Lancaster

Isaac W. Hurst  
Blue Ball

Carl L. Shirk  
Colebrook Rd., Fontana

Grumelli Farm Service  
Quarryville