

## Expansion Of Food Supply Must Come From Technology Advance

Any significant expansion of the nation's food supply will have to come from additional technological advances rather than expansion of agriculture's physical resources, Herrell DeGraff, president of the American Meat Institute, said this week. Addressing the New York Section of the Institute of Food Technologists at the Sheraton Motor Inn, 12th and 42nd St., New York, DeGraff said: "It is disturbing that we hear so much criticism of the technology necessary today on the farms and in the food industries to meet the food needs of an ever-increasing population, and from an agricultural resource

base that cannot be significantly expanded. The essential 'stretch' has to be technology. A unit of land or a unit of breeding livestock is not a static entity as long as technology continues to expand its yield potential."

DeGraff described as a serious problem for the food industry the criticisms that have been directed against the use of fertilizers and pesticides, "without which there would definitely not be food abundance even for today's population."

He continued: "When we are as far advanced in technology as we are today, it goes almost without saying that we are working always at the edge of our knowledge and understanding. Every field of science pertinent to our food is facing real challenges."

"If the decades behind us have belonged to the biological scientist and the agronomist, the years ahead may well be-

## Conservation Corner



The grass is greener on the other side of the fence!

long to your fraternity, the food technologists"

Americans today get their food supply with the least amount of total economic effort ever known to any sizeable population group — something under one day of work out of the five day work week of the typical family, DeGraff said

"Our problem is that the public is seldom concerned with, or students of, or much impressed with what is commonplace. Our food is so abundant, so varied, so universally available that our typical citizen takes it for granted," he said.

"He gets it so cheaply, by all historical comparisons, that he gives it little thought. He, or she, seems even to get angry when the price goes up for im-

portant items, because demand outruns the immediately available supply and higher price is necessary to call forth more production as quickly as adjustments can be made"

DeGraff described the current "consumerism" movement as a by-product of technology in that the homemaker faces increasing complexities in her job of being the "purchasing agent" for her family

### Designed Seal

The original design for the Great Seal of the United States was made in 1782 by Charles Thomson and William Barton, and approved by the Continental Congress.

## COME TO THE FIELD DAY

See and Test Drive the New Case Agri King in Action!

SEPTEMBER 30 — AFTERNOON AND EVENING

Route 472, 1/4 mi. north of Kirkwood

In case of rain, program and showing in Quarryville place of business.

Refreshments and Prizes.

# A. L. HERR & BRO.

## Robert K. Rohrer

Bulldozing - Grading Patz Sales & Service

Barn Cleaners - Silo Unloaders - Cattle Feeders

Quarryville, R. D. 1

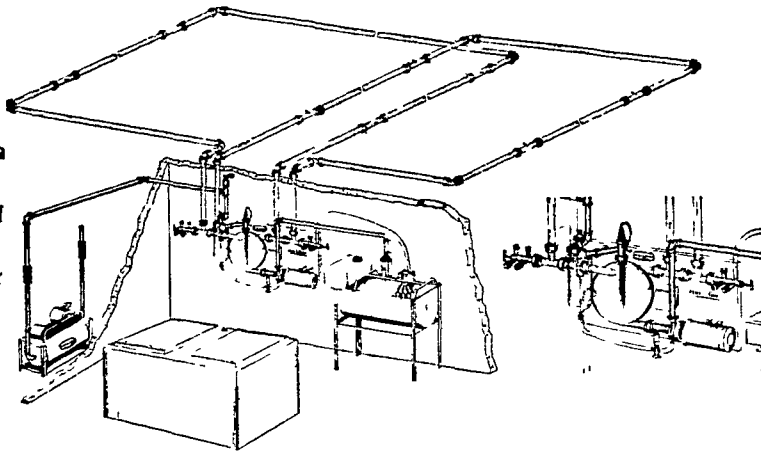
Hensel 548-2559

## Perfection Can Put A Pipeline In Any Barn

### WHY BUY A PIPELINE?

For An Average 40 Cow Herd You Can . . .

1. Save walking 100 miles a year.
2. Save carrying 292 tons of milk a year.
3. Save 200 hours per year on an average herd.
4. Produce higher quality milk.
5. Increase your milk production.



### WHY BUY A PERFECTION PIPELINE?

1. Engineered for the modern dairy farm of today as well as the dairy farm of tomorrow. Around the barn pipelines and milking parlors.
2. The only milkhouse control unit that is assembled at our modern new factory on a stainless steel panel. Pretested for trouble free operation, self-draining with patented washing features.
3. Built and guaranteed by Perfection Milker-Division of Sta-Rite Industries, Inc., of Delavan, Wisconsin, a recognized leader in home water systems and agricultural components.

- 24 Hour Milking Equipment Service
- Installation and Service

CALL TODAY AND ASK FOR AN APPOINTMENT

Agway Bee Line's Local Commodity Technician is:

MR. FRED KERLIN



## BEE-LINE SUPPLY CENTER

1027 Dillerville Road, Lancaster  
24 Hour Service Daily — Ph: 717-397-4761

## PLANT FOOD STORE

"Look For This Sign"

So. Newport Road  
Intercourse, Penna.

PEANUT HULLS

SOFT PINE SHAVINGS  
(60 lb. Bales)

TOBACCO RIBS  
(300 lb Bales)

Phone (717) 768-8451

## AVAILABLE NOW FOR FALL SEEDING

- Cert. Cayuga Alfalfa
- Cert. Saranac Alfalfa
- Cert. Vernal Alfalfa
- Cert. DuPuits Alfalfa
- Cert. Buffalo Alfalfa
- Cert. Iroquois Alfalfa
- Cert. Pennscott Red Clover
- Cert. Ladino Clover
- Cert. Climax Timothy
- Pennmead Orchard Grass
- Pasture Mixtures

YES — WE WILL HAVE CERTIFIED

BLUE BOY WHEAT

## ORDER YOUR FALL SEED GRAIN NOW

- Balbo Rye
- Cert. Norline Winter Oats
- Cert. Pennrad Barley
- Cert. Redcoat Wheat

## P. L. ROHRER & BRO., INC.

Smoketown

Ph. Lanc. 397-3539