

● **Farm Women**  
(Continued from Page 20)

continued in 1969 the same as it was in 1968, Mrs. Robert Gregory is the committee chairman. A contribution was given to the Farm and Home Center. Four members of the Society have signed up to work at the "Snack Bar" at the Ephrata Community Hospital the fourth Friday of each month and will work the full all day shifts. A tour of Harrisburg has been planned for March 17. The

group will visit the William Penn museum after which they will tour the state Capitol as guests of Representative Harry H Gring.

Mrs. John Edawds introduced the speaker, John S. Garman. He spoke on the History of the Famous Mt Zion Cemetery and the famous Monument erected in 1901-02 in commemoration of the soldiers of the Revolutionary War killed in the Battle of Brandywine in 1777. Mt. Zion cemetery is located in Ephrata and joins land of the Cloister and Ephrata Union School.

The society also held a Valentine party. Members brought their old Valentines, some dating back to 1860 and many in the early 1900's. Beautiful creations, were displayed, some handmade.

The next meeting will be held on March 15 in the Famous Coleman Chapel, Brickerville Mrs Esther Petticoffer will be the hostess.

**SOCIETY 2**

Society of Farm Women 2 met at the home of Mrs Earl B Petticoffer, Littitz, with Mrs Nathan Oberholtzer, Manheim, as co-hostess

Mrs. Jay Witmer was in charge of devotions Mrs Abner Biantd and Mrs Jay Witmer, delegates, gave reports of the State Convention.

Members are making up pages for a scrapbook to be given to a convalescent. Donation of money was given to a local family.

The next meeting will be held in the home of Mrs Warren Kline, 109 Fruitville Pike, on March 8.

**SOCIETY 14**

Society of Farm Women 14 met at the home of Mrs Arthur Groff, 1254 Lime Valley Rd, last Wednesday Devotions were by Miss Mary Mellinger

The ladies sewed 146 cancer pads The program featured the reading of the local bylaws, convention reports and resolutions. Mrs Ira Herr, Gap, joined the Society

Twenty dollars was donated to Christ Home, Paradise The next meeting will be March 12 at 1:30 pm at the Hellenic Orthodox Church, HERSHEY Ave Speaker will be the Rev Alexander Veronis His topic will be "The Eastern Orthodox Church" A tour of the Church will be taken and donation will be given for Greek pastries served by the women of the Church.

**SOCIETY 27**

Society of Farm Women #27 met recently at the home of Mrs James Brubaker with Mrs. (Continued on Page 22)

**For Full Market Reports  
Read LANCASTER FARMING**

**ROHRER'S  
CAN SUPPLY THESE  
Top Recommended  
VARIETIES**

- Cert. Cayuga Alfalfa
- Cert. Saranac Alfalfa
- Cert. DuPuits Alfalfa
- Cert. "Alfa" Alfalfa
- Cert. Vernal Alfalfa
- Cert. Irquois Alfalfa
- Cert. Buffalo Alfalfa
- Cert. Pennscott Red Clover
- Pennsylvania Red Clover
- Pennlate Orchard Grass
- Viking Trefoil
- Climax Timothy
- Cert. Russel Oats
- Cert. Orbit Oats
- Cert. Garry Oats

Cert. Maine Grown Seed Potatoes  
Dekalb Corn ---- SUDAX

Alfalfa & Red Clover available Pre-inoculated

Send For Free Catalog

**P. L. ROHRER & BRO., INC.**

SMOKETOWN

Ph. Lanc. 397-3539

**CUSTOM SPRAYING**

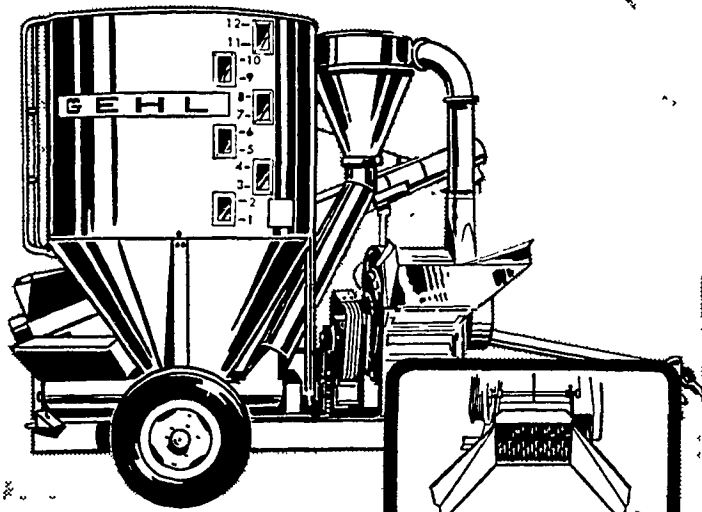
HIGH PRESSURE WASHING  
and

DISINFECTING  
in all types of poultry houses.

**MAYNARD L. BEITZEL**

Witmer, Pa.

Phone 392-7227



**GEHL MIX-ALL**

**Grinds! Mixes! Delivers!**

The Gehl Mix-All, with economy plain feeder and exclusive crusher-feeder attachment, grinds, mixes and delivers the most uniform on-the-farm feed.

Here's proof: Samples of feed grains, ground by Gehl and competitive mills, were compared in a "sieve-shaker" analysis (a grinding uniformity test used also by commercial feed manufacturers). In test after test, Gehl samples were the most uniformly ground. And, the more uniform the grind, the better the mix!

In the Mix-All hammermill, 66 thin, alloy-steel hammers cut . . . not pound ingredients on a big grinding surface for faster feed flow with reduced "fines." Come on in for a close-up look at all the Mix-All features, including the swinging auger-feeder.



Make us Prove it with a Demonstration!

**FARMERSVILLE  
EQUIPMENT CO.**  
R. D. 2, Ephrata, Pa.

**N. G. HERSHEY  
& SON**  
Manheim

**CHAS. J. McCOMSEY  
& SONS**  
Hickory Hill, Pa.

**ZOOK'S FARM  
STORE**  
Honey Brook, Pa.

**BALED SHAVINGS**

**Characteristics:**

- ★ Southern Pine Shavings
- ★ Compressed Bale
- ★ Paper Wrapper (3 ply wax coated)
- ★ Weight 60 Lbs.
- ★ Dimensions 12" x 16" x 32"
- ★ Airdried

Baled shavings are excellent for nests and floor litter for poultry and as bedding for horses, cattle and all other livestock.

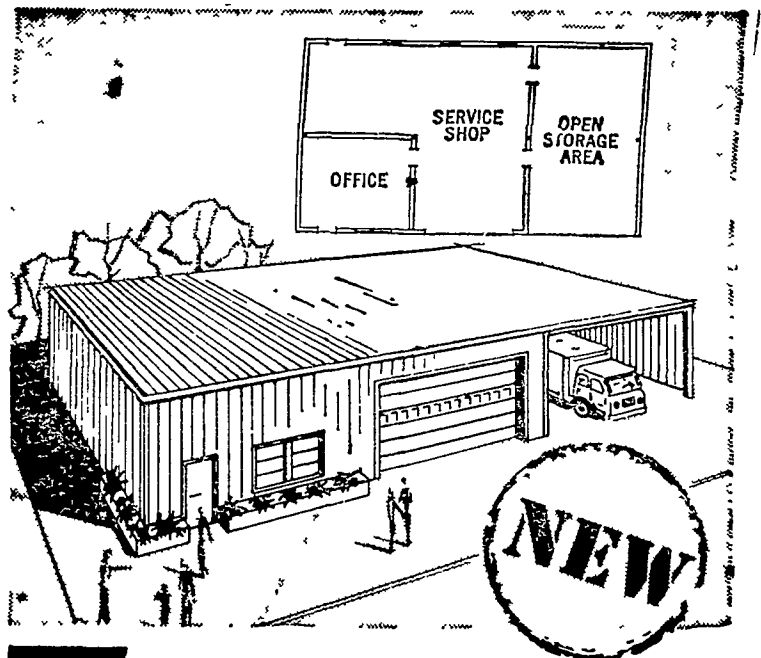
Constant supply and competitive prices

**SHORE LITTER, INC.**

BOX 1537

SALISBURY, MARYLAND 21801

PHONE 301 742-7161 (Call Collect)



**BEHLEN  
TOWN and COUNTRY**  
low-cost all-steel building for all-around uses

Built of 3" corrugated steel (with tremendous strength), the all-new Behlen Flat-Top fills town and rural needs for an all purpose, low-cost building. The attractive weather tight Flat Top makes an ideal implement shelter, store, machine shop, office, milking parlor, draft-proof farrowing house, meeting hall, etc.

COME IN AND SEE the new Flat Top. Each building unit is approximately 35 feet by 21 feet. With either a 10 foot or 14 foot wall. Several units may be erected together to form one large building. Easily expanded at any time. Wide selection of doors and window styles available.

The Price is Right at . . .

**FREY BROS.**

FOR PRICES, CONTACT:  
Fred Frey, Mgr.

R. D. #2, Quarryville, Pa. 17566

786-2235 (717)