

## Pa. Holstein Breeders' Institute Coming To Lancaster January 30

Dairymen of all breeds and all others interested in the advancement of the dairy industry are invited to attend the Ninth Annual Breeder Institute program to be held in the Farm and Home Center starting at 12:30 Thursday, January 30, 1969. Speakers for the session will be Allen Hetts, Fort Atkinson, Wisconsin, and Marlowe E. Nelson, Westby, Wisconsin.



Allen Hetts

Hetts, owner-manager of the internationally known Crescent Beauty Farms will discuss, "Purebred Dairy Cattle Industry, Why?" Hetts is well-known to Pennsylvania dairymen as a judge and showman. This past September, he judged the Holstein breed's State Black and White Show at Harrisburg and later in the week exhibited a two-year-old to Grand Champion Female honors at the Pennsylvania All-American Dairy Show.

Crescent Beauty Farms has been a consistent leader in breeding and developing winners in national show ring competition. Having an opportunity to hear the story of this success plus the achievements in domestic and foreign sales of Crescent Beauty Holsteins is certain to result in a record institute attendance across the state, according to William C. Nichol, Secretary of the sponsoring Pennsylvania Holstein Association.



Marlowe E. Nelson

Marlowe E. Nelson, Sire Procurement Manager for Tri-State Breeders Cooperative, has been selected for his subject, "Thoughts About The Business of Breeding Cattle." A former Extension Dairyman at the University of Wisconsin, Nelson is now responsible for development of Tri-State's breeding program, selection and evaluation of the cooperative's bulls of all breeds, conduct of the young sire program, breed advertising and breed relations.

### ● DHIA

(Continued from Page 1)

age value of product above feed cost \$467.

The herds over 600 pounds of butter fat were recognized with the Red Rose Research Center, 226 Pitney Road, Lancaster, 35.4 cows, 16,614m, 651f; Paul B. Zimmerman, Ephrata R1, 319 cows, 16,463m, 638f; Amos B. Lapp, Gordonville R1, 335 cows, 17,071m, 635f; Henry E. Kettering, Lititz R3, 438 cows, 15,437m, 631f; Curtis E. Akers, Quarryville R1, 35 cows, 16,351m, 630f; John M. Nissley, Bainbridge R1, 383 cows, 16,965m, 629f; David L. Landis, 1896 Colebrook Road, Lancaster, 27 cows, 17,417m, 628f; J. Mowery Frey Jr., 401 Beaver Valley Pike, Lancaster, 655 cows, 15,567m, 619f.

A total of 18 herds had a 600 pound of butterfat average or more. They are as follows: Red

tion of the cooperative's bulls of all breeds, conduct of the young sire program, breed advertising and breed relations.

Nelson, like Hetts, is also a recognized judge of Holsteins by the National Holstein Association. He has written numerous articles for dairy breed magazines and this past year was a very popular speaker at the New York State Breeder Institute program.

Rose Research Center; Stanley Quarryville R3, 338 cows, 15, G. Greiner, Manheim R4, 24.1 835m, 600f.

I. Eby Hostetter presided at the meeting.

### ● Poultrymen

(Continued from Page 1)

Costs, Pullet Costs—Kenneth Goodwin, Head, Poultry Science Dept., Penn State Univ. —Labor and Other Critical Cost Factors—Floyd Hicks, Prof. Poultry Science Extension, Penn State Univ. —Marketing Costs—Facts or Fantasy—Keith Birth, Assoc. Prof. Agr. Economics Extension, Penn State Univ. —Panel Discussion—Question and Answer Session.

The noon lunch will be \$2.25. Arrangements should be made by Feb. 10.

March 6—8 p.m.

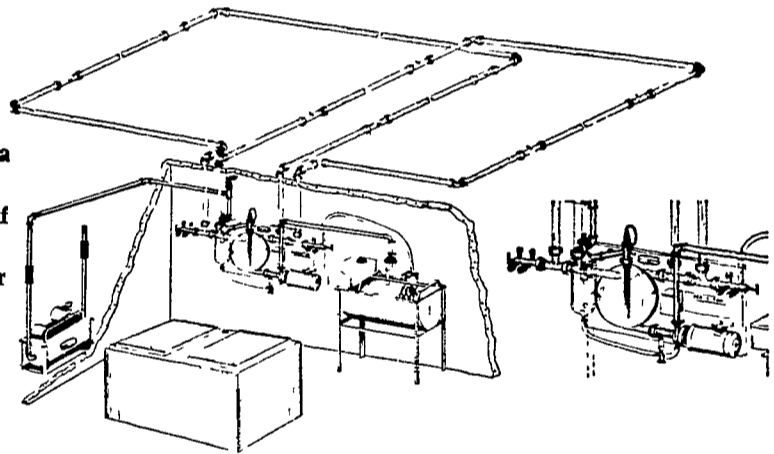
—What's New in Poultry Management—Herbert Jordan, Extension Poultry Specialist, Penn State Univ. —Poultry Waste Disposal—Glenn Bressler, Prof. Poultry Science, Penn State Univ. —Refreshments will be served.

## Perfection Can Put A Pipeline In Any Barn

### WHY BUY A PIPELINE?

For An Average 40 Cow Herd You Can . . .

1. Save walking 100 miles a year.
2. Save carrying 292 tons of milk a year.
3. Save 200 hours per year on an average herd.
4. Produce higher quality milk.
5. Increase your milk production.



### WHY BUY A PERFECTION PIPELINE?

1. Engineered for the modern dairy farm of today as well as the dairy farm of tomorrow. Around the barn pipelines and milking parlors.
2. The only milkhouse control unit that is assembled at our modern new factory on a stainless steel panel. Pretested for trouble free operation, self-draining with patented washing features.
3. Built and guaranteed by Perfection Milker-Division of Sta-Rite Industries, Inc., of Delavan, Wisconsin, a recognized leader in home water systems and agricultural components.

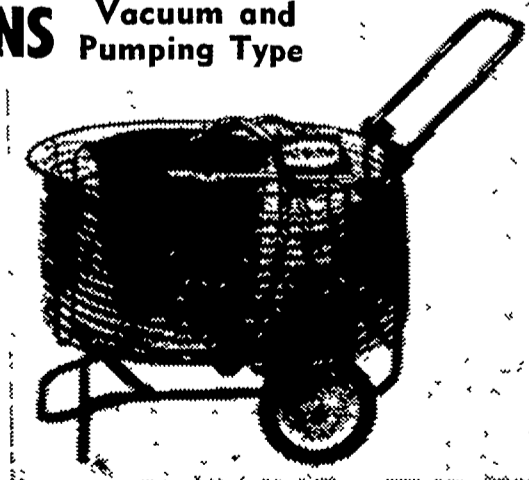
### TRANSFER STATIONS Vacuum and Pumping Type

- 24 Hour Milking Equipment Service
- Installation and Service

CALL TODAY AND ASK FOR AN APPOINTMENT

Agway Bee Line's Local Commodity Technicians are:

MR. FRED KERLIN  
MR. HAROLD KINSEY

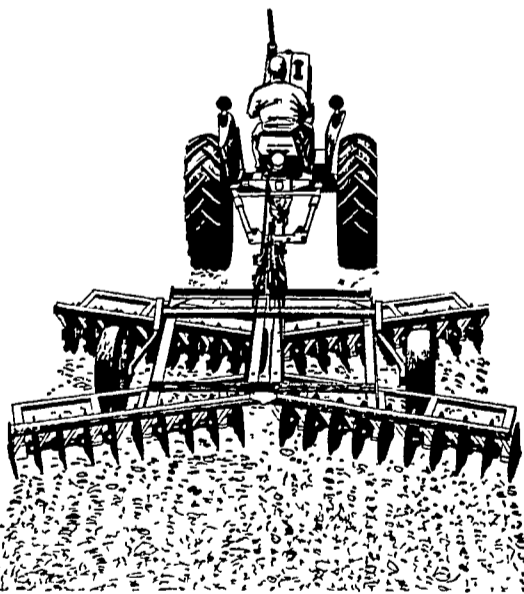


### Bee Line Supply Center

1027 DILLERVILLE ROAD, LANCASTER  
24 HOUR SERVICE DAILY — PH. 717-397-4761



"I've never pulled an easier-handling harrow!"



It's easy to build better seedbeds with Allis-Chalmers Wheel Type Disc Harrows!

The 200 Series is one of a sizeable line of wheel type disc harrows by Allis-Chalmers. Easy handling in the field, easy transport. Pre-set gang angle for lighter draft. Inside bevel ground blades need less weight for deep penetration. Flexible frame for level discing. Let us show you the 200 Series!



Allen H. Matz Farm Equipment  
New Holland

Nissley Farm Service  
Washington Boro, Pa.

L. H. Brubaker  
Lititz, Pa.

L. H. Brubaker  
Lancaster, Pa.

Roy H. Buch, Inc.  
Ephrata, R. D. 2

Grumelli Farm Service  
Quarryville, Pa.

N. G. Myers & Son  
Rheems, Pa.