

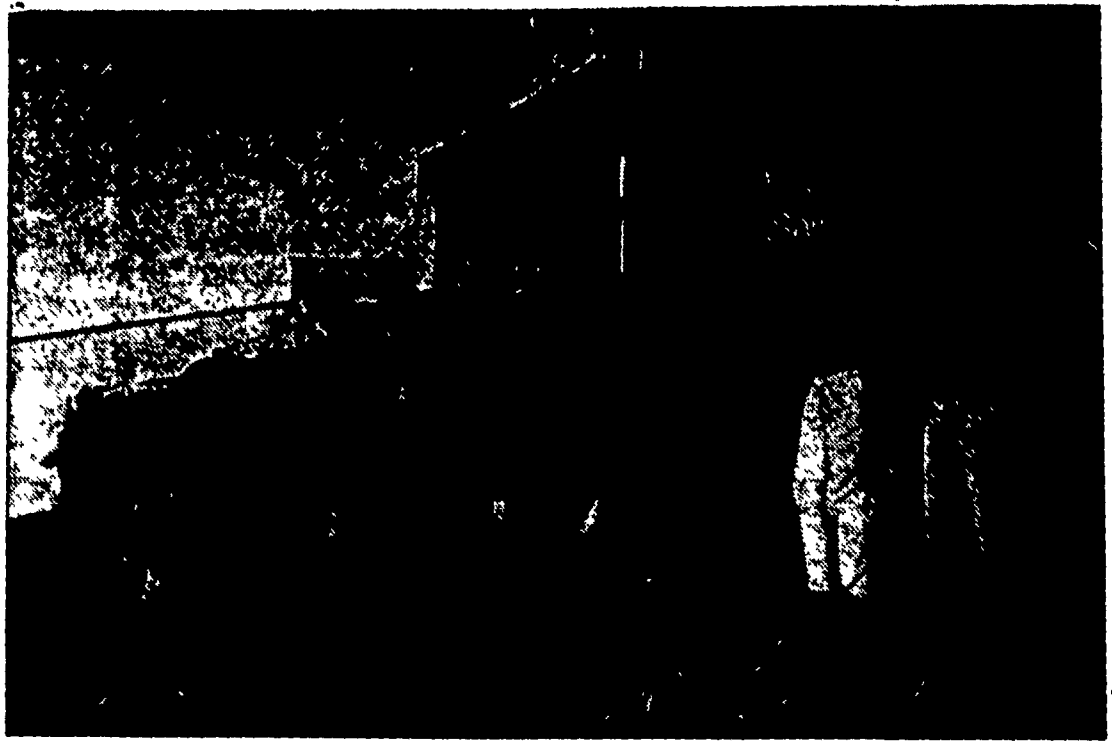
PENNA TURKEYMEN PLAN FEBRUARY MEETING

Dr. D. D. Moyer, Virginia Turkey extension specialist, will be the guest speaker at the Pennsylvania Turkey Meeting on February 6. Roy Heckenluber, Biglerville, president of the Pennsylvania Turkey Growers, stated that this meeting is planned to replace the fall meeting, previously held in conjunction with the random sample "round-up."

The meeting will start at 2:00 p.m. in the Chocolate Room of

the new Hershey Motor Lodge on Route 422 on the western edge of Hershey. The Lodge is located near the new Penna. State—Hershey Medical Center. In addition to Dr. Moyer's presentation, a panel of Pennsylvania Turkey Growers will also participate in the program.

The afternoon meeting will be followed by a turkey dinner at the Lodge. The Pennsylvania Poultry Federation office, 2430 North 2nd St. in Harrisburg will handle all of the reservations and details of the affair.



A Wayne Feeding Demonstration was held recently at the farm of Christ Landis, Ronks R1, to demonstrate the results of a maximum grain-minimum roughage finishing program. Thirty Hereford steers

were placed on feed July 19, 1968. In the L. F. Photo, Landis (right) and his son Jim check the fattened cattle in their barn yard.

**NOW!
Plan Fall Plowing**

for 1969 corn — be sure to include:

Phos & Potash Plow down this fall to your soil test recommendations.

Anhydrous Ammonia It is one form of N that can be efficiently applied this fall after soil temps. reach 50° F.

SOIL TEMP. — NOW 46°

ALSO:
follow our **Alfalfa Program**

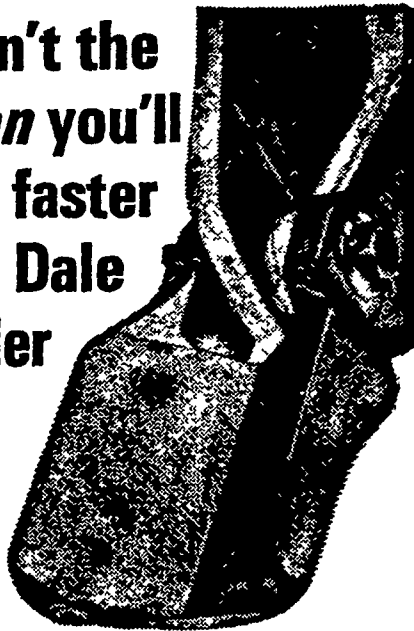
0-18-36 Can include Boron and Chick-
or weed control at your desired
0-26-26 rate of application.

ORGANIC PLANT FOOD CO.

GROFFTOWN RD., NEXT TO WATERWORKS
Ph. 392-4963 or 392-0374
YOUR FULL SERVICE DEALER

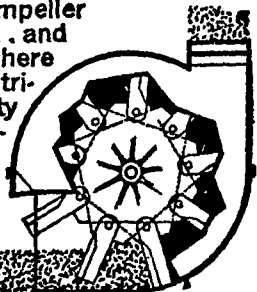
PIONEER OF BETTER IDEAS IN SILO UNLOADING

A 2-foot diameter impeller isn't the only reason you'll feed cattle faster with a Van Dale silo unloader



HERE'S ANOTHER...

... pioneered by Van Dale back in 1957... the heftier cast iron swinging V-paddles. They give the impeller more unloading capacity. Each 6 lb. V-paddle is weighed, matched, and balanced, then pre-run for more dependable performance. And then there's the solid-weld construction of the heavier gauge impeller housing for longer life in the silo... and the biggest impeller throat... and there are many more reasons that contribute to Van Dale's superior capacity and reliability in addition to the impeller... like the double augers and the... But why not let us tell you about them. We'll be happy to drop by to see you at your convenience.



3-phase, step-action drawing

CALEB M. WENGER

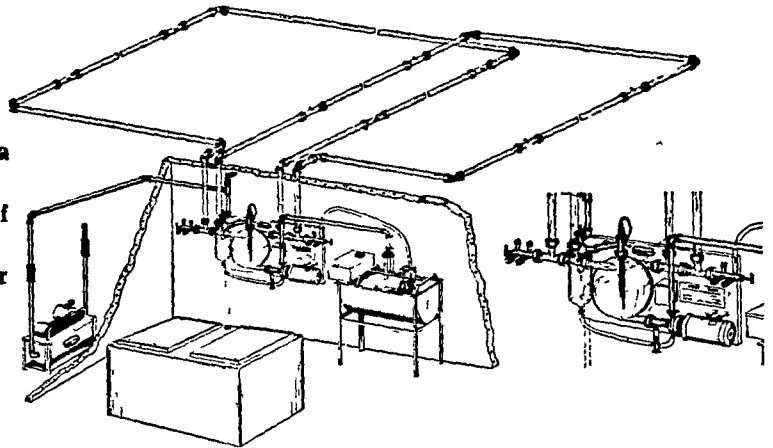
R. D. 1, Drumore Center 548-2116 QUARRYVILLE, PA.

Perfection Can Put A Pipeline In Any Barn

WHY BUY A PIPELINE?

For An Average 40 Cow Herd You Can . . .

1. Save walking 100 miles a year.
2. Save carrying 292 tons of milk a year.
3. Save 200 hours per year on an average herd.
4. Produce higher quality milk.
5. Increase your milk production.



WHY BUY A PERFECTION PIPELINE?

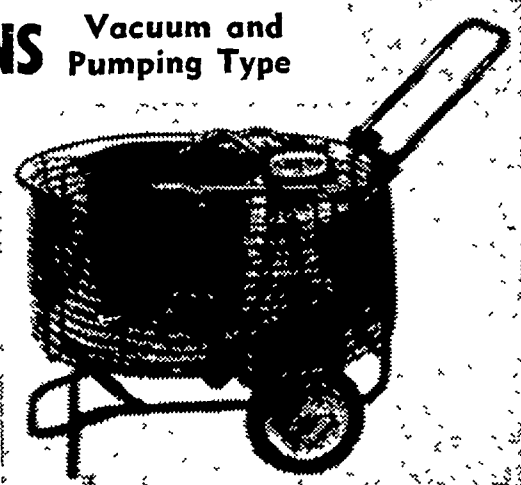
1. Engineered for the modern dairy farm of today as well as the dairy farm of tomorrow. Around the barn pipelines and milking parlors.
2. The only milkhouse control unit that is assembled at our modern new factory on a stainless steel panel. Pretested for trouble free operation, self-draining with patented washing features.
3. Built and guaranteed by Perfection Milker-Division of Sta-Rite Industries, Inc., of Delavan, Wisconsin, a recognized leader in home water systems and agricultural components.

TRANSFER STATIONS Vacuum and Pumping Type

- 24 Hour Milking Equipment Service
- Installation and Service

CALL TODAY AND ASK FOR AN APPOINTMENT

Agway Bee Line's Local Commodity Technicians are:
MR. FRED KERLUN
MR. HAROLD KINSEY



Bee Line Supply Center

1027 DILLERVILLE ROAD, LANCASTER
24 HOUR SERVICE DAILY — PH. 717-397-4761