

● **Crossbred**

(Continued from Page 1)

the 190 pound Yorkshire-Duroc cross entry of Franklin Ruoss, 15-year-old son of Mr. and Mrs. W. F. Ruoss, Ephrata R2. Ruoss, a student at Garden Spot High School, got the winner from the New Holland JayCeers.

The reserve grand champion

was the 200 pound reserve champion in the crossbred class for Linford Weaver, student at Ephrata High School.

At the afternoon sale, the grand champion sold for 76 cents a pound, or a total of \$144.40 to Penn Packing Co., Philadelphia and the reserve grand champion was purchased by Hershey Abat-

**SOLO
MIST
BLOWER**

2 models available
3 and 5 HP



- Horizontal spraying distance 25 ft. and 35 ft.
- Liquid Tanks 2½ gal. and 3 gal.

Lester A. Singer

"Lancaster County's Only Dealer Specializing
In Sprayer Sales and Service"

Ronks, Pa.

687-6712



TROPHY WINNERS. Dr. Harry K. Gerlach, County Superintendent of Schools, (center) presents trophies to Franklin Ruoss (left) best fitter and Earl Stauffer,

best showman, at the Lancaster County FFA Swine Show, Tuesday. Ruoss also had the grand champion pig in the show.

L. F. Photo

for 42 cents a pound or \$84. Chairman Clair W. Zerby reported the 259 market hogs brought a total price of \$11,933.92 for the 53,330 pounds (Continued on Page 13)

Wayne NEW HOPE complete horse feed —high level mineral and vitamin fortification, choice ingredients, make this an excellent feed for the show circuit. Solves hay problem, assures horses of highly palatable, balanced diet without stress of constant change. First won fame as feed for rehabilitating horses with heaves (Emphysema).



Wayne HORSE KRUNCH is a balanced ration —exactly what sound horses need for stamina and top condition. Correct proportions of carbohydrates, proteins and minerals for satisfying nutritional requirements of all ages and breeds. Textured . . . free of irritating dusts . . . packed in handy 50 lb. bags with polyethylene-coated liners to maintain freshness . . . Wayne Horse Krunch is palatable, easily digested. Feed with hay to suit individual requirements.



HORSES

do better on Wayne Feeds!



H. M. STAUFFER & SONS, INC.
Witmer

ROHRER'S MILL
R. D. 1, Ronks

H. JACOB HOOBER
Intercourse, Pa.

MILLERSVILLE SUPPLY CO.
Millersville

HEISEY FARM SERVICE
Lawn — Ph 653 5718

DUTCHMAN FEED MILLS, INC.
R D 1, Stevens

WHITE OAK MILL
R D. 4, Manheim

POWL'S FEED SERVICE
R D 1, Quarryville
R D 2, Peach Bottom

MOUNTVILLE FEED SERVICE
R. D. 2, Columbia

PARADISE SUPPLY
Paradise

HERSHEY BROS.
Reinholds

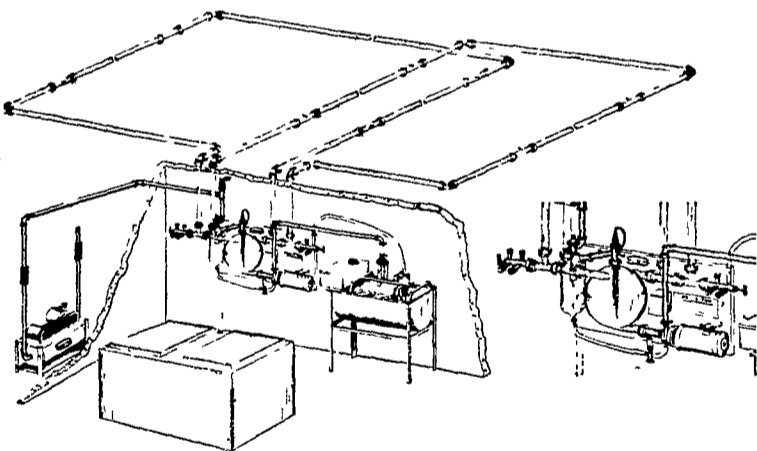
GRUBB SUPPLY CO.
Elizabethtown

Perfection Can Put A Pipeline In Any Barn

WHY BUY A PIPELINE?

For An Average
40 Cow Herd
You Can . . .

1. Save walking 100 miles a year.
2. Save carrying 292 tons of milk a year.
3. Save 200 hours per year on an average herd.
4. Produce higher quality milk.
5. Increase your milk production.



WHY BUY A PERFECTION PIPELINE?

1. Engineered for the modern dairy farm of today as well as the dairy farm of tomorrow. Around the barn pipelines and milking parlors.
2. The only milkhouse control unit that is assembled at our modern new factory on a stainless steel panel. Pretested for trouble free operation, self-draining with patented washing features.
3. Built and guaranteed by Perfection, Milker-Division of Sta-Rite Industries, Inc., of Delavan, Wisconsin, a recognized leader in home water systems and agricultural components.

- 24 Hour Milking Equipment Service
- Installation and Service

CALL TODAY AND ASK FOR AN APPOINTMENT

Agway Bee Line's Local Commodity Technicians are:
MR. FRED KERLIN — MR. HAROLD KINSEY



Bee Line Supply Center

1027 DILLERVILLE ROAD, LANCASTER
24 HOUR SERVICE DAILY — PH. 717-397-4761