

FFA Award Winners at the Warwick Chapter Parent-Son Banquet held Tuesday evening at the Brunnerville Fire Hall. (left to right) Jesse Balmer, Chapter Star Red

Rose Farmer; Gerald Martin, Star Green Hand; and Kenneth Weaver, Star Chapter Farmer.

Warwick FFA Holds Banquet

The Warwick Chapter of Future Farmers of America held their Annual Parent-Son Banquet and awards program Tuesday evening at the Brunnerville Fire Hall. 107 persons attended. Jesse Balmer, son of Mr. and Mrs. Jesse G. Balmer, Lititz R4,

was named Chapter Star Red Rose Farmer. The award was presented by Henry Givler, area Vo-Ag Supervisor.

Gerald Martin, Lititz R1, was named Star Green Hand, and Kenneth Weaver, Lititz R1, is the Star Chapter Farmer.

The FFA Foundation Awards for 1968 are as follows:

Dairy Farming - Jesse Balmer; Livestock Farming - Leon

Buch; Poultry Farming - Dean Agr. Production - James Kal-

GRANGE NEWS

Fulton Grange #66 met in regular session April 8 at their hall in Oakryn. The Grange young people filled officers' chairs and presented the program. Richard Holloway conducted the business meeting.

The Home Economics Committee reported 379 served at the Grange's annual turkey supper April 6. They will have a refreshment stand at Mrs. Miriam Walton's sale May 3.

The Youth Committee will sponsor another dance for the community young people April

enich; Public Speaking - Wray Kiralfy, Gerald Martin and Kenneth Grube.

The Bankers Award went to Seiverling, and was presented by Jack Watson, Farmers National Bank, Lititz. Jerry Shaffer, Pennsylvania Power & Light Co., gave special awards to the three Keystone Farmers: Tom Risser, Fritz and Seiverling.

Honorary degrees were given to Dr. Rodney Welch, Warwick School District Board of Education vice president; Elmer Fritz, father of a Keystone Degree winner; Harold Swisher, high school principal; and Milton Hoffman, owner of Muncy Seed Corn Co., Muncy, Pa.

Service citations presented by class representatives went to Mrs. Harold Seiverling, mother of the chapter president; Ed Journey, physical education teacher; Stan Schoenberger, head of the science department; Mick Sload, head football coach; and Richard Will, Problems of Democracy teacher.

Howett Seiverling presented a special citation for Mr and Mrs Robert Risser, Lititz R1, for three sons who earned Keystone Degrees. They are Eugene, 1966, William, 1967; and Tom, 1968

27 with "The Lost Souls" orchestra furnishing music.

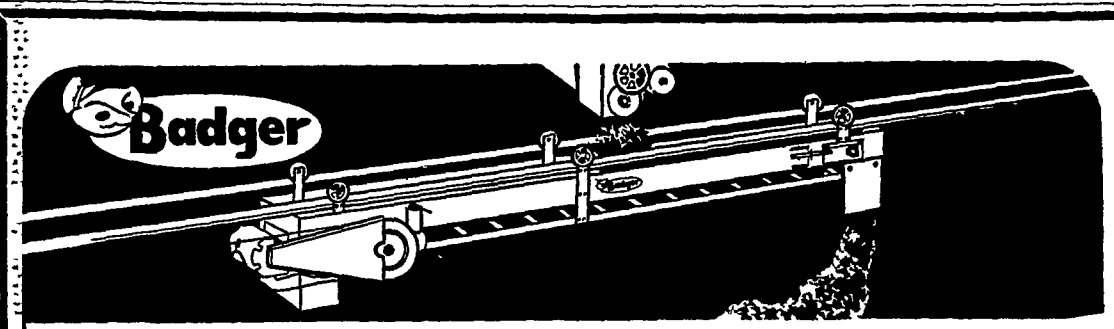
Mrs. Clifford Holloway is in charge of selling Virginia State Grange dessert cookbooks and Mrs. Miriam Walton, Pennsylvania State Grange cookbooks.

Mrs. Stanley Stauffer Jr. presented the following program: Group singing accompanied by Miss Mary Lou Wesley; Easter readings by Mrs. Crockett Halsey; games conducted by Mrs. Stauffer; Skit "The Cowboy Complex" by Mrs. Jesse Wood, Mrs. Donald Hess, Jacob Fantom, Clifford Holloway Jr and Chester Todd Jr; square dance numbers by Carole and Clifford Holloway III, Mrs. Donald Hess, Mr. and Mrs. Stanley Stauffer Jr., Mr. and Mrs. Jacob Fantom, Dennis Carroll, Mr and Mrs Clifford Holloway Jr, Elaine Galbreath and James Huber. The following did code-reading and were commended by Deputy State Grange Master, Melvin C. Boyce: Mrs. Jacob Fantom, Mrs. Stanley Stauffer Jr., James Huber, Dennis Carroll and Carole Holloway. Jesse Wood and Mrs. Jacob Fantom presented a skit "The Widow Brown's Hired Man"

Lancaster County Pomona Grange #71 will hold their spring meeting at the White Horse Fire Hall, April 20, 8 p.m. as guests of Salisbury Grange.

J. Luther Snyder, Secretary of the Pennsylvania State Grange will speak on "Proposals Of The Pennsylvania Constitution Revision". The Pomona Grange chorus, under the direction of R. Clair Murphy, will sing A skit "Grangers United" will be presented by a cast from Fulton Grange

The resolution committee for this meeting will be Jesse Wood, Fulton Grange, Henry Wenger, Coleram Grange and Ralph Wanner, Salisbury Grange.



NEW! Self-Propelled Bunk Feeder!

First big new bunk feeding idea since the auger!

The new Badger Self-Propelled delivers any quantity of any feed evenly over the whole length of your bunk. It doubles delivery capacity, speeds feeding.

Initial cost is low. Feeding action of double-chain-and-flight unit is dependable. Geared-down speed means virtually no wear.

Don't install any bunk feeder until you've seen this new Badger Self-Propelled.

- Needs only 1/10 the power used by most bunk feeders.
- Really safe. All moving parts are high above bunk, out of reach of cattle.
- Completely eliminates feed separation. No chance for fine or heavy particles to separate.
- Installation is easy.
- Handles any material. Silage, grain, haylage, green chop, chopped hay.
- Inside or outside. Stanchion or other barn, as well as on outside bunks.

Grumelli Farm Service
Quarryville

R. M. Brubaker & Son
Salunga

Isaac W. Hurst
Blue Ball

Carl L. Shirk
Colebrook Rd., Fontana

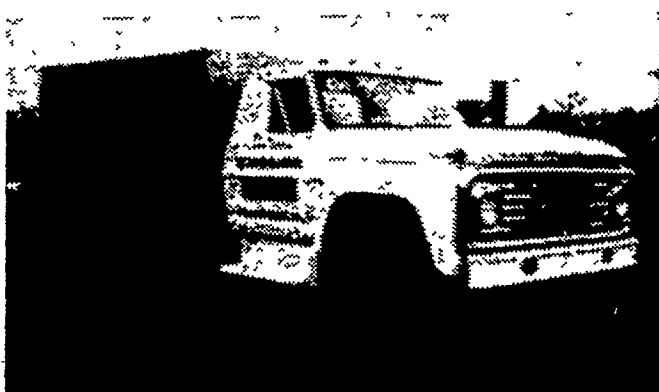
Look for this SIGN in SPRAYING RICHARD R. FORRY

LANCASTER,
PENNA.

Spraying

PHONE
397-0035

★
POULTRY
HOUSES
Disinfected
Washed
Floors
Oiled
★



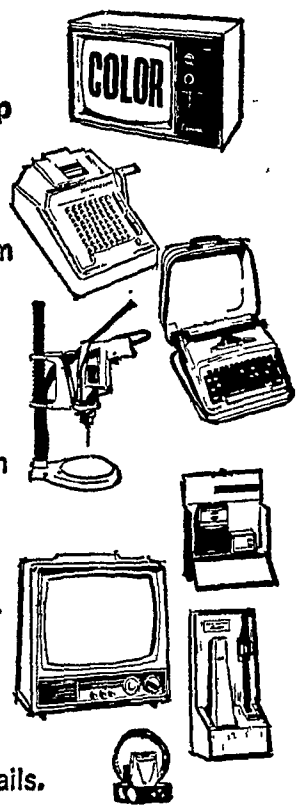
★
DAIRY
& STEER
BARNs
White
Washing
Fly
Spraying
★

Dependable service within 100 miles of Lancaster. Spraying is not a sideline with us. This is a business which we specialize in, using all up-to-date equipment and methods that guarantee a satisfied customer.

Keep watching for other ads explaining additional spraying service we have to offer.

When you buy New Holland early... your whole family benefits!

Now's the time to buy your new New Holland baler or forage harvester. Early. Before your crop comes in. Here's why. When you buy during April or May, you take advantage of Early Buyers' Bonus... the pre-season program that earns you valuable premiums. For example, a new self-propelled machine earns a table-model color TV. Or if you prefer, a choice of two other exciting gifts. Pull-type units earn big gifts too! Choice of black and white portable TV, electric drill, adding machine, portable typewriter or a special family kit. But remember! Offer is good only during April and May. And only on new New Holland balers and forage harvesters. Stop in soon for complete details.



NEW HOLLAND
DIVISION OF SPERRY RAND

C. E. WILEY & SON, Inc.

101 S. Lime St.

Quarryville, Pa.