

● **FFA Boys**  
(Continued from Page 14)

**Charles J. Harting**

Charles Harting is the son of Mr. and Mrs. Charles Harting, Denver R2. Charles, a 1967 graduate of Ephrata High School, held the office of chaplain during his senior year. His farming program includes 60 market hogs, 8 sows, 10 acres of field corn and 5 acres of barley. His total investment in agriculture is approximately \$6500.00. Charles has participated in many swine shows both on the local and state levels. During his senior year he attended the National FFA Convention as a chapter delegate. Charles plans to develop a complete farrowing operation in the near future.

**John D. Nissley**

John D. Nissley, 17-year-old son of Mr. and Mrs. Clayton R. Nissley, is a senior at Manheim Central High School. He has completed 3 years of Vocational Agriculture and received the Green Hand degree in 1964 and the Chapter Farmer Degree in 1965. Nissley has set his goal to become established in farming. He has had dairy and beef projects. Two dairy calves were 1st at the Manheim Farm Show.

Nissley has also competed in tractor driving and cattle judging.

**Howett Seiverling**

Howett L. Seiverling, 17-year-old son of Mr. and Mrs. Harold L. Seiverling, Lititz R1, is a senior at Warwick High School. Howett is currently serving as the president of the Lancaster County Future Farmers of America. He is also president of the Warwick Chapter F.F.A. He served as official county delegate to the F.F.A. convention at Harrisburg and Penn State last year. Howett represented Pennsylvania in the Regional Dairy Products Contest held at Springfield, Mass. Howett is a member of the National Honor Society and Iron Arrow at Warwick High School. Howett's farming program consists of dairy projects, poultry, and tobacco. After graduation Howett plans to attend Penn State University where he hopes to earn an Associate Degree in Agribusiness. After college he plans to enter farming or a closely related field.

**Thomas Risser**

Thomas Risser, 17-year-old son of Mr. and Mrs. Robert Risser, is a senior at Warwick High

School. Tom is currently serving as the chapter reporter of the Warwick Chapter of F.F.A. He has also played baseball and basketball at Warwick. Tom has been the vice president of his class for two years, and has also been on the Senior Student Council for two years. Tom's farming program was centered around dairy cattle. He had supplementary projects in swine, geese and tobacco. Tom plans to attend Penn State next year. He is undecided on a major or future plans. Tom is the third brother to receive the degree.

**Kent L. Fritz**

Kent L. Fritz, 17-year-old son of Mr. and Mrs. Elmer R. Fritz of Lititz R3, is a senior at Warwick High School. He is now the Vice-President of the Warwick F.F.A. Chapter and is the chairman of the program of work. He participates in FFA basketball and other FFA sports. He has represented his chapter at FFA week at Penn State. He participated in the senior float committee for home coming. He is a member of the Trinity E. C. Church of Lititz. His farm program consisted of one acre of tobacco, 6 acres of corn, and various farm improvement projects. His plans are to continue his education in the field of an-

mal science or Lawn Turf management at Penn State Campus in the fall of 1968.

**Gerald Phillips**

Gerald H. Phillips, 17-year-old son of Mr. and Mrs. Blair G. Phillips, Quarryville R1, is a senior at Solanco High School. He is currently serving as President of his chapter and Treasurer of the Lancaster County Red Rose FFA. He is a member of the Solanco Varsity Club. He has been a member of the track team and the school band for the past three years.

Gerald has been a member of the State FFA band for the past two years; has shown a steer and fattened swine for the Solanco Community Fair. He received the second place award for the Solanco FFA Motor Truck Essay Contest and placed fourth in the County Public Speaking Contest last year. He is a member of the Chestnut Level Presbyterian Church and is active in the Youth Fellowship.

Phillips' farming program

centers around his five dairy animals and includes a baby beef, fattening pigs and field corn.

**Preston LeFever, Jr.**

G. Preston LeFevre, Jr., 17-year-old son of Mr. and Mrs. G. Preston LeFevre, Quarryville R3, is a 1967 graduate of Solanco High School. He was runner-up in the Southeastern Pennsylvania Regional Star Farmer contest and is now in partnership with his parents on their home farm. Preston maintains active membership in the FFA and 4-H Baby Beef Club. He is also an active member of the Solanco Young Farmers.

Preston owns his own self-propelled combine and does custom work during the harvesting season. During his school career, he was president of his chapter, president of the 1966 state champion parliamentary procedure team, Star Farmer of the local chapter, received the Lancaster County Red Rose De-

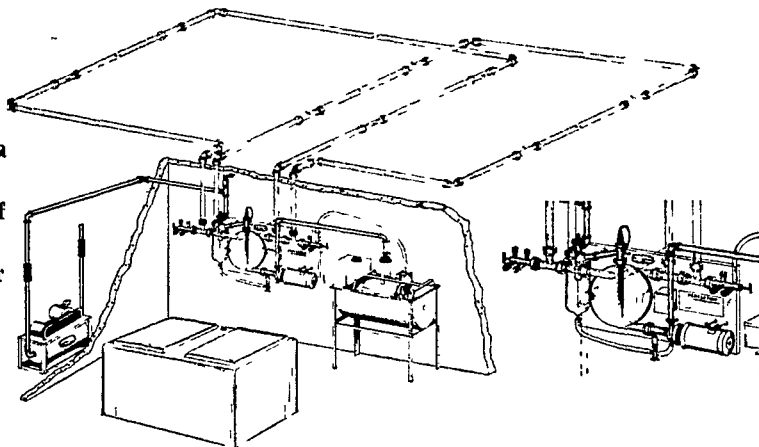
(Continued on Page 16)

# Perfection Can Put A Pipeline In Any Barn

## WHY BUY A PIPELINE?

For An Average 40 Cow Herd You Can . . .

1. Save walking 100 miles a year.
2. Save carrying 292 tons of milk a year.
3. Save 200 hours per year on an average herd.
4. Produce higher quality milk.
5. Increase your milk production.



## WHY BUY A PERFECTION PIPELINE?

1. Engineered for the modern dairy farm of today as well as the dairy farm of tomorrow. Around the barn pipelines and milking parlors.
2. The only milkhouse control unit that is assembled at our modern new factory on a stainless steel panel. Pretested for trouble free operation, self-draining with patented washing features.
3. Built and guaranteed by Perfection Milker-Division of Sta-Rite Industries, Inc., of Delavan, Wisconsin, a recognized leader in home water systems and agricultural components.

Transfer Stations — Vacuum and Pumping Type

24 Hour Milking Equipment Service — Installation and Service

CALL TODAY AND ASK FOR AN APPOINTMENT  
Agway Bee Line's Local Commodity Technicians are:  
MR. FRED KERLIN — MR. HAROLD KINSEY



**BEE LINE SUPPLY CENTER**  
1027 DILLERVILLE ROAD, LANCASTER  
24 HOUR SERVICE DAILY — PH. 394-0541

SEE US AT THE FARM SHOW  
BOOTHS 374-377 and 386-389



Farm Show Special Discount on Neck Chains and Numbers.

See us at Booth P-14 in Poultry Room.

### SHOW-EASE STALL CO.

523 Willow Rd., Lancaster

Ph: 392-3668

"Yours for Better Dairying"

John E. Kreider

## Your Invitation . . .

To Visit Our CECO Exhibit

at the

# Farm Show

Location 703 and 704 Section F Main Floor

(See Our Unusual Water Display)

## Your Best Barn Buy!

. . . for quality and economy is . . . THE CECO CLEARSPAN PACKET BUILDING covered with weathertight corrugated steel CECOROLL with galvanized or baked-on vinyl colors. Write or phone for full information and the name of the dealer in your area.

## GROCE DISTRIBUTORS, INC.

210 Sassafras Street, Selinsgrove, Penna. 17870

(717) 374-8157

**FARM SHOW WEEK**  
**JANUARY 15 - 19**