

Weekly Poultry Report

**Eastern Pennsylvania
And New Jersey
Weekly Review**

Prices on light type hens generally unchanged; however, in instances, prices ranged up to as much as 5c for good floor offerings. Demand fair but lacks desired aggressiveness. Offerings adequate for needs but generally somewhat lighter than several weeks ago as producers hold flocks due to improved egg prices prior to Holiday. Offerings of heavy type short of a fairly good interest with sales too few to report prices. Prices paid @Farm: Light Type Hens 3-4½, mostly 4-4½c, Heavy Type Hens TFEWR.

Fogelsville

December 12, 1967

(Prices paid dock weights, cents per lb., except where noted.)

Light Hens 4-9½, mostly 4-5; Heavy Hens 5-15, mostly 6-10; Pullets 8½-27, mostly 18-24; Roasters 7-25½, mostly 17-24; Capons 15-36, mostly 30-36; Ducks 11-31½, mostly 24-28; Drakes 18-44, mostly 38-44; Geese 18-34, mostly 26-34; Tom Turkeys 10-26½, mostly 18-22; Hen Turkeys 14½-32, mostly 25½-30, Rabbits 10-41, mostly

38-40; Guineas 69-74; Pigeons (per pair) 80-170, mostly 80-100; Jumbo Squab 95.
Total coops sold. 810.

Eastern Shore Exchange Weekly Review

Birds and fayer live prices averaged 13.35 cents per pound this week. Price paid ranged from a high of 14.6 cents per pound on Monday to a low of 12 cents on Tuesday. Sales for the week totaled 725,900 head down 122,400 from last week.

Lancaster Auction (Continued from Page 2)

BULLS — Choice 25-25.50; Good 23-24.75; Utility & Commercial 22-25-24, couple head 24.75-25.50; Cutter & low-Utility 21-22.

CALVES 102—Vealers steady, instances \$1.00 higher.

VEALERS — Choice 42-44 50, couple 45-46 50; Good 39-42, Standard 35-39; Utility 30 50-35-50; Cull 95-120 lbs 26-29, 70-90 lbs 21-26

HOGS 336 — Barrows & gilts steady, instances 50c lower

BARROWS & GILTS — US 1-2 195-230 lbs 19.75-20.35, few US 1, 200-205 lbs 20.50; US 1-3

200-240 lbs. 19-19.50; US 2-3 205-255 lbs. 18.50-18.60; US 2-3 250-280 lbs. 17.60-18.25.

SHEEP 2 — Woolled slaughter lambs mostly steady.

WOOLED LAMBS — Couple lots Choice 70-85 lbs. 23-23.25, one lot Choice 117 lbs 20.25; one lot Utility 65 lbs \$19.

Lancaster

(Continued from Page 2)

steady to 50c higher. Ewes absent.

WOOLED LAMBS — Choice 65-95 lbs., 23-24.50, couple small lots on Mon \$25; one Lot Choice 117 lbs. 20.25; Good 60-100 lbs. 21-23.50; Utility 18-21.50.

Vintage

(Continued from Page 2)

& Commercial 21.85-24.35, few head 24.85-25.85

FEEDER STEERS—Good & Choice 925-1100 lbs 22.85-25

CALVES 491—Vealers steady to \$1 higher.

VEALERS — Choice 42-44, few head 44 50-46, Good 39-42, Standard 34.50-39 50; Utility 29 50-35 50; Cull 95-120 lbs. 25-30 50, 70-90 lbs 20 50-25 50.

HOGS 264 — Barrows & gilts uneven, averaged steady.

BARROWS & GILTS— US 1-2 200-250 lbs 20-20.85; 11 head US 1, 205-225 lbs 21-21.75; US

1-3 185-250 lbs 19.10-19.85, US 2-3 240-265 lbs. 18-18.85

SHEEP 51—Slaughter lambs

Weekly New York Egg Mkt

From Monday, December 11th to Friday, December 15th

	Mon.	Tues.	Wed.	Thurs.	Fri.
WHITE					
Ex. Fcy. Lg.	35	36	36	36	36½
Fcy. Lg.	34½	35½	35½	35	35½
Fcy. Med	29	30	30	30	30
No. 1 Med.	28	29	29	29	29
Pullets	26	26½	27½	27-27½	27-27½
Peewees	20	20	21	21	21
Ex Large	37	37½-38	37½-38	37½-38	37-38½
BROWN					
Ex Fcy. Lg	37½	37½	39	39	37-38
Fcy. Lg	36½	36½	38	38	37
Fcy. Med	29	30	30	30	30
Pullets	26½	26½	27½	27½	27½
Peewees	20	20	21	21	21
MIXED					
Standards	30½	31	31	29½-30	30
Checks	21	21	21-21½	21-21½	21-21½

Trend Spot white market a bit cautious but market rated fully steady Large brown unsettled

Copyright 1967 by Urner Barry Publications

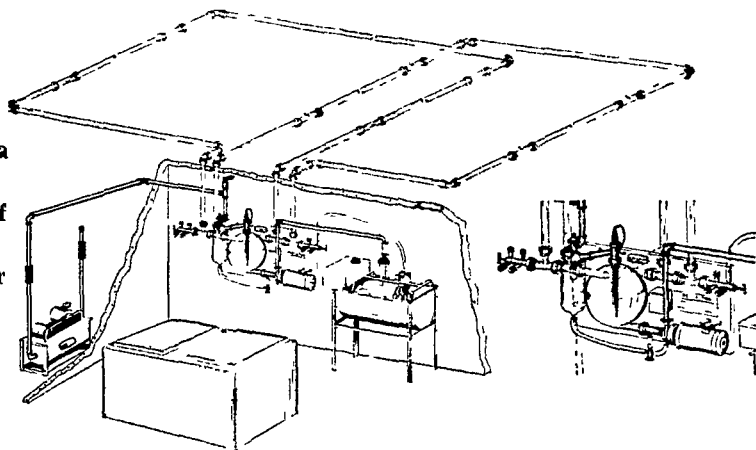
& slaughter ewes steady About 250 business firms fail WOOLED LAMBS — Choice each week in the U.S. 65-95 lbs 25-27 50, Good 55-100 lbs 23-24 50, Utility 18-22 Popularity that can be bought SLAUGHTER EWES—Utility isn't worth it 3.00-6.00

Perfection Can Put A Pipeline In Any Barn

WHY BUY A PIPELINE?

For An Average
40 Cow Herd
You Can . . .

1. Save walking 100 miles a year.
2. Save carrying 292 tons of milk a year.
3. Save 200 hours per year on an average herd.
4. Produce higher quality milk.
5. Increase your milk production.



WHY BUY A PERFECTION PIPELINE?

1. Engineered for the modern dairy farm of today as well as the dairy farm of tomorrow. Around the barn pipelines and milking parlors.
2. The only milking control unit that is assembled at our modern new factory on a stainless steel panel. Pretested for trouble free operation, self-draining with patented washing features.
3. Built and guaranteed by Perfection Milker-Division of Sta-Rite Industries, Inc., of Delavan, Wisconsin, a recognized leader in home water systems and agricultural components

Transfer Stations — Vacuum and Pumping Type

24 Hour Milking Equipment Service — Installation and Service

CALL TODAY AND ASK FOR AN APPOINTMENT

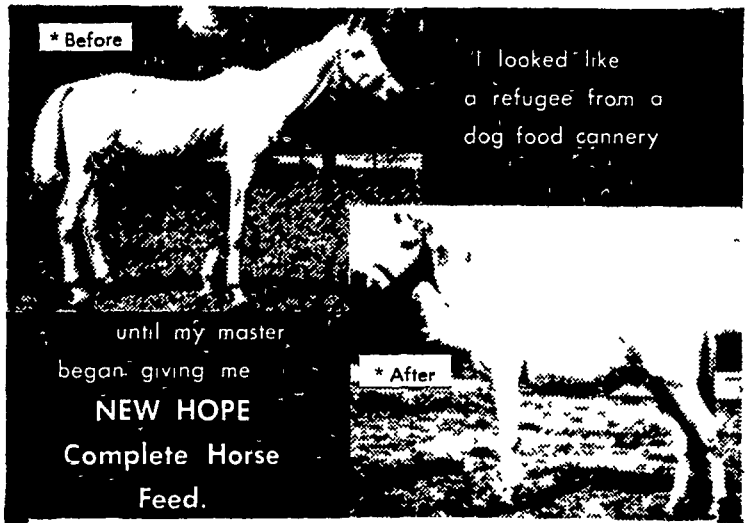
Agway Bee Line's Local Commodity Technicians are:

MR. FRED KERLIN — MR. HAROLD KINSEY



BEE LINE SUPPLY CENTER

1027 DILLERVILLE ROAD, LANCASTER
24 HOUR SERVICE DAILY — PH. 394-0541



"Oats — ough — I couldn't bear the sight of them — or hay either. Sometimes I could hardly catch my breath, and the least little trot made me cough 'til I thought I'd die.

"I had the heaves and I was miserable."

"Then my owner discovered New Hope Complete Horse Feed—no oats, nothing of any kind to stir up my allergies. My, how good it felt to really eat again, to be free from that terrible, hacking cough. "If you're a victim of the heaves too, send your master as fast as he can go to get some Wayne New Hope Complete Horse Feed. Of course he has some other excellent horse feeds for horses that can still eat hay, but as for me, I'm sticking with Wayne New Hope Complete Horse Feed."

* Actual unretouched photos of a horse before and after being fed New Hope Complete Horse Feed.



POWL'S FEED SERVICE
R. D. 1, Quarryville
R. D. 2, Peach Bottom

PARADISE SUPPLY
Paradise

HEISEY FARM SERVICE
Lawn and Bellaire

MOUNTVILLE FEED SERVICE
R. D. 2, Columbia

GRUBB SUPPLY CO.
Elizabethtown

HERSHEY BROS.
Reinholds

WHITE OAK MILL
R. D. 4, Manheim

C. E. SAUDER & SONS
R. D. 1, East Earl

DUTCHMAN FEED MILLS, INC.
R. D. 1, Stevens

H. M. STAUFFER & SONS, INC.
Witmer

ROHRER'S MILL
R. D. 1, Ronks

MILLERSVILLE SUPPLY CO.
Millersville