

● Farm Prices

(Continued from Page 1)
cows at \$18.80 per cwt., up 80 cents from the May 1967 average. The prices for the remainder of the meat animals declined from last month. Milk price surged 20 cents ahead of last month to \$5.55 per cwt., while milk cow prices declined by \$5.00 per head to \$325.00.

GRAINS LOWER

Grain prices were mostly lower, with soybeans the only grain showing a price increase from last month. Corn was

steady with wheat, oats, barley, and rye all declining. Fruit prices were steady, with vegetables showing an increase.

The index of poultry and egg prices dropped six percent as a result of a three cent drop in egg price. Prices received for broilers, farm chickens, and turkeys all remained steady.

The prices received index for all farm products, a measure of the change in prices received by farmers, was 253 percent of its 1910-14=100 percent base. This compares with 252 last month and 245 last year.

The Index of Prices Received by Farmers in the U.S. advanced three points (one percent) during the month ended June 15 to 255 percent of its 1910-14 average. Higher prices for cattle and lettuce contributed most to the increase. Partially offsetting were price declines for hogs, wheat, and eggs. The index was three percent below June 1966.

The Index of Prices Paid for Commodities and Services, in-

FARM WOMEN NO. 26 VOTES F & H DONATION

At its June 29th meeting at the home of Mrs. David Landis, Lititz R2, members of Farm Women Society Group No. 26 voted a \$25 contribution to the Lancaster County Farm and Home Foundation.

In other business, it was announced that tickets were on sale for the Farm Women convention, and also for the appearance of Baroness Maria Von Trapp on November 4th.

In addition the Group assembled 100 favors consisting of wash cloth and bar of soap made in candle shape. These will be distributed to the Orville Mennonite Home.

The next meeting will be the annual picnic at Sico Park on July 23rd.

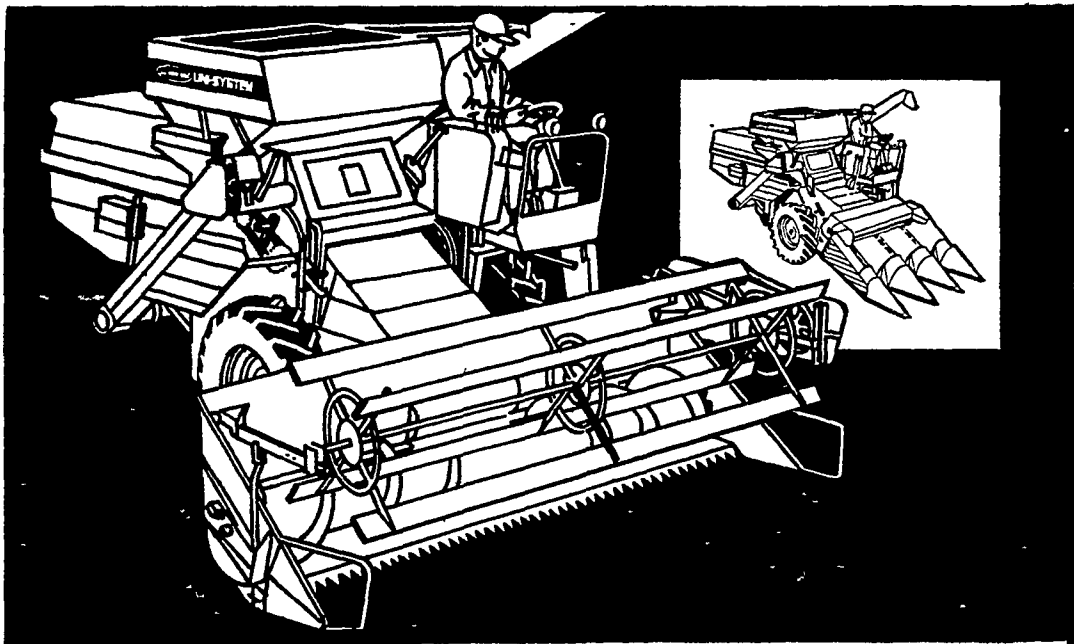
cluding Interest, Taxes, and Farm Wage Rates increased one point during the month to 343, a record high. The index was 10 points (three percent) above a year earlier.

Robert K. Rohrer

**Bulldozing - Grading
Patz Sales & Service**

**Barn Cleaners - Silo
Unloaders - Cattle Feeders**

**Quarryville, R. D. 1
Hensel 548-2559**

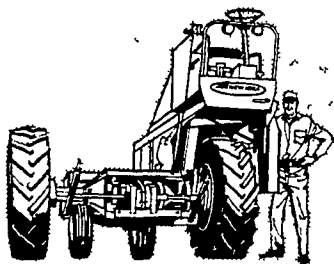


Meet Uni-System...

**THE BIG CAPACITY COMBINE
THAT'S BUILT TO TAKE EAR CORN
PUNISHMENT IN STRIDE**

We call it a "corn country" combine because we built it, right from the start, tough enough to bull through the biggest yields and the biggest fields without a bit of strain. Rugged — from grain platform or cornhead to its self-unloading grain tank (70 bu. with extension). Switch from cornhead to grain platform in 30 minutes. Switch from Uni-Combine to picker, sheller or forage harvester in an hour.

- One of the heaviest cylinders in the business.
- Excellent "flywheel" action.
- Choice of 11 or 13-foot platform.
- Choice of cornheads: 2-row wide, 3-row regular or narrow.
- Big capacity strawwalkers, grain pan, cleaning shoe.
- Choice of interchangeable Power Units.



Uni Interchangeability brings self-propelled harvesting within reach of 2' crop farmers. 3 models this year including new 401 cu. in. diesel. Uni-Harvesting units are built in 2 sections for convenient mounting or removal on front axle of Power Unit. Get the whole money-saving Uni story soon. Excellent financing.



SEE UNI ASK US

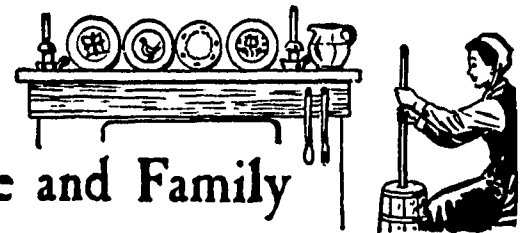
**Longenecker
Farm Supply
Rheems**

**Chet Long
Akron**

Arthur S. Young Co., Inc. Kinzers, Pa.

**A. L. Herr & Bro.
Quarryville**

**Landis Bros.
Lancaster**



**For the
Farm Wife and Family**

Ladies, Have You Heard? . . .

By Doris Thomas, Extension Home Economist

Leftover Vegetables Lose Nutrients

Cook vegetables as you need them and serve promptly for full nutrient value. Vegetables lose nutrients, especially vitamin C, when held and reheated.

Clothing Care Tips

Cut down on trouser pressing bills. Hang pants by their cuffs on clamhangers. Suit jackets keep their shape better if you hang them on shaped hangers. Using underarm shields in your dresses and suits protects the garments. And they're easier to replace than body and sleeve linings.

Meat Packaged In New Wrap

Boneless roasts are being packaged in plastic netting for cooking. Homemakers like the net because the roasts hold their shapes while they slice them.

Retailers save time and labor using the net instead of string.

The net is made of sturdy plastic made to withstand oven heat.

How To Select A Cantaloup

You can judge a cantaloup by its aroma and the way it looks.

The sound and feel of a melon isn't an accurate test of quality if many shoppers have felt and tapped the cantaloup before you.

Seeds may rattle because so many other people have shaken the cantaloup.

Quality cantaloups have coarse, corky, and well-defined netting. The color under the netting should be turning green to yellow.

You should find a slightly sunken, smooth, well-calloused scar at the stem end.

If a cantaloup smells good to you, it should taste good.

Some Carpet Buying Guides

Rugs and carpets are available in natural and man-made fibers in different price ranges and styles.

Buy the best rug or carpet you can that meets your needs for the money you have to spend.

No single fiber, pattern, or

construction method is best suited for all purposes.

The best guarantee is a reliable manufacturer's label on the product that a reputable dealer handles.

A good guide to quality is the density and depth of the pile.

You usually get what you pay for in a rug or carpet.

A bargain means shopping for a particular brand or style to see if the price has been reduced.

Proper installation with an underlay can increase the life of a rug or carpet up to 50 percent if it gets the proper care.

KEEP GARDENS CLEAN

During hot weather, blossoms mature daily on many flowers. Removing dead blossoms helps to continue bloom and may prevent disease from starting, says J. Robert Nuss, extension ornamental horticulturist. Plants are healthier and produce more blooms if well spaced. By removing weak plants and broken stems the vigorous plants will have a better chance to bloom.

What will parents of the next generation tell their kids they had to do without? ?



THOMAS



**Two important things
when borrowing money**

You need a sharp pencil plus the specialized financial advice of Farm Credit to determine how your financial needs can best be served. Farm production must be maintained, even increased if possible. Providing the financing to insure this is Farm Credit's job. Farm Credit loans are available now for any sound farm need. And, at realistic rates, Farm Credit interest is based on the unpaid balance of the loan. That saves you money.



**Farm Credit
ASSOCIATIONS**

411 W. Roseville Rd., Lancaster Agway Building, Lebanon Ph. 273-4506