

# Santa Says . . .

**"Give A Gift  
That Lasts All  
Year Long"**



A Subscription to

## Lancaster Farming

**Only \$2.00 per year — \$3.00 for 2 years  
\$5.00 for 3 years**

**CLIP AND MAIL COUPON TODAY!**

Please send Lancaster Farming to:

Name \_\_\_\_\_  
 Address \_\_\_\_\_  
 City \_\_\_\_\_ State \_\_\_\_\_  
 1 year  2 years  3 years  
 Amount Enclosed \$ \_\_\_\_\_  
 Gift Card to Read from \_\_\_\_\_  
 Address \_\_\_\_\_ City \_\_\_\_\_ State \_\_\_\_\_

**LANCASTER FARMING**

**Will Send A**

**Gift Certificate**

**Announcing the Starting  
of the Gift Subscription**

# SELL YOUR SURPLUS DAIRY CALVES AS PROFITABLE VEALERS

**New Ful-O-Pep Veal Calf Sup  
makes veal feeding practical**

Consider what this extra profit per calf could mean:

Initial value of 100 lb. calf at 4 days	17.00
Average cost of Veal Calf Sup for 100 lbs. gain	26.25
	43.25
Average sale price of 200 lb. choice vealer*	68.00
Less initial value of calf plus feed cost	43.25
Extra profit over calf and feed	24.75
Total return over feed cost	41.75

\*Based on areas where quality veal is in demand.

**Don't sell your surplus calves at sacrifice prices  
Make more money—feed for veal**

## Feed Ful-O-Pep Veal Calf Sup

*Come in and see us soon*

Morgantown Feed & Grain  
Stevens & Morgantown

Millport Roller Mills  
Millport

S. H. Hiestand & Co., Inc.  
Salunga

Grubb Supply Co.  
Elizabethtown

Kirkwood Feed & Grain  
Kirkwood

H. M. Stauffer & Sons, Inc.  
Leola and Witmer

## Local Dealers Will Attend Machinery Meet

Three area machinery dealers and seven of their sales and service men will attend Oliver Corporation's "More from the Growing O" meeting at the Pennsylvania Farm Show Building, Harrisburg, Monday and Tuesday, December 9-10.

They are Nelson H. Hershey, manager of N. G. Hershey and Son, Manheim, with Ammon F. Shelly, salesman, and Galen W. Hosler, service man, John C. McComsey and Lawrence K. McComsey, partners in Charles J. McComsey and Sons, RD 3, Oxford, and Samuel V. McComsey, salesman; Ivan Z. Nolt, president of Farmersville Equipment Co., Inc., RD 2, Ephrata, accompanied by Clydedth Buch, manager, Charles Hackman, salesman, Eugene Putt, service manager and Phares Musser, parts man.

Oliver's new products for 1964 will be presented to dealers from throughout several states by Samuel W. White, Jr., president of Oliver, and his top management team from the Chicago headquarters of the farm and industrial equipment subsidiary of The White Motor Company. The two-day event will highlight methods by which the features of the new products can be presented most effectively to farmers and contractors.

## York Is Still Favorite Apple

HARRISBURG — York Imperial continues to be Pennsylvania's most popular apple.

This year's production of 2 million bushels was exactly one-fourth the total volume of apples produced in the state, the Pennsylvania Crop Reporting Service announced today.

Stayman ranked second with 1,360,000 bushels, Rome was third with 1,120,000 bushels; Delicious fourth with 880,000 bushels, and Golden Delicious fifth with 800,000 bushels.

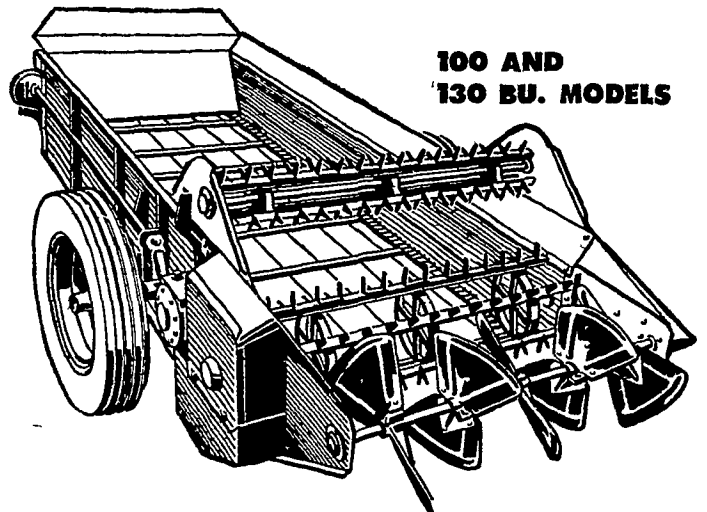
These rankings were unchanged from recent years. Production of other varieties were Jonathan, 456,000 bushels, McIntosh, 320,000; Cortland, 120,000; Grimes Golden, 104,000, Baldwin, 80,000, Nolt, president of Farmersville Equipment Co., Inc., RD 2, Ephrata, accompanied by Clydedth Buch, manager, Charles Hackman, salesman, Eugene Putt, service manager and Phares Musser, parts man.

In the nation, Delicious was the leading variety with a record production this year of 31.5 million bushels. York Imperials ranked seventh in the nation.

Hannibal is said to have used 37 elephants on his Italian Campaign, all brought over the Alps in the dead of winter. All but one soon died due to cold, lack of proper food, and battle wounds.

The miles travelled by autos each year decrease with the age of the car, and the size of the city in which it is normally used.

## FORD PTO MANURE SPREADERS



100 AND  
130 BU. MODELS

**COMPARE, FEATURE BY FEATURE  
FORD GIVES YOU MORE!**

- Rigid steel box frame with Penta treated wood box
- Roller chain drives
- Single lever control of 5 apron speeds
- Independent throw-out of beaters or apron
- Disc type friction overload clutch
- "No arch" design for easier loading, less plugging
- Self-cleaning beater teeth and replaceable paddle widespread
- Quick attaching "Snap-on" PTO coupling

**GET THE LOW-COST DETAILS TODAY!**



Elizabethtown  
Farmers Supply, Inc.

Elizabethtown  
Phone 867-1841

Grimm's Ford  
Tractor & Farm  
Service

Park Ave., Quarryville  
Ph. ST 6-2597

Keener Equip. Co.

Rts. 230 & 72, Lancaster  
Phone 569-9861

Allen H. Matz  
Denver  
267-5602

Sauder Bros.  
New Holland  
Phone 854-8721