

Tailor Made Milk From The Cow Sought By University Researchers

Tailor made milk, meeting specific needs of the population directly from cows, may some day be a reality, studies indicate at the Agricultural Experiment Station, the Pennsylvania State University.

Experiments show it is possible to change a cow's milk fat percentage and the composition of the fat. Now researchers like Robert D. McCarthy are working to learn whether they can influence the composition of milk in any particular direction.

"If such experiments are successful, cows could produce milk for ice cream for cheese-making, or for specific diets of children and adults," Dr. McCarthy states. "While milk is nature's most perfect food, it must be processed for manufacturing and other uses."

Dr. McCarthy and associates are experimenting with control of bacteria in the rumen, key to the development of tailor-made milk. Millions of bacteria are found in the cow's rumen, the first of four stomachs. These bacteria, and protozoa, change the feed materials eaten by the cow into milk-making nutrients.

"The rumen is a versatile fermentation vat, where bacteria are influenced by the type of feed a cow eats," Dr. McCarthy says. "When you change food materials some-

times you favor one bacteria over the other. The change in feed may strengthen certain bacteria and weaken others.

"This changes the products of fermentation, likewise changing the material available for milk production. Such chemical changes in nutrients will influence composition of the milk."

Apple Growers To Assess Selves For Promotion

York, Pa., Feb. 7—Pennsylvania's fruit growers meeting in York for the 103rd annual convention of the State Horticultural Association today resolved to assess their apple crops to provide an estimated \$150,000 annually to promote the state's 8,000,000 bushel harvest under the apple marketing act and enable

legislation signed last summer by Governor David L. Lawrence. The apple producers are the first agricultural group in the state to use the enabling bill to market their crop.

The resolution was adopted after growers voted Tuesday 82-15 favoring production assessments to provide funds for research, information and promotion of the apple industry. The referendum will be presented to Pennsylvania's 1,000 apple growers before July 1, 1962, according to Arthur E. Rice, Biglerville, chairman of the apple marketing committee of the association. A commercial apple grower has been defined as one having 200 trees or more.

The association Tuesday night chose Miss Joyce Ripley, 18-year-old brunette from Aspers, Adams County, as the 1962 State Apple Queen. She succeeds Miss Edna Jane Coble, also from Adams Co., and was the judges' choice of contestants from Adams, York, Franklin and Berks counties.

Officers elected to serve

the Association for the next two years are: President, William M. Lott, Gardnersburg, Md.; 1st vice-president, Raymond F. Reiter, Mars; 2nd vice-president, Robert Hyman, Northbrook; secretary, Herbert Apple, Mt. Pleasant Mills. Earl W. Strite, Harrisburg, was re-elected treasurer.

The convention adjourned Wednesday afternoon.

York Realtor Is National Officer

Paul A. L. Niesley, Realtor, 255 E. Philadelphia St., York, Pa., was installed as regional vice-president for Pennsylvania, Maryland, Delaware, West Virginia, and the District of Columbia of the National Institute of Farm Brokers during the annual inaugural meeting of the National Association of Real Estate Boards recently in Washington, D. C.

The Institute is an affiliate of NAREB.

Mr. Niesley, who has been Patronize our advertisers

in the real-estate field for 12 years, specializes in farms, land, and commercial and industrial properties. In addition to holding membership in NAREB and the National Institute of Farm Brokers, he is a member of the National Institute of Real Estate Brokers and the International Traders Club of the NIREB—also an affiliate of NAREB.

Organized in 1944, the National Institute of Farm Brokers is composed of 1,525 Realtors throughout the country who are experts in buying or selling rural land, including farms, ranches, and grove property.

TAKE CARE OF PLANTS

If Santa Claus delivered a potted plant to your home for Christmas you'll want to take good care of it and thus prolong its life. For all the help you need consult the Pennsylvania State University circular 488 "Your Holiday Plants." It can be obtained free at any county agricultural extension office.

Bulk Spreading Service
Dealers for—
FERTILIZER and LIMESTONE
SMUCKER BROS.
Bird-in-Hand
Ph. Leola OL 6-2229

MASTER FARMER RAT BAIT & CATTLE LOUSE POWDER
Both Guaranteed to do Their Job
ORGANIC PLANT FOOD CO.
GROFFTOWN ROAD
PHONE EX 2-4963

No Other Protein Need When You Feed



SPECIAL TANVILAC

Feeders Say . . .
"The Most Economical Feeding Plan of All"

No trouble with scours or cattle going off feed. You'll be more than satisfied with our feeding program for you'll get healthy stock, quick gains at low cost. Remember, there's a FEED LOT PROVEN TANVILAC CULTURE PRODUCT FOR EVERY FARM-FEEDING PURPOSE.

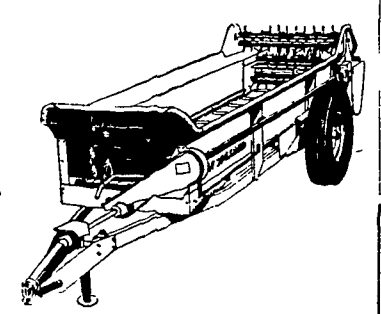
USE ONLY 1/3 LB. SPECIAL TANVILAC PER HEAD PER DAY WITH GRAIN AND ROUGHAGE — GET BIGGER PROFITS

FOR MORE PROFITS—MAIL COUPON
THE TANVILAC COMPANY, INC.
6th & Corning Aves., Box 96, Highland Park Station, Des Moines 13, Iowa
Please Send Me Additional Information about Special Tanvilac.
I have _____ Cattle
NAME _____
ADDRESS _____



PIAFER
The Most Famous Name In Corn
Pfister Associated Growers
R. D. 3, LANCASTER
Phone TW 8-7121

Here's BIG News from your NEW HOLLAND DEALER



SEE IT NOW! THE BIGGEST CYCLON-ACTION SPREADER!

New Holland's tractor-driven Model 475 Manure Spreader. GIANT 175-BU. ASAE-RATED CAPACITY provides a scientifically-proven and profitable way of fertilizing nearly an acre in one trip. You save trips, time and fuel. Exclusive CYCLON-ACTION gives you high speed shredding and fine, uniform spreading. Heat-treated paddles for extra toughness. . . specially treated wood flooring. . . primed steel sides. . . New Holland gives you the best combination of steel and wood for maximum strength and longer life. Convenient rope control puts you in charge of the whole operation from your tractor seat. ASK US ABOUT ALL THE ADVANTAGES OF A MODEL 475 SPREADER.

L. H. BRUBAKER
350 Strasburg Pike - Lanc
R. D. 3, Lititz, Pa.
Ph. Lanc. EX 7-5179
OV 7-002



HELP YOUR CALVES GROW-FAST!

Feed them Red Rose CALF STARTER

This premium-quality, dry feed—fed straight from the bag—adequately meets the protein, fat, mineral and vitamin requirements of calves from the start of grain feeding through the growing period. Calves will eat Red Rose Calf Starter at an early age for the coarse granular materials and choice ingredients in it make it highly palatable.

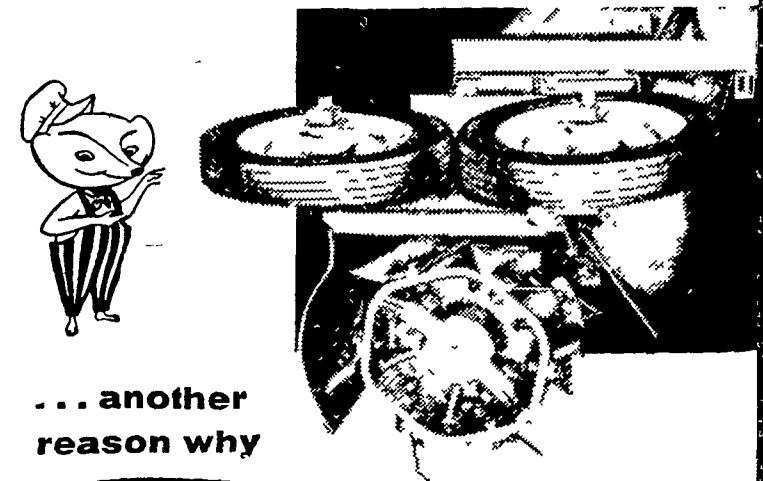
RED ROSE CALF STARTER supplies highly digestible protein. In using distillers' solubles, dehydrated alfalfa, and mill feeds, an adequate level of water soluble vitamins is assured during the critical nutritional period for calves prior to the time the rumen begins to function.

If you want to grow better, well-developed calves —feed Red Rose Calf Starter.

- Joseph M. Good & Son**
137 Newport Road, Leola, Pa.
- J. C. Walker & Son Inc.** Gap, Pa. **David B. Hurst** Bowmansville, Pa.
- Chas. E. Sauder & Sons**
R. D. 2, East Earl, Pa.
- Walter & Jackson** **A. L. Herr & Bro.**
Christiana, Pa. Quarryville, Pa.
- I. B. Graybill & Son**
Refton, Pa.

C. O. NOLT LOCAL DISTRIBUTOR

BIRD-IN-HAND Phone Lanc. EX 7-0751



Badger SILO UNLOADERS WORK BETTER IN FROZEN SILAGE

This is the heavy-duty frost cutter wheel that lets a Badger Silo Unloader shave frozen silage to within a quarter-inch of the silo wall. . . It features sharpened steel knives — and you can remove the entire cutter quickly and easily any time you want to re-sharpen them. . . Here's another example of the rugged, dependable construction that makes Badger America's most popular unloader.

- CALL US TODAY**
- R. M. BRUBAKER** - Salunga **RAYMOND GEHMAN** Bowmansville
- GRUMELLI FARM SERVICE** **JACOB F. BEILER**
R. D. #1 - Quarryville R. D. #1 - Kinzers
- FARMERSVILLE EQUIPMENT CO., INC.**
R. D. #2 - Ephrata

More Farmers Buy Badger Silo Unloaders Than Any Other