

Prices Down From Last Month Higher Than February 1960

Harrisburg—Prices received by Pennsylvania farmers in mid-February for their agricultural products averaged nearly 1 per cent below a month earlier, but were 5 per cent greater than in February 1960.

The Pennsylvania Crop Reporting Service, a federal-state cooperative agency in the State Department of Agriculture, said that seasonally lower prices for milk and a drop in the prices of eggs, steers and heifers, sheep and tobacco slightly more than offset higher prices for nearly all crops, hogs, cows and chickens.

The index of prices received, the barometer of farm income, was 237 per cent of the 1910-14 base of 100. This compares with 239 a month ago and 225 the same month last year.

During last November and December Pennsylvania farmers enjoyed a better position in the cost of living and production vs. prices received

than farmers in the rest of the United States. However, during January their relationship changed and in mid-February Keystone State farmers were 3 points under the U.S. average in this cost-price relationship.

Lueck

(from page 1)

Pasture Research Laboratory, Lueck authored two scientific papers and was cited in several others. His principal interest in research was the effects of environment on plant growth.

While doing graduate work at PSU, Lueck became certified to teach vocational agriculture in Pennsylvania. He taught at Chambersburg from 1950 to 1952 and has been the teacher of vocational agriculture at Jersey Shore since that time.

Following his interest in agronomy, Lueck has taught adult classes in ornamental horticulture and control of insects and diseases of lawn

and turf, as well as farm mechanics.

Lueck says, "My background and training are primarily in plants and soils, but my experience has been in general livestock and dairy farming."

He is married to the former Dorothy E. Skadra, the daughter of Mr. and Mrs. George Skadra, Lodi, Wisc. The Luecks have four children. They are Linda, ten; Dennis, eight; Beth, six; and Scott, four.

Lueck is a member of two agricultural fraternities Delta Theta Sigma, professional and Alpha Tau Alpha, educational. He is active in the church and community affairs being treasurer of a Church School, a teacher of a Church School class and a member of the official board of the church.

Lueck plans to move his family to the Lancaster area after the end of the present school term.

4-H Leaders

(From Page 1)

Warren Leininger, Mrs. Roy W. Martin, Mrs. John McCall, Mrs. Titus Shenk. Home Economics - 10 years. Mrs. Kenneth Musser, Mrs. Howard Swarr. Home Economics - 20 years. Mrs. Samuel B. Long, Everett Kreider was toastmaster in the absence of president Richard Lefever.

Awards offered to Future Farmers of America members encourage the boys to work harder in their study of vocational agriculture.

Buyer of Oak, WALNUT, Poplar, ASH, etc.

C. J. CHARLES LUMBER
New Providence, Pa.
Phone ST 6-3108

KILL RATS!
Use
RAT KAKES!



EASY BUDGET PLAN!

You pay in equal installments spread over the year—avoiding big bills in cold months when oil consumption increases.

GARBER OIL CO.

105 Fairview St.
MOUNT JOY, PA.
Ph. OL 3-2021

GREIDER LEGHORN FARMS

Distributors of

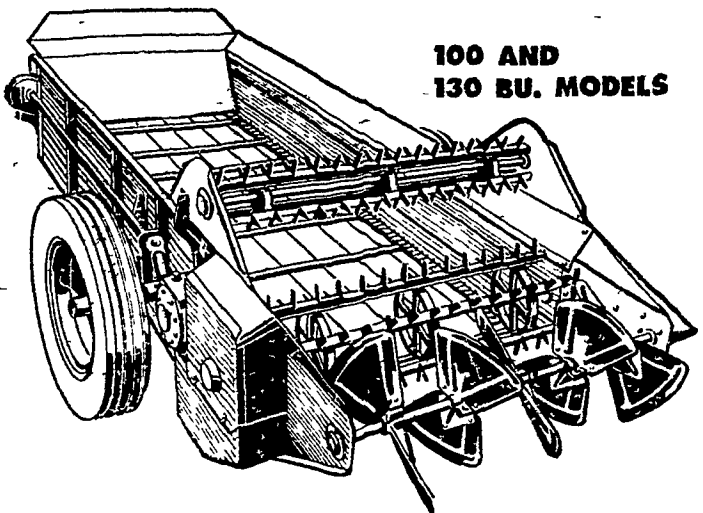
The SHAVER Starcross 288 Leghorn

TRY THIS RUGGED, CANADIAN BRED LAYER ON YOUR FARM. YOU'LL GET PLENTY OF EGGS IN THE ROUGHEST WEATHER. BE IT HOT OR BE IT COLD.

GREIDER LEGHORN FARMS, Inc.

Phone Oldfield 3-2455 MT. JOY, R. 1, PA.

FORD PTO MANURE SPREADERS



100 AND 130 BU. MODELS

COMPARE, FEATURE BY FEATURE FORD GIVES YOU MORE!

- Rigid steel box frame with Penta treated wood box
- Roller chain drives
- Single lever control of 5 apron speeds
- Independent throw-out of beaters or apron
- Disc type friction overload clutch
- "No arch" design for easier loading, less plugging
- Self-cleaning beater teeth and replaceable paddle widespread
- Quick attaching "Snap-on" PTO coupling

GET THE LOW-COST DETAILS TODAY!

Elizabethtown
Farmers Supply, Inc.
Elizabethtown
Phone EM 7-1341

Haverstick Bros.
Columbia Pike, Lancaster
Phone EX 2-5722

Sauder Bros.
New Holland
Phone EL 4-8721



Conestoga
Farm Service
Park Ave., Quarryville
Phone ST 6-2597

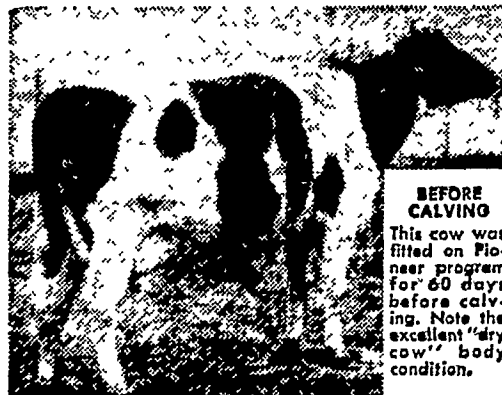
Allen H. Matz
Denver
Phone AN 7-6502

NOW is the time to **PLACE YOUR ORDER** FOR TOP-PERFORMING **FUNK'S G-HYBRID SEED CORN**

See your local Hoffman Seed-Man or Phone Landisville TW 8-3421

A. H. HOFFMAN SEEDS, Inc.

600 pounds of PIONEER "DRY AND FRESHENING" yields an EXTRA TON of milk!



BEFORE CALVING
This cow was fitted on Pioneer program for 60 days before calving. Note the excellent "dry cow" body condition.



AFTER COMPLETING RECORD
The same cow after having produced 23,044 lbs. of milk and 941 lbs. of fat as a 4 year old. Note the extreme dairyness and exceptional body condition shown after this cow produced 11 1/2 tons of milk.

60 DAYS ON PIONEER DRY AND FRESHENING WILL IMPROVE PROFITABILITY OF YOUR HERD

PIONEER DRY AND FRESHENING DELIVERS

- Up to 25% more milk
- Higher breeding efficiency
- Strong, vigorous calves
- Ease in calving
- Quick elimination of placenta
- Less udder congestion
- Better herd health

Calving stimulates a cow to produce fat beyond her ability to convert feed into milk. So, during the first months of her lactation, she "steals" milk-making nutrients from her body.

It requires only 600 pounds of Pioneer Dry and Freshening feed to repair the body tissue used during the previous lactation... to build a reserve of body condition for the next lactation... and to produce a vigorous calf.

Pioneer Dry and Fresh, fed during the dry period, is a sound investment in herd health, sustained high production, and longevity for your producing herd.



Joseph M. Good & Sons

LEOLA - QUARRYVILLE