



MILL FARM POPPY, the registered Guernsey cow which recently broke all records for the Guernsey breed is owned by George T. Pack, Lauxmont Farms, Wrightsville. The Excellent cow averaged over 81 pounds of milk through the 365 days of her record

York Co. Cow Sets Record

Mill Farm Poppy, a registered Guernsey cow, owned by George T. Pack, Lauxmont Farms, Wrightsville, has broken all milk production records for the Guernsey breed, the breed association revealed this week

"Poppy's" record of 29665 pounds of milk, and 1190 pounds fat, covers 365 days, three times a day milking, in the Advanced Registry Division of Official Testing, or an average of over 81 pounds of milk a day.

Her last milking, taken at 6:00 P. M., Friday, February 24th, produced 19.2 pounds, for a total of 61.7 pounds on the last day of record. Her highest day was 107 during the record. In early October, she suffered a severe case of bloat, drastically cutting her production.

Classified Excellent three times, the last at 93 points, "Poppy" rears the ultimate in dairy breeding

Co-op (From page 1)

Garber, who has been a member of the cooperative since he began farming in 1937, operates a 130-acre farm where he raises vegetable and maintains a 90-head herd of registered Guernsey cattle

Both Melhorn and Garber are active in other cooperative and farming enterprises. In its business report, the exchange reported a business volume of \$91,601,186 last year—\$1,646,048 higher than 1959. The total included the first full fiscal year of egg marketing for New England patrons, general manager W. D. Milsop said

Mildred E. Pike, treasurer, reported patrons' savings last year were \$2,839,778. One million dollars will be retained for capital requirements and the remaining \$1,839,778 will be returned to members as cash refunds, she said.

Feed continued to lead purchases, at 67 per cent of the total distribution dollar.

Farm Women 6 Visit No. 14

Society of Farm Women number six has made plans to visit with Society number 14 on March 15 in the home of Mrs. Lloyd Harnish, Willow Street R1, it was announced at the last meeting.

At the March 4 meeting at the home of Mrs. Ray Hixon the group voted to donate \$1000 to the Lancaster Co. Society for Crippled Children and another \$1000 to Heart Haven. The society also sent a donation to the committee for the testimonial dinner to honor retired county agent Harry S. Sloat.

Plans were made to serve a turkey dinner at Wyeth Laboratories, Marietta on March 29.

A total of 175 cancer dressings have been made by the society.

During the program, Mrs. Raymond B. Heisey spoke on the subject, "The Art of Living Abundantly", and played a piano solo

Hostesses were Mrs. Ray Hixon, Mrs. Clayton Risser, Mrs. Merle Ruhl and Mrs. Charles Nissley. Mrs. Risser was in charge of Devotions.

Patronize Our Advertisers.

DEAD ANIMALS REMOVED PROMPTLY
Will Pay Full Value For Dead Animals
Dealers in Bones, Tallow and Hides
FRY'S RENDERING WORKS

Prop., John Fry
2114 Hollinger Rd.
Lancaster
Ph. EX 2-4815 If No Answer Ph. EX 7-0472



The Most Famous Name In Corn

Pfister Associated Growers

R. D. 3, LANCASTER
Phone TW 8-7121



Spring is Here!

Now
If you're real careful you can make the same ole mistake you make every spring!

It's a mistake NOT To buy top chicks! Try Top Quality HONEGGER LAYERS!

J. HOWARD MOORE
307 East Second Avenue
LITITZ, PENNA.
Phone: MADison 6 5408

Windle's Hatchery
COCHRANVILLE PA
Phone: Atglen LY 3-5941



..Are As Consistent About Winning As Sunrise!

Here's a summary of Hi-Cash 1959-60 Winnings and Standings.

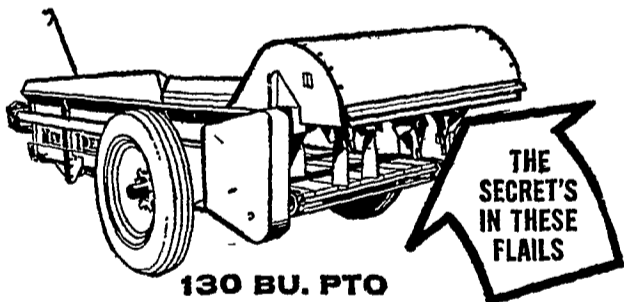
- Hi-Cash won the Missouri Random Sample Test
- Hi-Cash won the Florida Standard Test
- Hi-Cash had high hen and 7 of 10 high pens at Florida Test
- Hi-Cash had 3 of 5 high pens at Florida Standard
- Hi-Cash had 4 of 10 top pens at Missouri Standard
- Hi-Cash had third at Minnesota Random, seventh at Tennessee, eighth at North Carolina, ninth pen at Penn Random, and was second for the APJ Supreme Achievement Award, which Cashman won in the 1958-1959 year

YOU SHOULD READ THE AMAZING 1959-60 MISSOURI RANDOM SAMPLE TEST STORY! Send for free folder and READ IT before you "sign up" for any strain in the future!

WEAVER'S HATCHERY

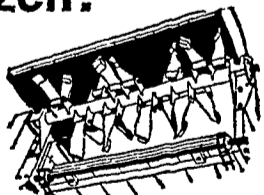
Phone Ephrata RE 3-0885
R. D. 4, LITITZ, PA.

Now On Display! NEW IDEA'S NEW FLAIL-TYPE SPREADER!



Spreads manure evenly... even if it's frozen!

Here's the amazing new NEW IDEA Flail type spreader that does an outstanding job—even if the manure is frozen. Undershot action uses 16 weighted, sharpened, free-swinging steel flails to slice, shred and throw manure down in an 80" to 90" wide pattern—regardless of cross wind. Backed by NEW IDEA'S full year guarantee.



SHREDS as it SPREADS as it FLAILS!

We're dealing BIG to save you money!

CHAS. J. MCCOMSEY & SONS
Hickory Hill, Pa.

A. B. C. GROFF
New Holland

LANDIS BROS.
Lancaster

WILBUR H. GRAYBILL
Lititz, R. D. 2

J. PAUL NOLT
Gap

H. S. NEWCOMER & SON
Mount Joy

A. L. HERR & BRO.
Quarryville

ALLEN H. MATZ
Denver

J. H. REITZ & SON, Inc.
Lititz, R. D. 4

Feed Your Home Grains and Save Money

But...for better feeding, mix them with

Red Rose®

32% DAIRY SUPPLEMENT

Dairymen use high protein Red Rose 32% Dairy Supplement with their home-grown grains because it contains many milk making properties and nutrients necessary to the cow's diet not found in grain and roughages. When you use Red Rose 32% Dairy Supplement with your grains you can mix rations of your own choice to fit the roughage you have available on your farm. They will be dependable, palatable rations, too, because all the needed proteins, vitamins, minerals, growth factors, and other nutrients were included in the Red Rose Supplement.



- A. S. Groff
118 N. Queen, Lancaster, Pa.
- J. C. Walker & Co.
Gap, Pa.
- Chas. E. Sauder & Sons
R. D. 2, East Earl, Pa.
- Musser's
The Buck, R. D. 1, Quarryville, Pa.
- Ammon E. Shelly
R. D. 2, Lititz, Pa.
- E. Musser Heisey
R. D. 2, Mount Joy, Pa.