

BROKEN LINES SHOW THE approximate location of the plot (1) on which the proposed Lancaster County Agriculture Center is to be located. Lancaster Poultry Center is located at the intersection of Roseville Road and the 230 By-pass (2). Location of the Production credit building is at (3) between the By-pass and the Manheim Pike on Roseville Road. The broken line at (4) shows the approximate location of the right of way to the Manheim Pike secured from the Highway Department by the Agriculture Center Board of Directors.

The Planning committee, charged with the design of the building itself, has made tentative plans to visit several New York communities where Farm and Home Centers have been developed. Plans for the tour are not yet complete, according to Snavely Garber, chairman of the planning committee.

No time table for construction has been proposed, but

the farmer who now farms the land has been asked to plant wheat on the ground this fall. Then there was the man who quit his job in the power factory because even time he went to work he got down in the mouth.



-Don't Neglect Your Eyes

Visit Your Eye Doctor if you are in doubt.

Doctor's Prescriptions Filled Adjustments, Repairs.

DAVID'S OPTICAL CO.

114 N. Prince St. Lancaster.

Phone EX 4-2767

Always See Better

● Ag. Center

(From Page 1)

than was originally announced. The Center will have no direct access to either the 230 By-pass or the proposed Route 30 By-pass.

You save money with our Texaco "All-Star" heating oil service!

GARBER OIL CO.
105 Fairview St.
MOUNT JOY, PA.
Ph. OL 3-2021

BURLING'S CHICKS For Quality Eggs, Meat

CAREY Leghorns again won top awards for Egg Quality at the 1960 NEPPCO Show.

At Burling's, you have eight top strains and crosses to choose from... for top quality Eggs and Meat.

For Big Brown Eggs Mer-ryknoll Sex-Links (Rock x Red), Golden Sex-Links —

Harco Red male x Andrews White Rock female

AND FOR MEAT — Van-ress x Cobb White Rock; Cobb's Strain-Cross White Rocks; Garrison's Cornish Male x Cobbs White Rock female; Burling's New Hamp-shires and Barred Rocks.

Reserve Your Chicks and Started Pullets in Advance. Free Circular. Open Dates.

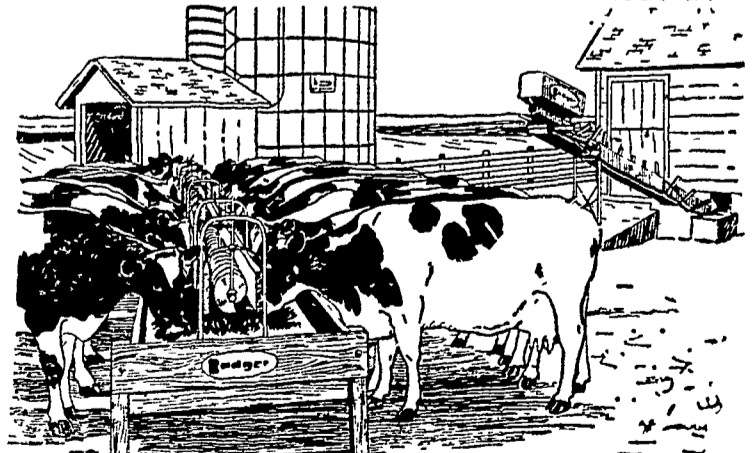
When you're ready to order, pick up the phone and call Oxford 286 collect.

BURLING'S HATCHERY

Box F Oxford, Penna.

DO YOUR CHORES IN MINUTES

AUTOMATICALLY WITH THE **BADGER BARN CLEANER SILO UNLOADER & BUNK FEEDER**
SAVE TIME • SAVE LABOR • SAVE MONEY



See your factory trained Badger Specialist LAYOUT - INSTALLATION - SERVICE

RAYMOND GEHMAN

BOWMANVILLE, PA.

Phone Terre Hill, Hillcrest 5-3080

Your money works while you sleep



Regardless of the purpose, or your goal, you reach it faster as a shareholder at State Capital Savings and Loan. They have been helping Pennsylvanians get ahead for 63 years. State Capital insures your Savings with more than \$6,400,000.00 in Reserves.

Current Dividend Rate

4% Per Year

STATE CAPITAL SAVINGS AND LOAN ASSOCIATION

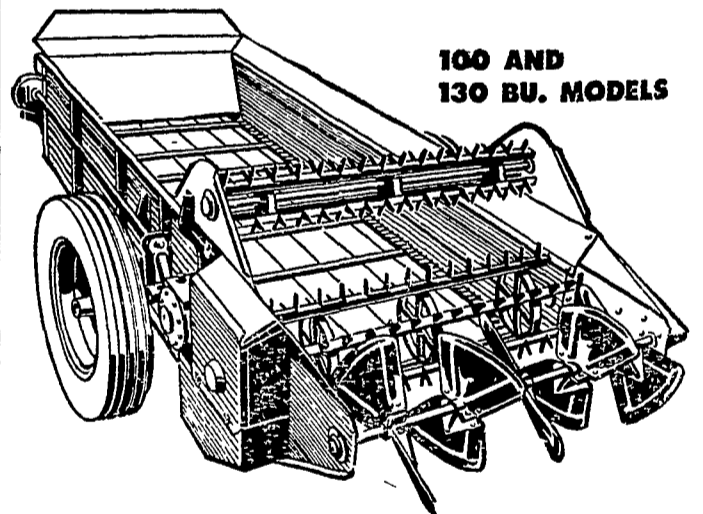
JOHN W. BUTTS

24 E. ORANGE ST.

LANCASTER, PA.

Phone EX 7-3514

FORD PTO MANURE SPREADERS



100 AND 130 BU. MODELS

COMPARE, FEATURE BY FEATURE FORD GIVES YOU MORE!

- Rigid steel box frame with Penta treated wood box
- Roller chain drives
- Single lever control of 5 apron speeds
- Independent throw-out of beaters or apron
- Disc type friction overload clutch
- "No arch" design for easier loading, less plugging
- Self-cleaning beater teeth and replaceable paddle widespread
- Quick attaching "Snap-on" PTO coupling

GET THE LOW-COST DETAILS TODAY!

- Conestoga Farm Service**
Park Ave., Quarryville
Phone ST 6-2597
- Haverstick Bros.**
Columbia Pike, Lancaster
Phone EX 2-5722
- Allen H. Matz**
Denver
Phone AN 7-6502
- Elizabethtown Farmers Supply, Inc.**
Elizabethtown
Phone EM 7-1341
- Sauder Bros.**
New Holland
Phone EL 4-8721



EASY PICKING

One Reason Why More Farmers Plant **DEKALB** than any other brand



P. L. ROHRER & BRO., INC.

SMOKETOWN, PA.
Ph. Lanc. EX 7-3539