

County 4-H

(From page 1)
ty dress revue In college she is a member of Kappa Omicron Phi, Omicron Gamma Pi, the college band and the college players She has been on the dean's list for scholarship for two semesters.

Dairy Foods Demonstration (Team)

Jean Kauffman, 15, daughter of Mr and Mrs Ray Kauffman, Drumore R1, and Saralce Bradley, 15, daughter of Mr and Mrs. Kersey Bradley, Holtwood R1. Both girls are juniors at Solanco high school At the 1959 4-H Club Week at Penn State they won a blue ribbon for their demonstration in Dairy foods.

Both are members of the Drumore 4-H Cooking Club, and have held several offices in the club.

Miss Kauffman has completed 4-H projects in foods and clothing, and Miss Bradley has completed projects in

flowers, clothing, foods and child care.

Miss Kauffman is a member of the Girl Scouts, the church choir, is a cheer leader in school, a member of the Student Council, and the Home Economics Club

Miss Bradley is a Girl Scout, won a gold medal in the WCTU speech contest, won first place in the County Grange talent contest, is pianist for Sunday School, and is a member of the Thespians and the Future Teachers Club

Each girl has been award-

ed a wrist watch in addition to the trip to 4-H Congress in Chicago.

September and October are good months to take soil samples from sod fields to be planted to row crops next spring. Soil samples to be analyzed by the soil testing laboratory at Penn State should be submitted in special containers available from county agents.

Shavings

HAROLD B. ZOOK

220 Lampeter Road
LANCASTER, PA.
Phone EX 4-5412

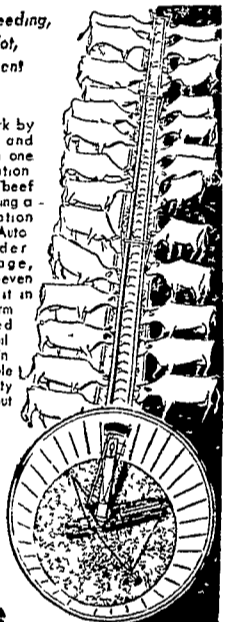
CLEAN DRY OR
GREEN PINE - MIXED

Bags or Bulk—Deliveries
over 2 ton and trailer load
prices

VanDale
AUTOMATIC FEEDING

Fingertip silage feeding,
from silo to feedlot,
without ladder, bent
back or pitchfork

SAVE time and work by
unloading, mixing and
delivering silage in one
push button operation
Step up milk and beef
production by installing a
VanDale Combination
Silo Unloader and Auto-
matic Bunk Feeder
Handles any silage,
ground or frozen—even
grass—delivering it in
more palatable form
with greater feed
value and less spoil-
age VanDale Silo Un-
loaders are available
in the Heavy Duty
Model, with or without
a Booster Unit
VanDale Bunk
Feeders fit any
slope bunk Both
are completely
portable



Send for
free "FACTS"
Bulletin

VanDale
...FIRST IN AUTOMATIC FEEDING

Investigate VanDale's Farm Equipment
Financing Program (F.E.F.P.) available now!

L. H. Brubaker

350 Strasburg Pike - Lanc.
LITITZ, R. D. 3
Ph. Lanc. EX 7-5179
Strasburg OV 7-6002
Lititz MA 6-7766

Pa. Hybrid Corn

Developed by Pa State
University Experimental
Station

Pa. #820 is doing a won-
derful job with regard
to standability and high-
er population than any
other variety. Yields this
year up to 160 bu. per
acre.

SEE OR CALL
US TODAY

REIST
Seed Company

MOUNT JOY, PA.
OL 3-3821

Increase your egg profits—

ORDER
H & N MARK II
LEGHORN PULLETS
From **FLORIN FARMS**

companion to the famous H & N Nick Chick Leghorn
... America's all-time profit Champion

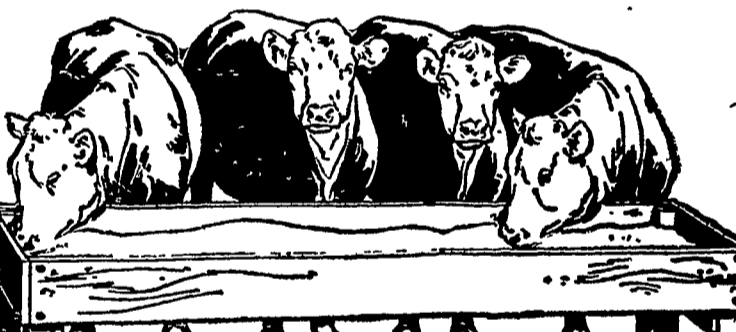
* **LARGE WHITE EGGS** at an early age,
plus famous H & N Breeding for high production,
high livability and superior egg quality—Vitaly im-
portant now to qualify for USDA's "Fresh Fancy" pro-
grams

Free descriptive circular Write or phone now

FLORIN FARMS, INC.

POULTRY FARM & HATCHERY
MOUNT JOY, R. D. #1 OL 3-9891

NEW PROTECTION
against
shipping fever losses



New Wayne Bio-Ruminutra—contains a high level of anti-
biotic plus premium nutrition to build extra body resistance
during the critical starting period. An appetizing, conditioning
feed, Bio-Ruminutra combats stresses of shipping, handling,
severe weather changes, and other conditions leading to the
shipping fever complex.

Wayne Beefmix A To Follow Up—contains a special feed-
ing level of antibiotic for continued protection against foot
rot and many other stresses. Beefmix A contains the same
rumen nutrients as Bio-Ruminutra for low cost gains, thrift and
condition.



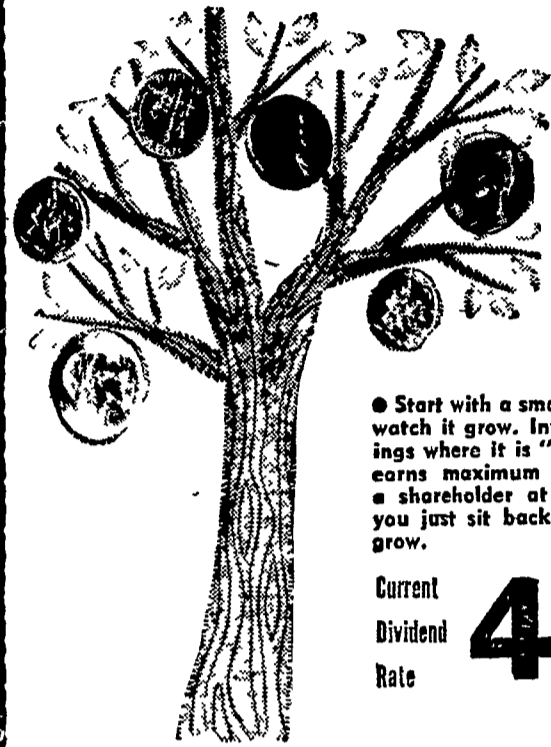
We Have A Wayne Feed To Meet
Every Cattle Feeding Need.

**SUNSHINE FARM
SUPPLY**

Lititz & Newmanstown

- | | |
|---|---|
| MOUNTVILLE
FEED SERVICE
R. D. 2, Columbia | ROHRER'S MILL
R.D. 1, Ronks |
| LIME VALLEY MILLS
R.D. 1, Willow Street | ROSS C. ULRICH, JR.
R.D. 2, Peach Bottom |
| J. K. STAUFFER & SON
Lawn & Bellaire | ABERDEEN MILLS
R.D. 2, Elizabethtown |
| HERSHEY BROS.
Reinholds | C. E. SAUDER & SONS
R.D. 1, East Earl |
| MILLERSVILLE
SUPPLY CO.
Millersville | H. M. STAUFFER
& SON'S, Inc.
Witmer - Ronks - Leola |

**Start Your
Own Money Tree**



Start with a small amount and
watch it grow. Invest your Sav-
ings where it is "risk free" and
earns maximum dividends. As
a shareholder at State Capital
you just sit back and watch it
grow.

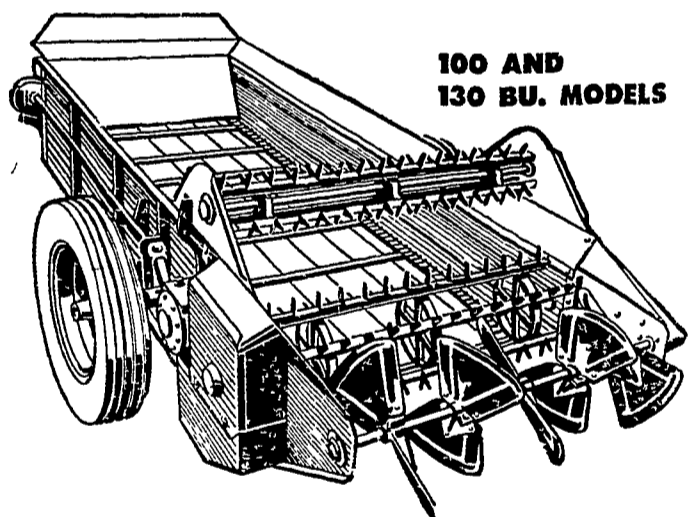
Current
Dividend
Rate **4%** Per
Year

**STATE CAPITAL
SAVINGS AND LOAN ASSOCIATION**

JOHN W. BUTTS

24 E. ORANGE ST. LANCASTER, PA.
Phone EX 7-3514

**FORD PTO
MANURE SPREADERS**



100 AND
130 BU. MODELS

**COMPARE, FEATURE BY FEATURE
FORD GIVES YOU MORE!**

- | | |
|--|---|
| ■ Rigid steel box frame with
Penta treated wood box | ■ Disc type friction overload
clutch |
| ■ Roller chain drives | ■ "No arch" design for easiest
loading, less plugging |
| ■ Single lever control of 5 apron
speeds | ■ Self-cleaning beater teeth and
replaceable paddle widespread |
| ■ Independent throw-out of
beaters or apron | ■ Quick attaching "Snap-on"
PTO coupling |

GET THE LOW-COST DETAILS TODAY!

- | | |
|---|--|
| Elizabethtown
Farmers Supply, Inc.
Elizabethtown
Phone EM 7-1341 | |
| Haverstick Bros.
Columbia Pike, Lancaster
Phone EX 2-5722 | Conestoga
Farm Service
Park Ave., Quarryville
Phone ST 6-2597 |
| Allen H. Matz
Denver
Phone AN 7-6502 | Sauder Bros.
New Holland
Phone EL 4-8721 |