

● Farm Show Schedule

(From page 7)

Banquets

- 6 30—State Beekeepers' Association, The United Church of Christ, 56 Banks Street, Penbrook. Turn right off Route 22 in Penbrook Square Opposite Penbrook Elementary school
- 6 30—Dairymen's Association, Annual Banquet—Pe.in - Harris Hotel, Ballroom
- Meetings and Special Events**
- 6.15—F.F.A. Band Concert—Large Arena.
- 7.30—Sheep and Wool Growers' Association, Room B, Main Show Bldg
- 7.30—Folk Dance Festival and Contest—Large Arena.

WEDNESDAY MORNING, JAN. 13

- 8.00—Judging Brown Swiss—Including 4-H Club Classes—Large Arena
- 8 00—Judging Jerseys—Including 4-H Club and Vocational Classes — Large Arena.
- 8.00—Pennsylvania Holstein Association, Fifth Street Methodist Church, 5th and Granite Streets (1700 Block)
- 8.30—Vocational Demonstration Contests Room A (Auditorium), Continuous until 5:00 p.m.
- 9.00—Judging Aberdeen-Angus — Large Arena.
- 9:00—Judging Herefords—Large Arena
- 9 00—4.H Club Potato Grading Contest 9 00 to 11 30 a.m. and 1.00 to 4.00 p.m.—Office No. 2, Large Arena,

Second Concourse.

- 9 30—Future Farmers of America Executive Committee reconvenes, Cumberland Valley High School.
- 9 45—Future Homemakers of America Meeting, The Forum, Education Building.
- 10 00—Berkshire Sale—Small Arena
- 10 00—Egg Show, Poultry Room, Main Show Building
- 10 00—Poultry Federation reconvenes, Room B, Main Show Building.
- 10 00—Pennsylvania Flying Farmers Association— Harrisburg-York State Airport, New Cumberland.
- 11:30—Duroc Jersey Sale—Small Arena

WEDNESDAY AFTERNOON, JAN. 13

Meetings

- 12.30—Judging Polled Herefords—Large Arena.
- 12.30—Judging Shorthorns—Large Arena.
- 1:00—Hampshire Sale—Small Arena.
- 1.30—Poultry Federation reconvenes, Room B, Main Show Building.
- 1:30—Future Homemakers of America, Room 321, Educational Building.
- 2 00—4.H' Leaders' Advisory Committee, Room D, Main Show Building.
- 2.30—Yorkshire Sale—Small Arena.
- 3.30—Pennsylvania Jersey Cattle Club Meeting, Room E, Main Show Building
- 4 00—Shorthorn Breeders' Association—

Turn To Page 11

● Future Farmers (From page 9)

summer as well as several ribbons at the Southeastern Pennsylvania District dairy show.

JOHN WIKER

The Star Keystone Farmer of Lancaster County and winner of the outstanding rural youth award for FFA is John Wiker, son of Mr. and Mrs. John B. Wiker, of Strasburg R1.

His activities include participation in the Lancaster Muzzle Loaders Club and service as the sentinel for the local FFA chapter.

In addition to the home place, John farms 20 acres on the farm of a neighbor. His farming included 4600 pullets raised to be sold as layers, 10 angus steers, 7½ acres of tobacco and 10 acres of corn.

John went into the poultry business at home as a freshman in high school after his father had gone out of the business and vacated the poultry houses He built

a small broiler business to the farming program now has and plans to continue to farm and expand after graduation.

DONALD W. NETZLEY
This 12th grade student Cocalico High School is 17 year old son of Mr. and Mrs. Paul Netzley, Stevens R1.

Donald developed a route to sell the sugar pea sweet corn and eggs that produced. He also raises one and one half acres tobacco each year.

Donald rose from the presidency of the local chapter FFA to the office president this year. He also an active member the Schoeneck Fire Company.

JAMES L. NOLT

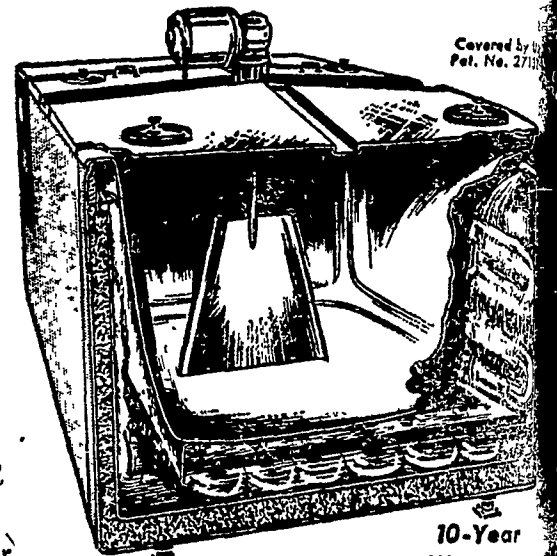
James is the son of Mr. and Mrs. Martin Nolt, Manheim R1, and a 17 year senior at Manheim Central High School.

Project programs built around swine have been (Turn to page 11)

DAIRYMEN

Get Full Information About the New

Patented ESCO "ICY-WALL" Bulk Milk Cooler



The exclusive, patented "ICY-WALL" Principle...

Cools your milk faster
Keeps your milk colder

Operates at lower cost

10-Year Warranty
Costs less to install

Drop in, write or phone for Complete information. No obligation.

BOOTHS 396-399 INCLUSIVE AT THE FARM SHOW

Stauffer Diesel Refrigeration

GORDONVILLE, R. D. 1 Ph. Intercourse SO 8-81

HERR'S BULK BIN SERVICE

Builders of Feed and Grain Bins

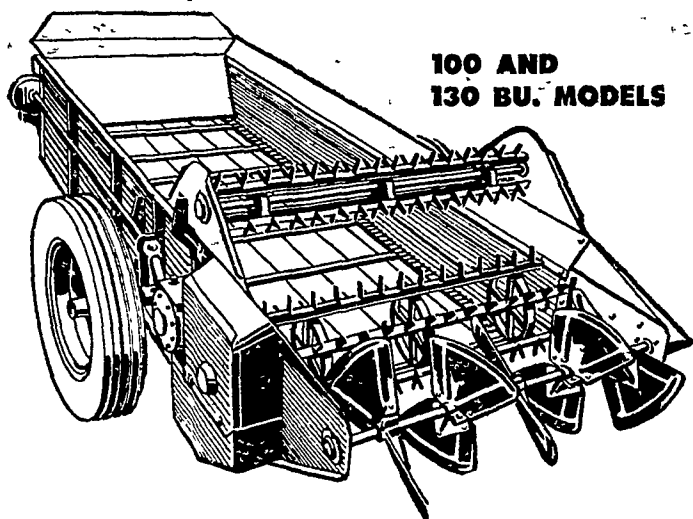
ALL SIZES TO FIT EVERY NEED

GORDONVILLE, PA.

Ph. SO 8-3931

Ford PTO

Manure Spreaders



100 AND 130 BU. MODELS

COMPARE, FEATURE BY FEATURE FORD GIVES YOU MORE!

- Rigid steel box frame with Penta treated wood box
- Roller chain drives
- Single lever control of 5 apron speeds
- Independent throw-out of beaters or apron
- Disc type friction overload clutch
- "No arch" design for easier loading, less plugging
- Self-cleaning beater teeth and replaceable paddle widespread
- Quick attaching "Snap-on" PTO coupling

GET THE LOW-COST DETAILS TODAY!

Sauder Bros
New Holland
Phone EL 4 8721

Allen H. Matz
Denver
Phone AN 7-6502

Conestoga Farm Service
Park Ave., Quarryville
Phone ST 6-2597



Elizabethtown Farmers Supply, Inc.
Elizabethtown
Phone EM 7-1341

Haverstick Bros.
Columbia Pike, Lancaster
Phone EX 2-5722

Hespenheide & Thompson, Inc.

YORK, PA.

1st in PREMIER Quality Feeds

1st in PREMIER Morea Liquid Feeds

1st in S&H GREEN STAMPS.

For Details See Your Friendly Premier Dealer

or

Contact us at the Penna Farm Show. Booth #753 & 754

Premier is the Feed Quality is the Reason

Lebanon Chemical Corp.

Lebanon, Pa. PH. Crestview 3-1687

COMPLETE PLANT FOOD SERVICE

ASK US ABOUT

● Liquid Fertilizer ● Liquid Nitrogen

STOP AT BOOTH 748

(Next to the door of the Poultry Building)