

### Broilers

NO SALE, 17.3 bid.  
 21 M&B (Moses Zimmerman) 260 WX-Cap, 13, H. H. Weaver, Jr., 198 22 SAME, 700 WX-Cap, 13, Mellinger, 196 23 SAME, 500 WX-Cap, 13, H. H. Weaver, 198 24 Richard Bomberger, WR-Cap, 13-2, NO SALE, 17.3 bid. 25 Howard Kreider, Jr., 250 WR-Cap, 12, Mellinger, 18.3.  
 26 SAME, 875 WR-Cap, 12, Col. Hill, 18.3. 27. SAME, 675 WR-Cap, 12, Good, 18.0 28. Harvey P. Zimmerman, 700 WV-Cap, 14, NO SALE, 19.6. 29 SAME, 350 Belts, 16, Rettinger, 28.0. 30 Eugene Zwally, 250 IRW-Cap, 16, NO SALE, 16.0 bid  
 31 Richard Myers, 500 W. M-Cap, 14, NO SALE, 19.0 bid 32. Roy Heckenluber, 500 young Leghorn fowls, withdrawn 33. G. Walter Jackson, 450 young Leghorn fowl, S. E. Davis, 11.8. 34 Benjamin K. Stoltzfus, 800 Leghorn fowl, 2 yrs., S. E. Davis, 11.9. 35. Lloyd Wenger, 175 White Pekin ducks, 12, Good, 15.1.  
 36. J. Carl Graybill, 800 Leghorn fowl, 1 1/2 yrs, Ream, 11.8. 37. Elmer Senseng, 800 WV-Cap, 13-2, NO SALE, 17.4 bid 38. N. Farke Miller, 700 WV-P-Cap, 14-2, Good, 18.3. 39 SAME, 450 IRW-P-Cap, 15-2, Mellinger, 18.4. 40. Morgantown Feed (Richard Grossman)- 900 WV, 10-6, Ream, 18.0.  
 41 MF (Oliver, S. Mast), 3100 WR-C, 9, V. Weaver Inc., 18.2. 42 MF (Mast), 3200 WV, 9, H. H. Weaver 18.1. 43. MF (John Zook), 1000 WV, 1, V. Weaver, 17.9. 44 MF (Charles Newlin), 4800 WV, 9-6, H. H. Weaver, 18.3. 45 MF (Amos K. Stoltzfus), 4000 WV, 8-6, NO SALE, 18 bid  
 46. Eugene K. Metzler, 1500 WV, 9-2, Risser, 18.4. 47. Edgar M. Martin, 2975 WC-X, 9-6, V. Weaver, 18.0. 48. Martin, 2000 White Rocks, 9-6, H. H. Weaver, 18.0. 49. Martin, 325 WX, 9-6, NO SALE, 17.6 bid. 50 John L. Keener, 400 WV-Cap, 14-6, NO SALE, 17.3 bid

### MUSSER Leghorn Chicks

...for large white eggs of premium quality  
 "Direct from the Breeder"  
 Money-Makers plus Satisfaction



Phone Mt. Joy 3-4911  
 MOUNT JOY, PA.



### BURNS CLEANER!

No smoke or odor with Texaco Fuel Chief Heating Oil. Contains Additive A-200, protects against rust and deposits.

### GARBER OIL CO.

105 Fairview St.  
 Mt. Joy, Pa.  
 Ph. OL 3-2021

### Sept. Broiler Pullet Hatch

Up 40% Over '57

The indicated placement of pullet chicks from broiler hatchery supply flocks by ten of the largest primary breeders of Pennsylvania totaled 2,700,000 chicks during September.  
 This was 40 per cent more than in September of 1957 Pullet

### Midwest Markets

(Continued from page 2)  
 steers 26.50.  
**SHEEP** — 2000 — Receipts overrunning the estimate by fully 1,000 head, bulk of the supply slaughter lambs with shorn kinds outnumbering full woolled descriptions. Woolled slaughter lambs steady to 25 lower, 20 head lot mostly prime 95 lb weights 21, about two decks choice and prime 95-106 lb woolled lambs 23.50-23.75, most good and choice grades 22-23., load 110 lb weights 22.50. Load 95 lb Burry lambs 22. Shorn lambs 25-50 lower, three decks mostly choice 95-100 lb weights with No. 1 pelts 22.50, 400 head good and choice 97 lb No. 1 pelt lambs 21.50, these feedlot mates of 22. offerings Tuesday. Slaughter ewes scarce, about steady. Most cull to good 6-7., few choice up to 8

51. Moore Farms (Warren Meyer) 750 WR-Fowl, 1 yr., S. E. Davis, 15.6. 52. M&B (Arthur Spickler), 7000 WV, 9-2, V. Weaver, 18-2 53 Glenn H. Herr (Jacob Fisher, Jr.), 175 IR-Cap, 14-6, Risser, 20.3.

chick placements by the ten breeders during the first nine months of 1958 totaled 26,103,000, 24 per cent more than during the same period of 1957.

The totals include pullet chicks sold during the month, plus the number of pullet chicks expected from eggs sold during the preceding month

The conversion from eggs to expected pullet chicks was made on the basis of 125 pullet chicks per case of hatching eggs sold. Breeders included in the Penn. Crop Reporting Service report, account for a very large per cent of the total replacement pullets for hatchery supply flocks

Placements for supply flocks by the ten breeders for 1958, as of per cent of 1957 monthly placements are as follows Jan. — 105; Feb. — 114; Mar. — 123; April — 109; May — 125; June — 165; July — 182; Aug. — 188, Sept. — 140.

### DHIA Test Records Reported

Following are the names of area dairymen and the details of purebred cattle production tests of animals in their herds, as supervised by Penn. State University.

They are listed by owner, the animal's name, age, production in pounds of milk and butterfat and system of milking.

#### GUERNSEYS —

Guy A. Leader and Sons, Inc., York, Laurel Mills G P Blossom, junior three-year-old, 13,300 and 531, twice daily for 305 days.

Leader and Sons, Laurel Cliff Miss Aliza, senior three-year-old, 10,99 9and 549, twice daily for 305 days.

Rutter Bros., York, Ideals Rose Kings Martha, five-year-old, 9,855 and 566, twice daily for 305 days.

Charles P. O'Connor, West Chester, Bain Ridge Pre Heires,

five-year-old 12,450 and 646, twice daily 365 days

R. F. and . A. Witmer, Willow Street, Winding Lane Georgia, 9,787 and 578, twice daily for 305 days.

Coldspring's Beauty's Lynn, registered Guernsey bull owned by Howard B. Bomberger, Lebanon, Pa., has become a Summarized Sire, according to the Club.

To attain this distinction, a bull must have at least 10 daughters with official production records.

"Lynn" has 12 tested daughters with 20 official records. Their average production is 9,653 pounds of milk and 450 pounds of fat, when converted to a twice-daily, 305-day, mature equivalent basis.

Twelve of his registered daughters classified with an average rating of Desirable.

**FARMS** adjoining to combine 300 ACRES — most outstanding and modern farms in the country in best of condition — three houses, most modern tiled dairy barn in the country with pipeline milking and stainless steel tank, complete milking equipment, two large modern chicken houses to keep 12,000 layers with automatic feeders and waterers, egg coolers, 2 egg cleaners, 2 egg graders — offered along with all stock and equipment in part including most modern indoor hay dryer along with seven wagons equipped to haul from field immediately in green condition in bales and dried inside for best quality hay and includes 6000 gallon oil tank, self propelled combine, trucks, 2 balers, harvester, 2 stalk busters, 2 cultipackers, 2 manure spreaders, wagons, 2 sprayers, 3 canvas unloaders, grain wagons, grain drill, disc, hay rakes, hay conditioner, rotary hoe, 3 tractor plows, 5 tractors, along with 20,000 laying hens and pullets, and most outstanding herd in the country of 150 head Pure Bred Holstein Dairy cattle.

**INSPECTION OF THE PLACE WITH STOCK and EQUIPMENT WILL PROVE TO BE THE OUTSTANDING FARM SITUATION IN THE COUNTRY.**

Write Post Office Box 838, Reading, Pa.

Only **ONE** PIPELINE MILKER gives you these vital features...

- Insures uniform milking. Only the De Laval Combine gives you this essential uniformity because only De Laval has magnetic pulsation control.
- Insures gentle milking. No heavy tugging or jerking weight on the delicate udders.
- Insures perfect milking. De Laval made the first pipeline and the De Laval Combine has been perfected by more than a quarter century experience.
- Insures simple, perfect washing. De Laval's "In-Place" washing system does a thorough job of sanitizing. Uses 73 less hot water and 90 per cent less detergent.

De Laval COMBINE — first since 1928.

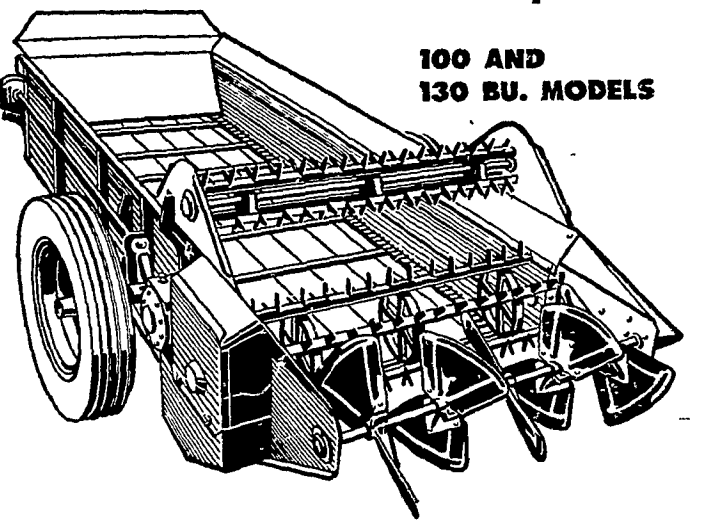
...the De Laval COMBINE



Before you invest in any PIPELINE MILKER SEE:

- |   |                                   |
|---|-----------------------------------|
| Landis Bros.<br>Manheim Pike, Lanc.             | Weaver's Farm Equip.<br>Strasburg |
| Summers Bros.<br>Gap                            | J. B. Zimmerman<br>Blue Ball      |
| Lanc. Co. Farm Bureau<br>Dillerville Rd., Lanc. | Sholtzberger's<br>Elm             |

### NEW FORD PTO Manure Spreaders



### COMPARE, FEATURE BY FEATURE FORD GIVES YOU MORE!

- Rigid steel box frame with Penta treated wood box
- Roller chain drives
- Single lever control of 5 apron speeds
- Independent throw-out of beaters or apron
- Disc type friction overload clutch
- "No arch" design for easier loading, less plugging
- Self-cleaning beater teeth and replaceable paddle widespread
- Quick attaching "Snap-on" PTO coupling

GET THE LOW-COST DETAILS TODAY!

- |   |   |  |
|---|---|--|
| Allen H. Matz<br>Denver<br>Phone AN 7-6502                      | Conestoga Farm Service<br>Park Ave., Quarryville<br>Phone ST 6-2597   | Sauder Bros.<br>New Holland<br>Phone EL 4-8721 |
| Haverstick Bros.<br>Columbia Pike, Lancaster<br>Phone EX 2-5722 | Elizabethtown Farmers Supply Inc.<br>Elizabethtown<br>Phone EM 7-1341 |  |

