



A TWO-FOLD "TREAT" to be sure are the beautiful young ladies shown here. And why not? The young lass on the left is none other than Miss Susan Treat, 19-year-old Orange, Conn. farm girl, who is also Miss Eggtober of 1958. With our first "treat" is Miss Diane Bitting, 17-year-old Bucks County broiler producer, who also is Penna. Poultry Industry Queen for 1958-59.

A smart husband doesn't get so busy bringing home the bacon that he forgets the applesauce.

More than a fourth of the dairy cows in the United States are now bred artificially.



THE VETERAN and the up-and-comer — David Redding, 18-year-old Gettysburg, Pa. farm lad who was named the NEPPCO-FFA Star Poultry Farmer of the 14-state Northeastern area, looks over one of the Leghorn hens he rears on his own farm, layers which are bred on the farm of Guy

A Leader Sr. (right) The father of Pennsylvania's Governor George Leader, a resident of York, met with Redding at the 21st annual exposition of the Northeastern Poultry Producers Council in Harrisburg, Pa. More than 5000 persons visited the exposition.



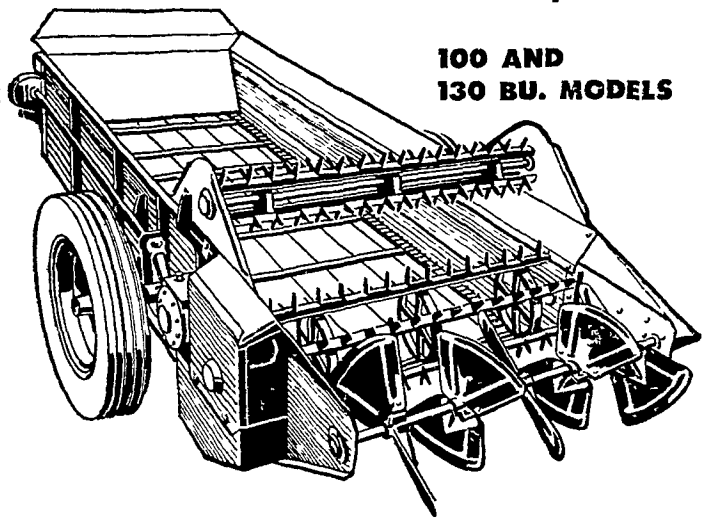
Amidst this Crisis in Education, why did Our Representative Vote No on State Financial Help, While Voting Yes and Putting Tax on School Books?

Kenneth McCauley

DEMOCRATIC
CANDIDATE FOR
REPRESENTATIVE



NEW FORD PTO Manure Spreaders



100 AND 130 BU. MODELS

COMPARE, FEATURE BY FEATURE
FORD GIVES YOU MORE!

- Rigid steel box frame with Penta treated wood box
- Roller chain drives
- Single lever control of 5 apron speeds
- Independent throw-out of beaters or apron
- Disc type friction overload clutch
- "No arch" design for easier loading, less plugging
- Self-cleaning beater teeth and replaceable paddle widespread
- Quick attaching "Snap-on" PTO coupling

GET THE LOW-COST DETAILS TODAY!

Conestoga Farm Service

Park Ave., Quarryville
Phone ST 6-2597

Haverstick Bros.

Columbia Pike, Lancaster
Phone EX 2-5722

Allen H. Matz

Denver
Phone AN 7-6502



Elizabethtown Farmers Supply Inc.

Elizabethtown
Phone EM 7-1341

Sauder Bros.

New Holland
Phone EL 4-8721

ATTENTION DAIRYMEN

For Your
**Limestone Sand For Use
In Dairy Barns**

Call

D. M. STOLTZFUS & SON, INC.

Asphalt Paving & Crushed Stone

Quarryville, Pa.

Quarryville — STerling 6-2191

IT'S NO ACCIDENT

that in 1957 A. H. HOFFMAN SEEDS produced more acres of Pa. "Certified SEED WHEAT" than the 3 next largest producers combined.

also
36% of all Pa. "Certified" WONG BARLEY
93% of all Pa. "Certified" WINTER OATS
All because so many farmers wanting bigger yields demand dependable A. H. Hoffman seeds. Contact your Hoffman Salesman or Phone TW 8-3421 for delivery right to your farm.



A.H. Hoffman Seeds, Inc.
Landisville, Penna.

FOR ANY FARM PURPOSE
MADE THE FARMER'S
WAY

Lancaster Production Credit Ass'n.
411 W. Roseville Rd.
Lancaster, Pa.
Ph. Lanc. EX 3-3921

"Also Bail Bond Service"
BUHRMAN'S
CONVENIENT — ONE PRICE
PARKING LOTS IN
LANCASTER
Opposite Brunswick Hotel —
Opposite Post Office
Chestnut & Queen Streets —
West Chestnut Street
Next to Western Auto & New
Weber Hotel
East King Street
Norman A. Buhrman,
228 N. Duke St.
* Also Bail Bond Service *

Lloyd M. BURKHOLDER

Chick Hatchery

Red or White
Vantress Cross
White Leghorns
RB Red Cross
U.S. Approved
Pullorum Clean



Call RE 3-0613

R D 1—Ephrata, Pa.
1 MILE N.E. of City on Stevens Rd.