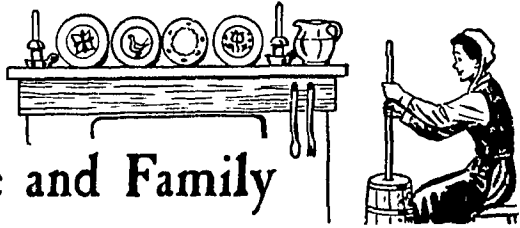


For the Farm Wife and Family



(Continued from page nine)
with sugar sides up, on greased cookie sheet 3 inches apart Sprinkle each cookie with two or three drops of water Bake 12 to 15 minutes in 375 degree oven. Makes four to five dozen

ORANGE-NUT GINGER BARS

1 package ginger-cake or gingerbread mix
¾ cup lukewarm water
1 tablespoon grated orange rind
1 cup chopped walnuts
Heat oven Grease two 9x9x2 inch cake pans To mix, gradually add water, mix Add rind, walnuts, mix Pour into pans, bake 12 to 15 minutes in a 350 degree oven While cake is warm, frost with orange butter icing. Cut into bars Makes four dozen

CHOCOLATE CHEWS

2 eggs, slightly beaten
1 cup granulated sugar
½ teaspoon vanilla extract
½ cup butter or margarine

2 squares unsweetened chocolate
½ cup plus one tablespoon sifted enriched all-purpose flour
½ to 1 cup chopped walnuts or pistachio nuts
Heat oven. Grease 11x7x1½ inch pan. Mix well eggs, sugar, vanilla Melt butter with chocolate Cool a bit; mix with egg mixture Add flour, mix well Turn into pan, top with nuts Bake until done, 35 to 40 minutes, in a 350 degree oven Makes 24 squares.

FOOD CAN BE A SUMMERTIME HEALTH HAZARD

Here's a reminder that food can be a health hazard for your family in hot weather. The danger of summer food poisoning mounts with the mercury
It is suggested that all cooks and housewives keep a careful eye on cream-filled pies and pastries, and dishes containing eggs, milk, meat, gelatin, poultry, or



WHAT OTHER THAN POULTRY could Lancaster County Poultry Queen Marcalena Hess, 17, R1 Bareville, (right) choose to demonstrate? Her team-mate is Miss Mary Grube, 17, R3, Lutz They will demonstrate preparation of Chicken a la King at 4-H Club week. Others giving foods demonstrations from Lancaster County will be Misses Delores Warfel, 15, R6 Lancaster, and Anna Mary Singer, 15, 133 Kready Avenue, Millersville. They will prepare "Potato Stuffed Tomatoes."

fish Safeguard your family's health by keeping these foods refrigerated Summer food poisoning sometimes results from eating these foods Or from eating pork products such as milk-cured ham

Soft, high-protein content foods, especially those handled in preparation, are subject to rapid and dangerous spoilage at warm temperatures The spoilage may result in severe illness even though the food shows no sign of spoiled odor, taste, or appearance

Homemakers are cautioned against taking cream pies on picnics or entering them in fair foods exhibits Judges have to sample all pies entered And cream pies kept at room temperature for several hours in fair buildings can be dangerous eating.

Rules Changes Announced For International

CHICAGO — Director of the International Livestock Exposition and Horse Show, to be held here Nov 29 to Dec 7, have listed various changes in the rules for showing livestock

Among the rules changes were Purebred animals must be owned by the exhibitor for 60 days prior to the closing date for making entries, Nov 1, and registry certificates must be produced by the owner.

Steers, wethers and barrows must be owned by the exhibitor at the time of entry closing. Any animals sold at sales or shows after Nov. 1 will not be eligible to compete

Parting with tradition, the directors of the program voted to drop the champion by age judging in steers and the weight champions in swine. Breed champions only will be chosen

The grand champion steer and grand champion barrow over all breeds will be chosen from the various champion and reserve champion breed winners

Weight requirements in the international steer show will be abolished at the 1957 exposition in view of the close determination of age made by a committee of veterinary experts on cattle den-

We hope you've found some recipes for some happy summertime refreshment on our pages today Don't forget to send in your favorite recipes to us Be back next week with more recipes.

HEALTHY
BABCOCK
BESSIE
says:

THIS IS HOW TO RUN A "SPLIT-FLOCK" TEST

If you run a split-flock test I suggest that you get both strains of day-old chicks the same day One strain should be carefully toe marked Give both strains the same kind of quarters heat, feed, etc I believe it best to keep the two strains separate right from day-old because some strains are much more vicious and cannibalistic than others

Both strains should be simultaneously housed in similar laying pens with equal floor space, water trough, mash hoppers, feed, lights, etc Put lights on pullets as soon as you house them and push for top lay I hope that all birds you test make you top profits

This is How to Test Babcock Bessies

When can we send you your Babcock Bessies? Tell our competitor you are testing his pullets against Babcock Bessie Don't tell us about your test until after we have delivered your Bessies to you You get the same quality from us whether you run a split-flock test or purchase all your chicks from us.

Ask about our advance order discounts Many of our customers are ordering their Babcock Bessies up to a whole year ahead to take advantage of these discounts

Babcock Poultry Farm, Inc.
Route #3
Ithaca, New York

Russell Mease
Route 4
Manheim, Pa.
Local Representative
Phone Manheim MO 5-4705

FURNITURE AT BIG DISCOUNTS

Store Hours: Mon., Tues., Wed. — 9 A.M. to 6 P.M.
Thurs., Fri., Sat. — 9 A.M. to 9 P.M.

DELIVERY AVAILABLE — EASY TERMS
FREE PARKING

NOW . . . 2 STORES TO SERVE
YOU BETTER

<p>MARTINDALE FURNITURE STORE PH. HILLCREST 5-2932</p>	<p>INTERCOURSE BRANCH PH. SO8-3752</p>
---	---

"The Cash Discount Stores"

COLOR

telephones can make such a beautiful difference

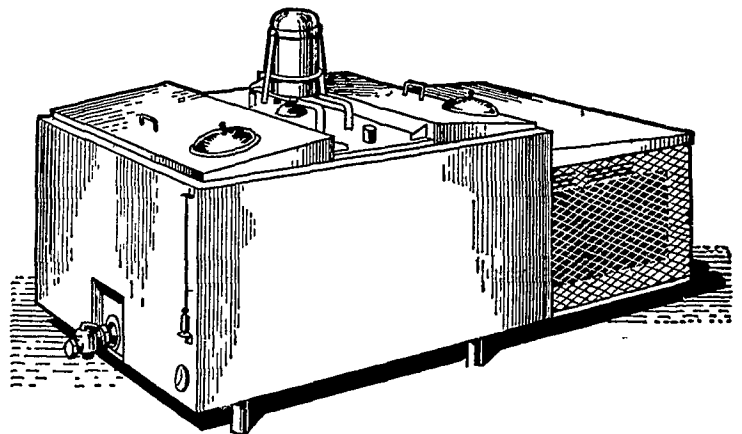
Color does a lot to spruce up any home. And now you can get telephones that sparkle in radiant color.

You'll find there's one just perfect to set off any room in your home or apartment. Available in the latest decorator shades, these telephones give you fashion's latest flair.

Call our business office today for full information. Then see what a beautiful difference a smart color telephone can make in your home.

COMMONWEALTH TELEPHONE COMPANY
DALLAS, PA. QUARRYVILLE, PA.

Jamesway. SANI-KOOL BULK MILK COOLERS



LOWEST LINE IN THE INDUSTRY

Here's a great new line of coolers — direct expansion type — to meet every need. Seven models to choose from in self contained and remote control units. Many exclusive features.

- Low height . . . 32 inches . . . means easily effortless pouring.
- Fast cooling, low blend temperatures on subsequent milkings.
- Heavy, stainless steel inner and outer tank. Big radius round corners in inner tank. Recessed drain.
- Greaseless agitator motor. No drip or seepage. Dry gears.
- Remote control panel at eye height. Switches stay dry, even during wash-down of milk houses. Out of way of children.
- Made in 160 gallon to 500 gallon capacities.

See these new Jamesway Coolers before you buy. You'll be glad you did. They're designed right, built right . . . for years of service.

The Only Jamesway Bulk Tank

Dealer in Lancaster County

LANDIS BROS.

Farm Equipment Sales and Service

MANHEIM PIKE

Ph. EX 3-3906